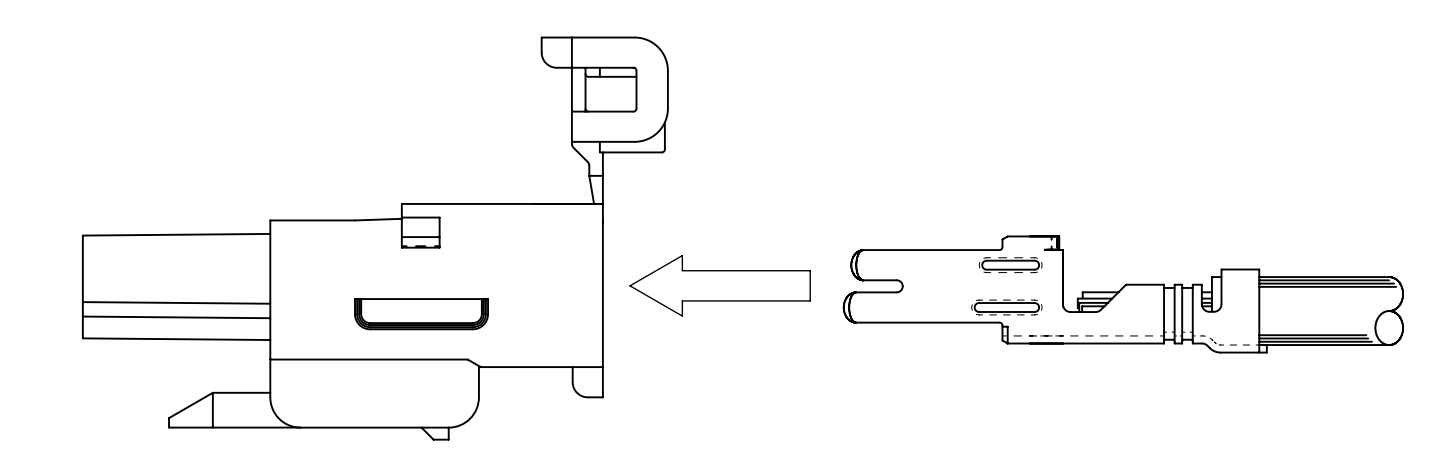
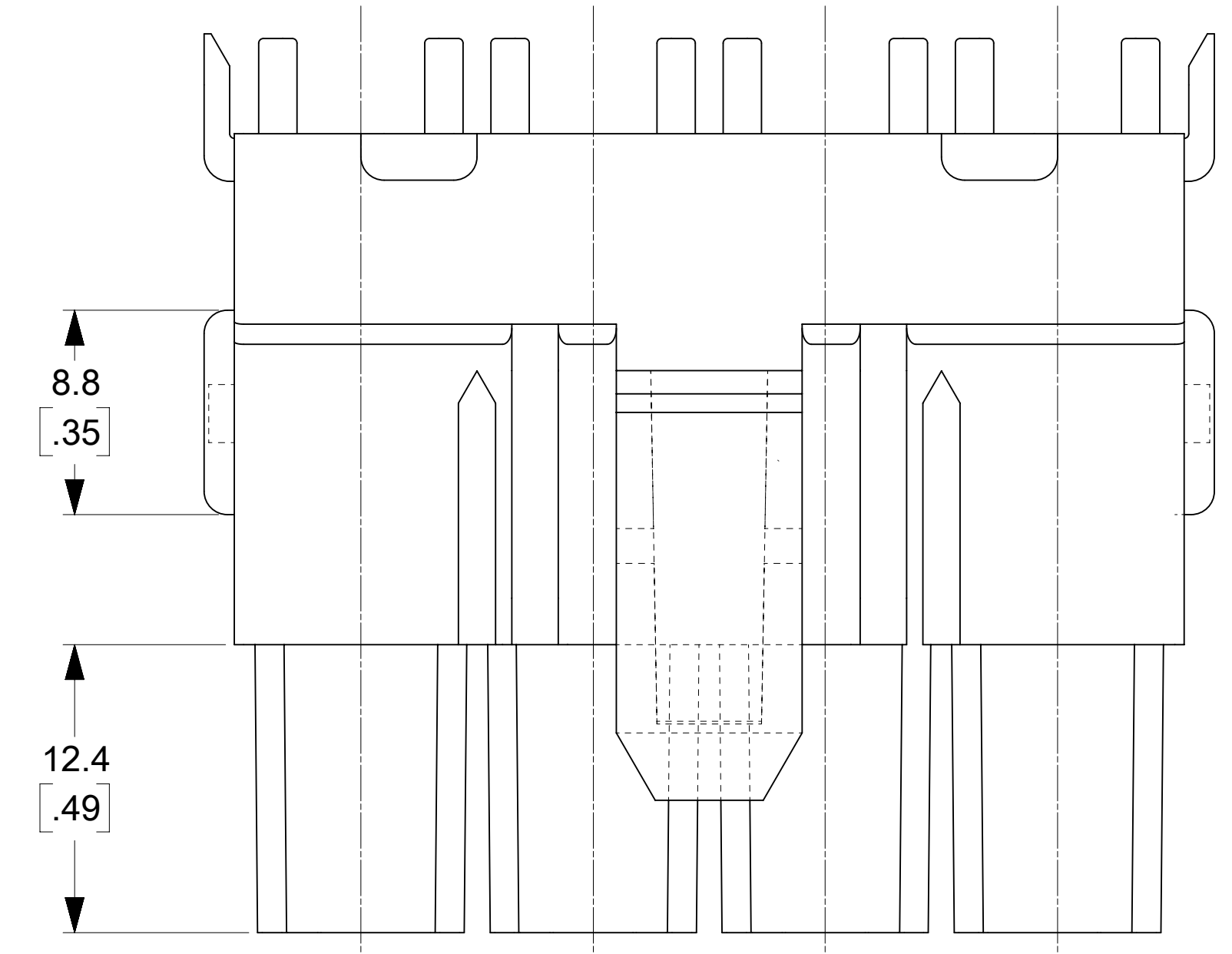
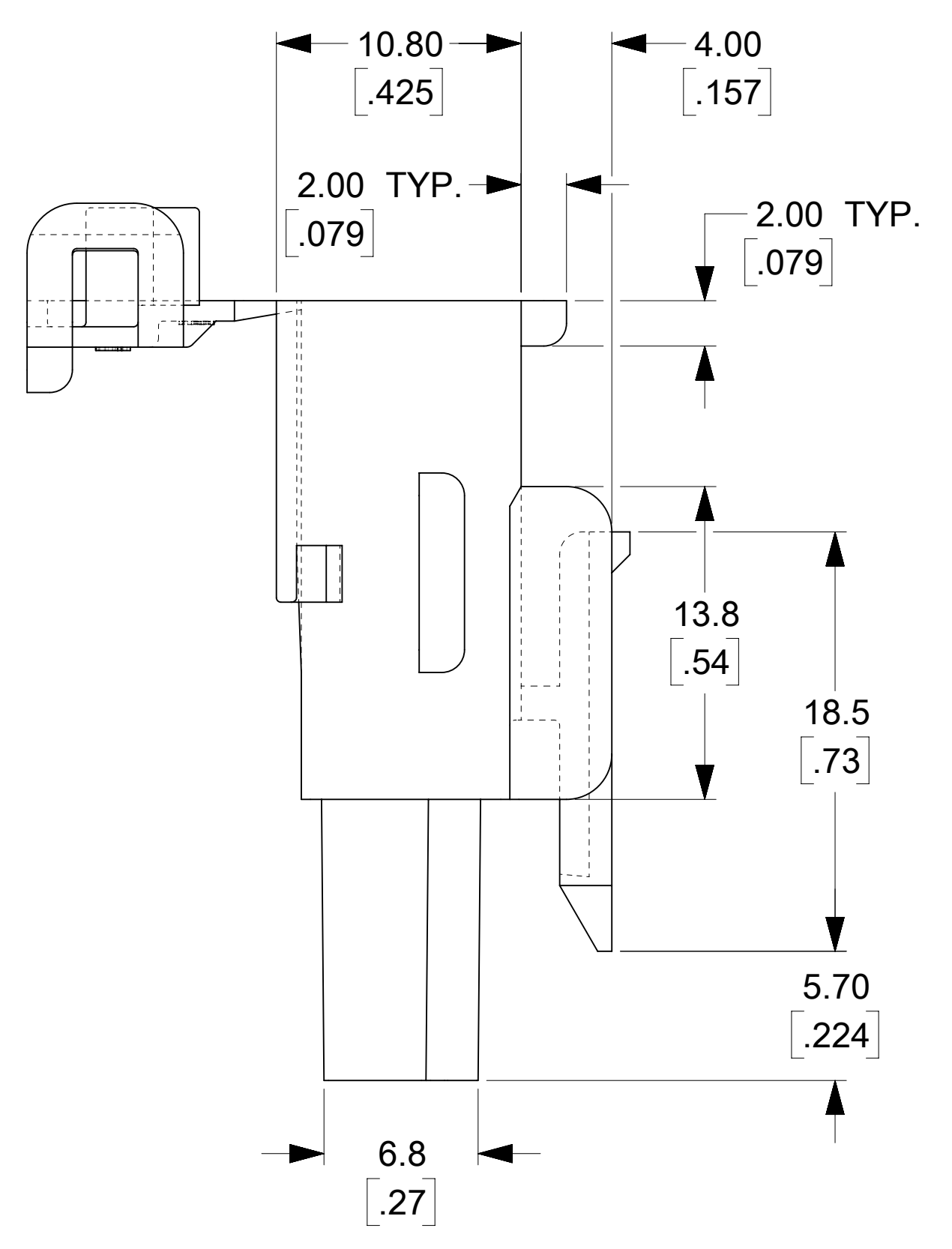
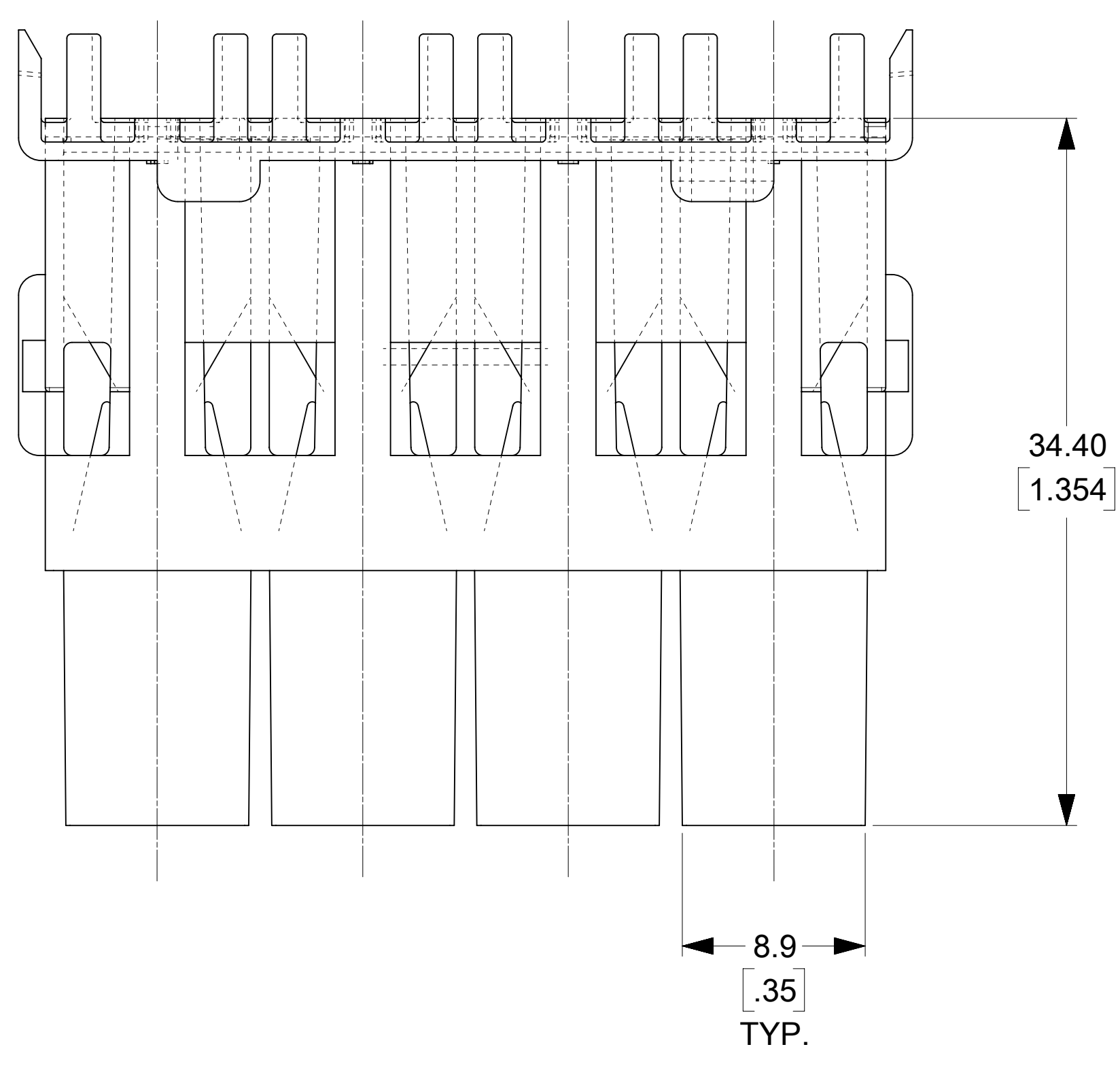
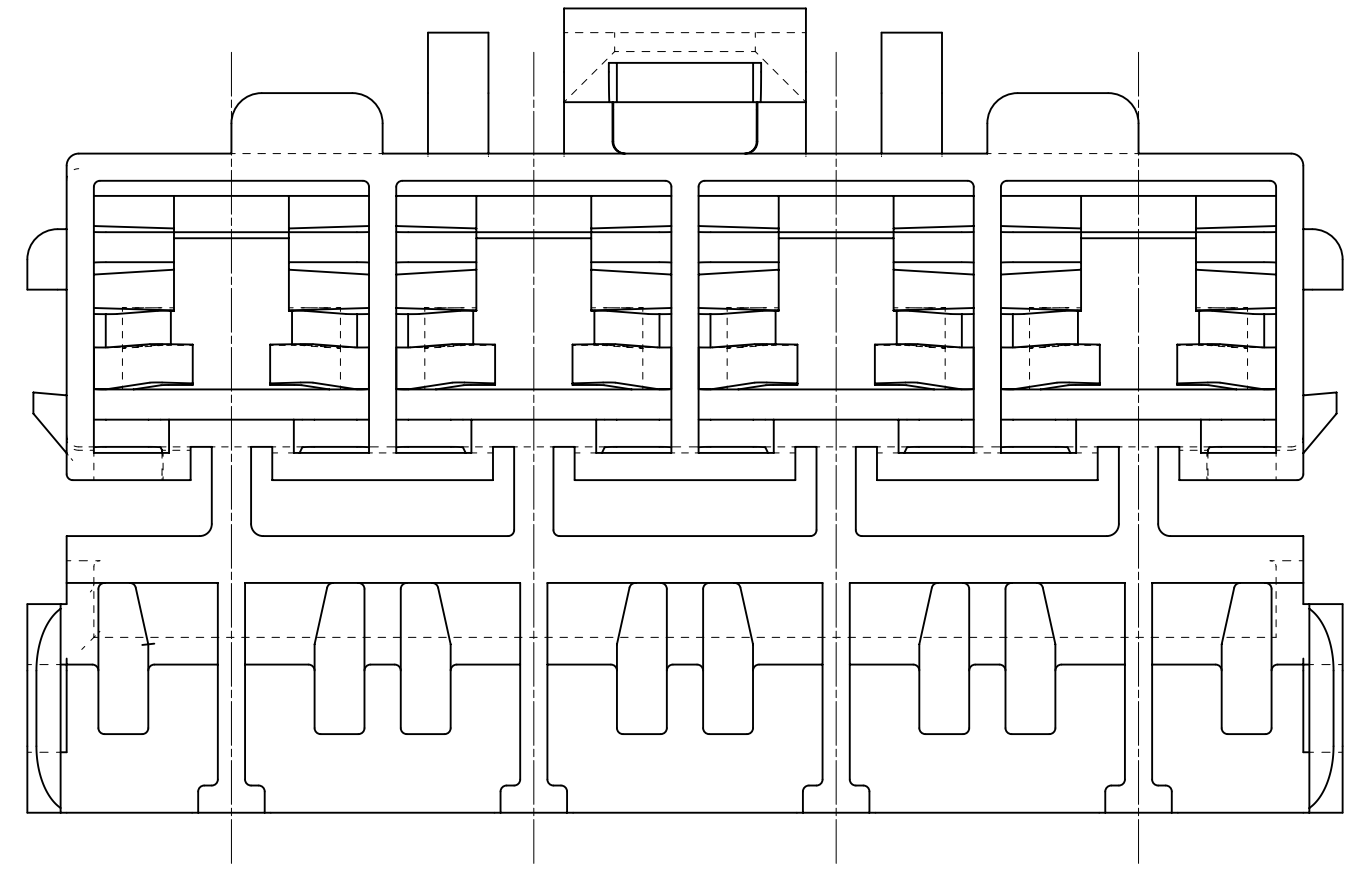
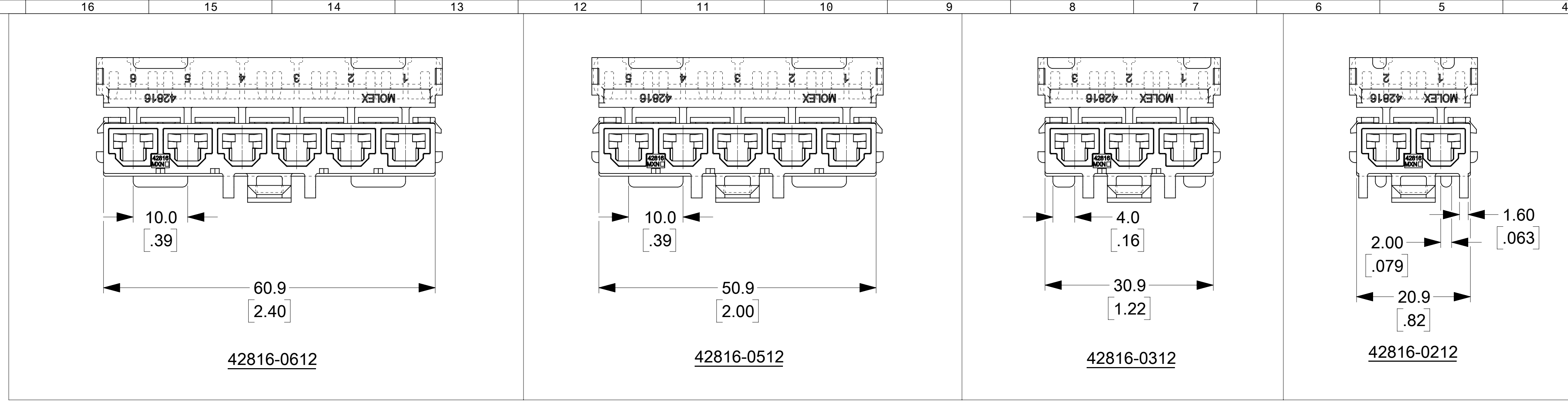
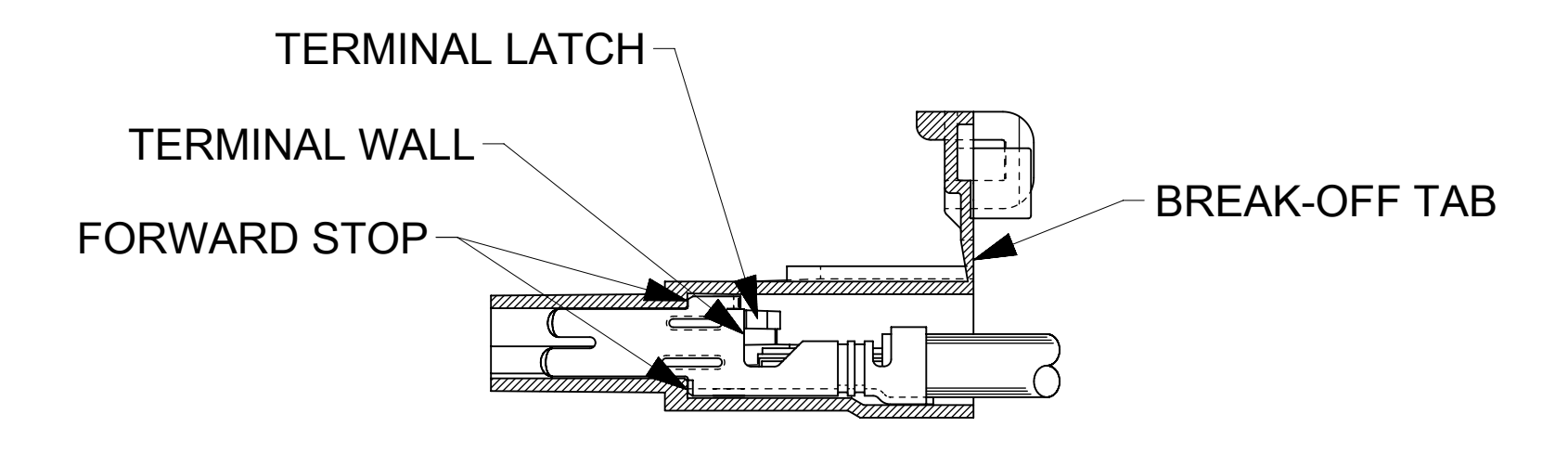


ITEM NUMBER	CIRCUIT SIZE	A
42816-0212	2	12.7
42816-0312	3	19.1
42816-0412	4	25.4
42816-0512	5	31.7
42816-0612	6	38.1

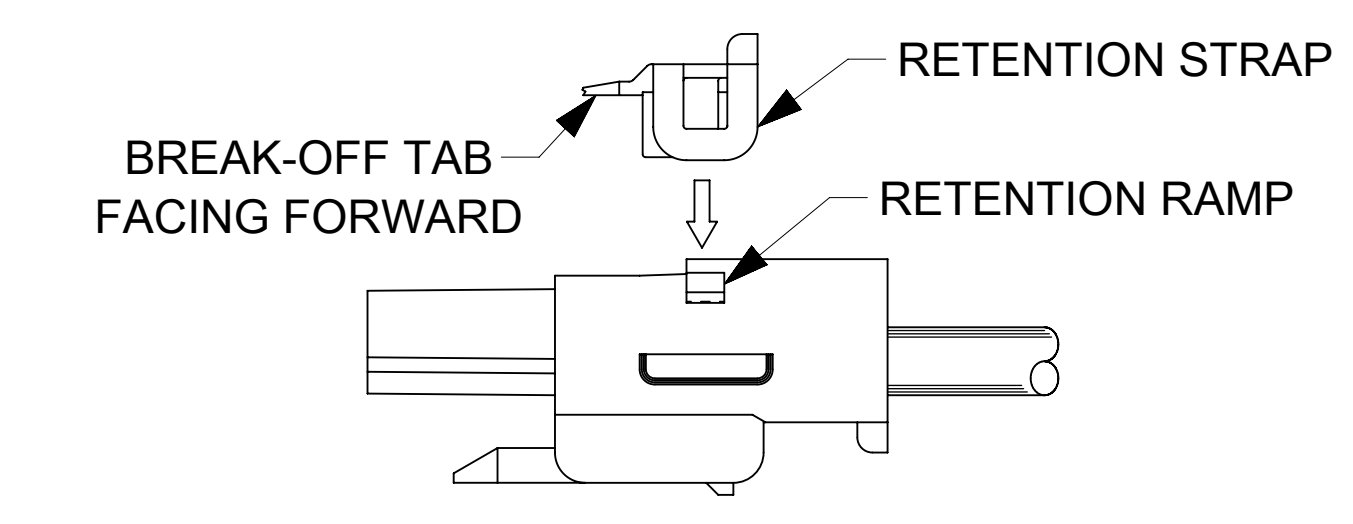
LEGEND:
 42816- ** 1 2
 CIRCUIT SIZE (02-06)
 T.P.A. OPTION
 2 = WITH T.P.A.



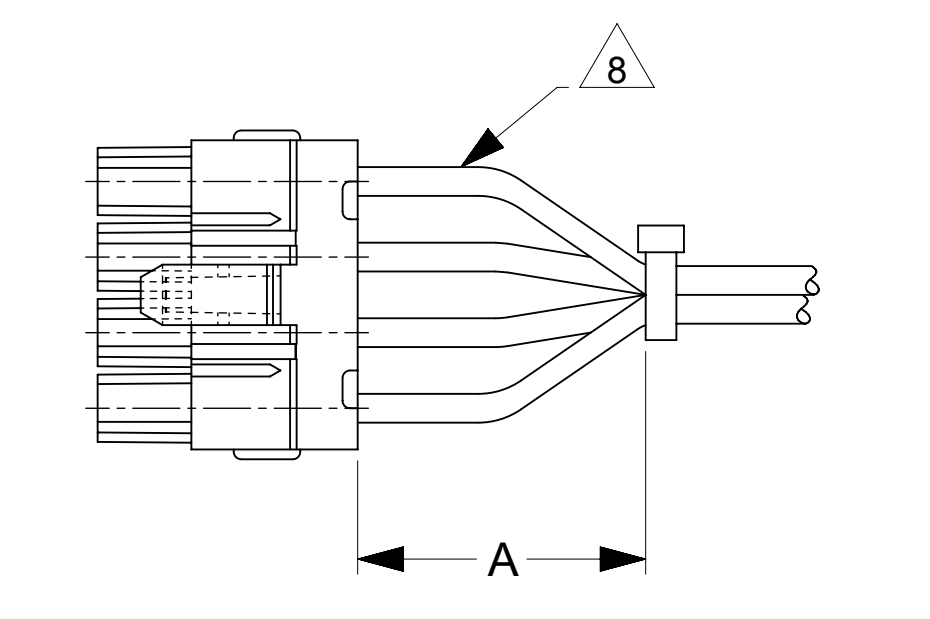
1. TERMINALS ARE TO BE ORIENTATED AND LOADED INTO HOUSING AS SHOWN.



2. TERMINALS ARE LOADED WHEN SEATED AGAINST FORWARD STOP AND TERMINAL LATCHED ARE SNAPPED BEHIND TERMINAL WALLS. RETENTION FORCE AT THIS STAGE = 0.5 Kg.



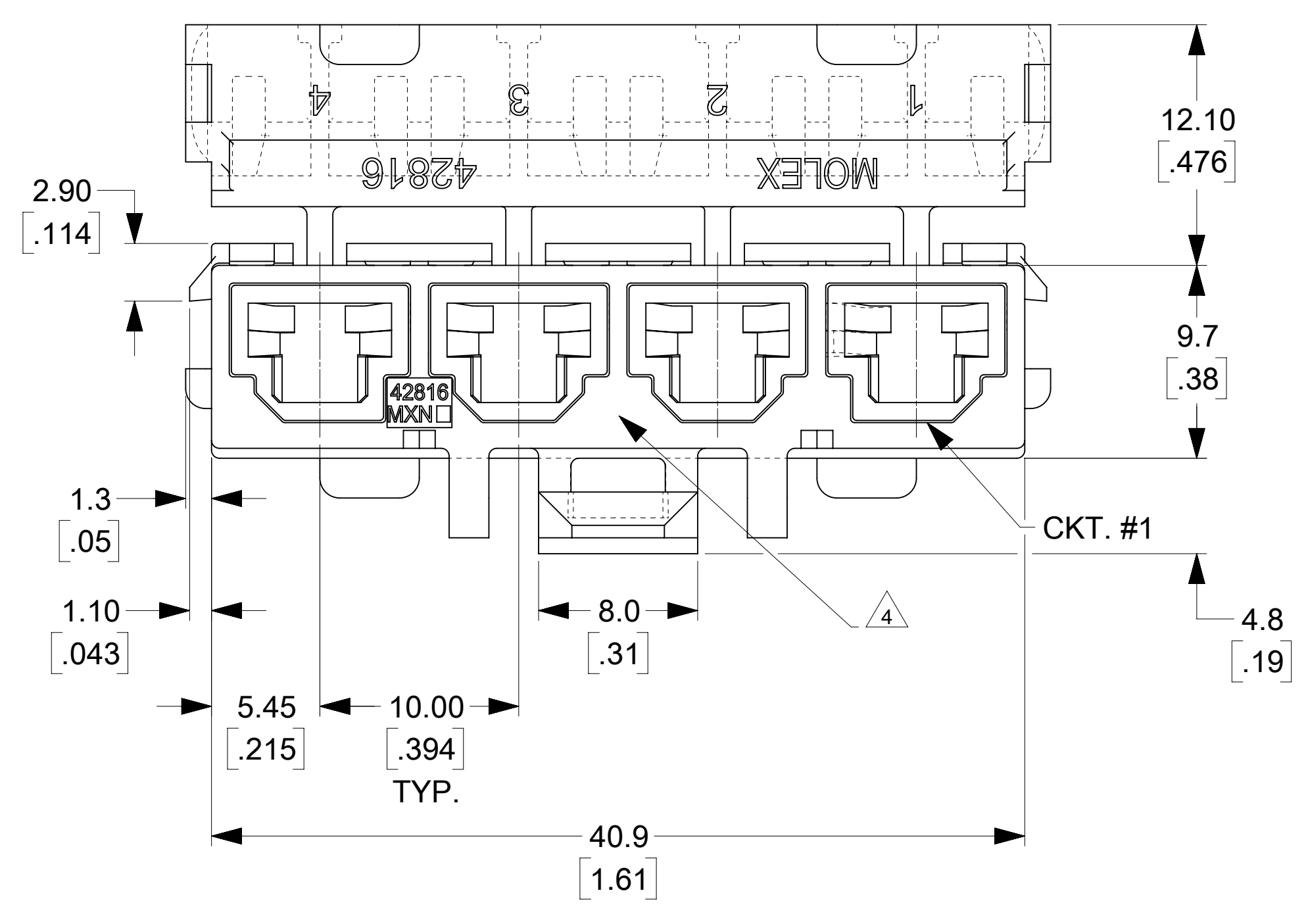
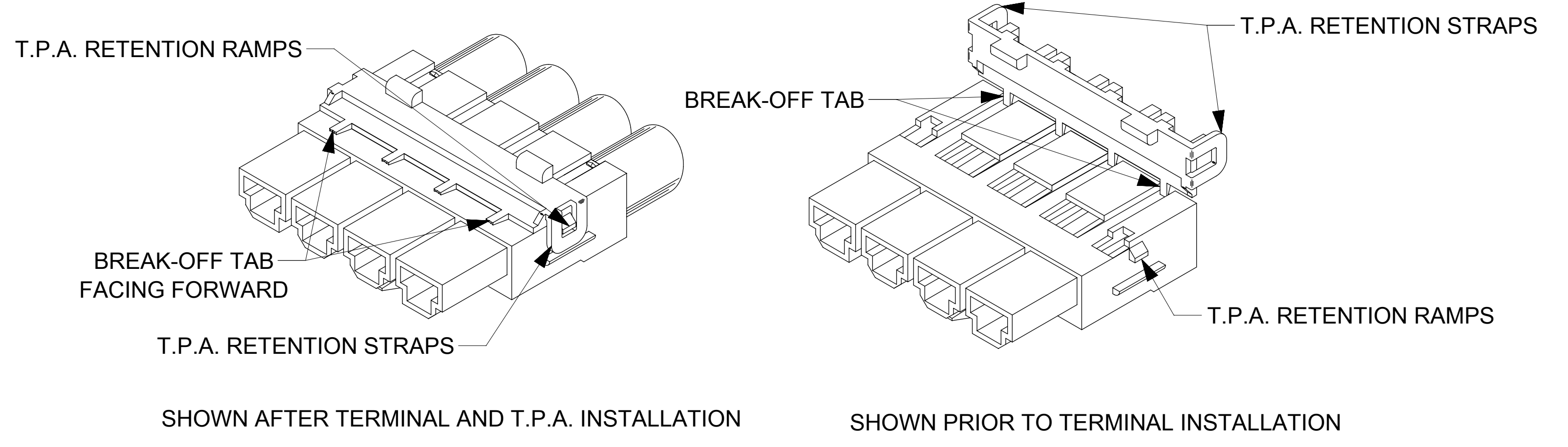
3. AFTER TERMINALS ARE LOADED INTO HOUSING, T.P.A. IS TO BE "BROKEN OFF", ORIENTATED AND INSTALLED IN THE DIRECTION SHOWN UNTIL THE RETENTION STRAPS SNAP OVER THE RETENTION RAMPS. THIS PRODUCT MUST NEVER BE USED WITHOUT THE INSTALLATION OF THE T.P.A.



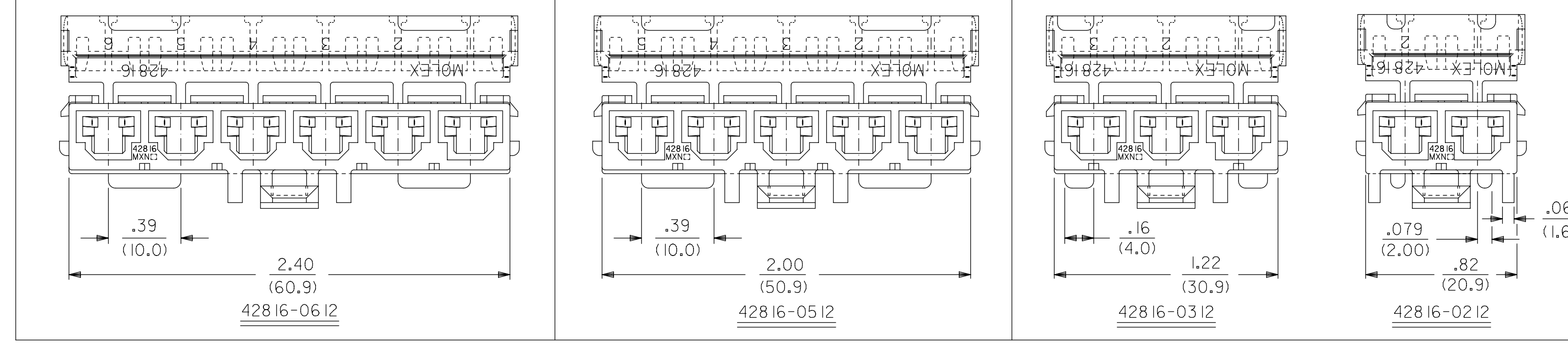
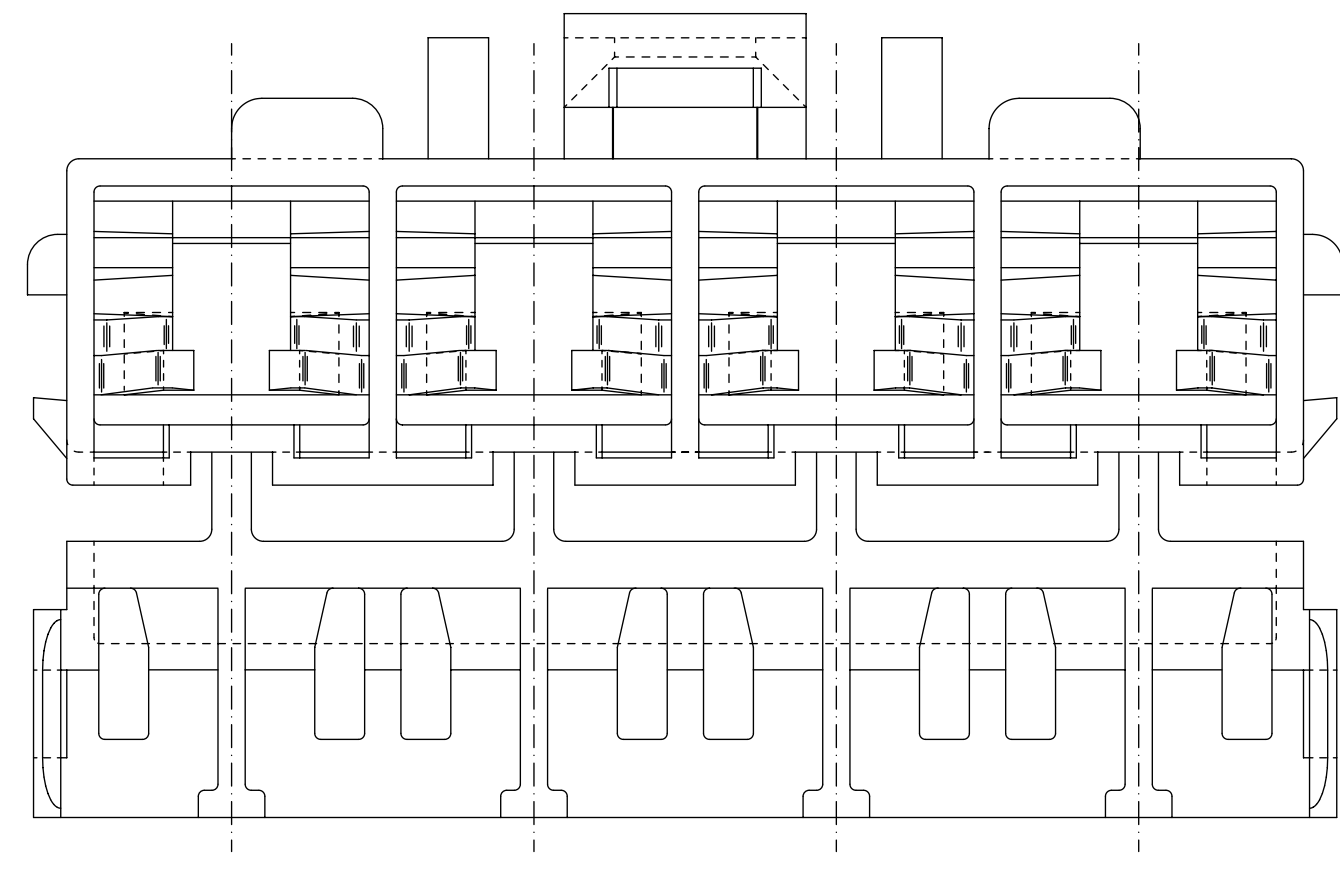
RECOMMENDED WIRE DRESSING SCHEME

*** THIS PRODUCT MUST NEVER BE USED WITHOUT THE T.P.A ***

- NOTES:
- MATERIAL:
1 = POLYESTER, PBT, U.L. 94V-0, COLOR: MOLDED BLACK.
 - PART IS FOR USE WITH FEMALE CRIMP TERMINAL #42815.
 - PART IS DESIGNED IN METRIC.
 - NO CORE-OUTS UNDER LATCH ON 2, 4 & 6 CIRCUIT PARTS.
 - PART MATES WITH MINI-FIT SR. PLUG 42818-***2.
 - ITEM NUMBERS THAT ARE PRECEDED BY AN "X" ARE NOT AVAILABLE.
 - DUE TO THE BREAKAWAY DESIGN OF THE T.P.A. COVER, A FEW MAY HAVE PREMATURELY SEPARATED FROM THEIR HOUSINGS DURING SHIPMENT. IF A HOUSING IS MISSING A T.P.A. COVER, IT CAN BE FOUND IN THE SHIPPING CONTAINER.
 - EACH WIRE MUST BE DRESSED SUCH THAT THE TERMINAL MAINTAINS ITS FREE FLOAT WITHIN THE HOUSING. SEE CHART FOR RECOMMENDED CABLE TIE PALCEMENT.
 - FOR PACKAGING INFORMATION SEE PK-42816-002.
 - THIS DRAWING REPLACES SD-42816-***2, REV-E3.



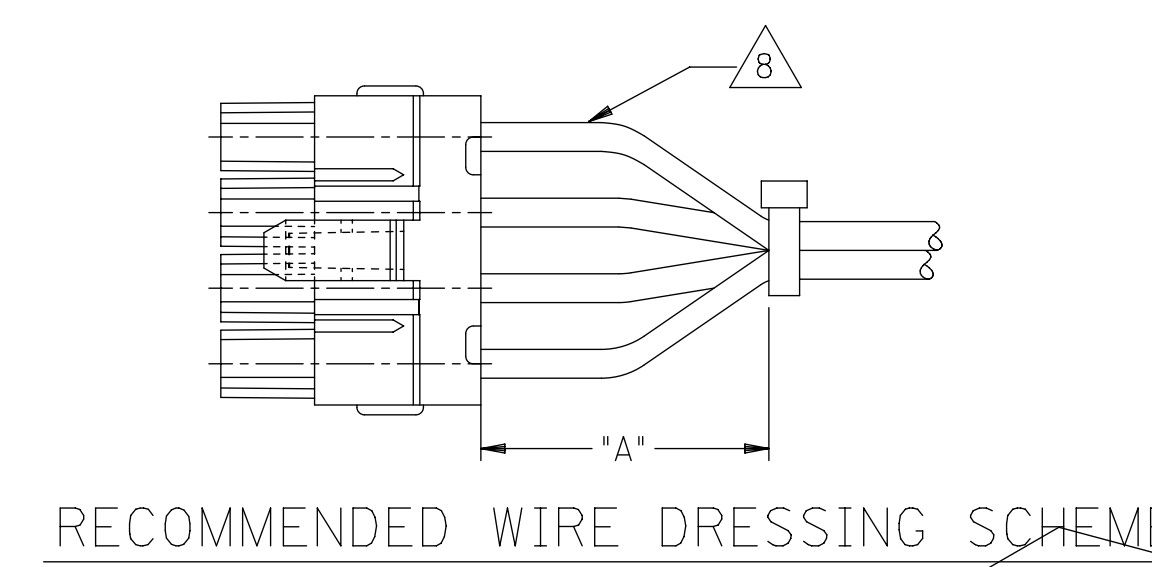
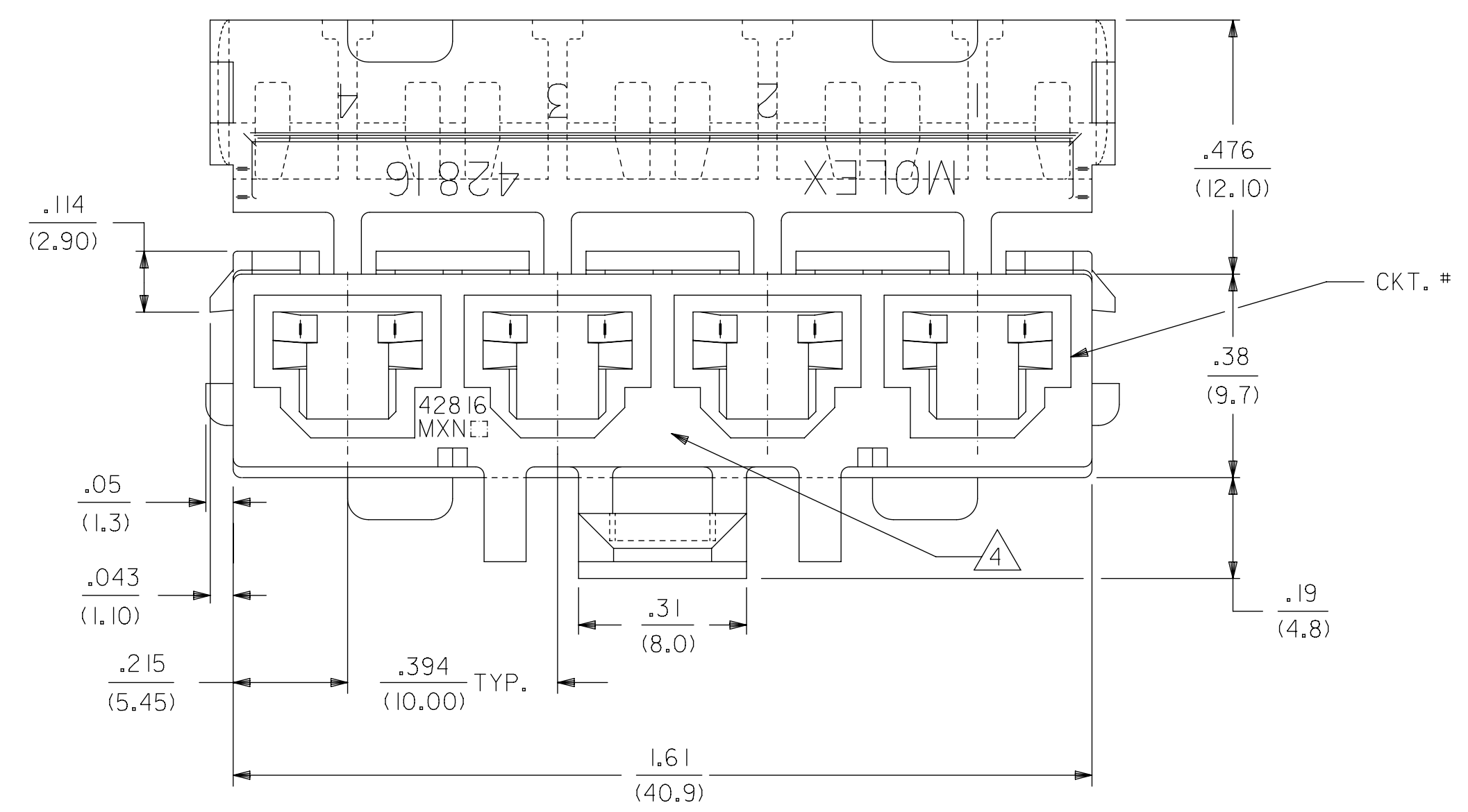
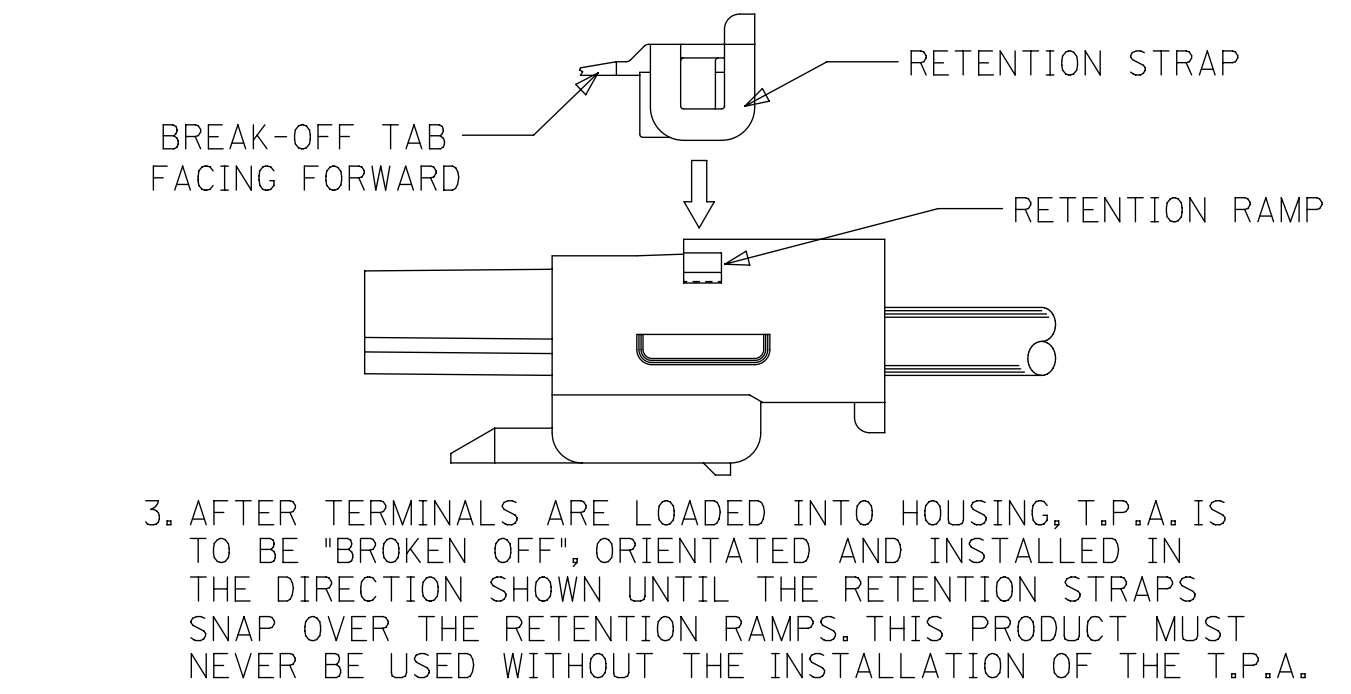
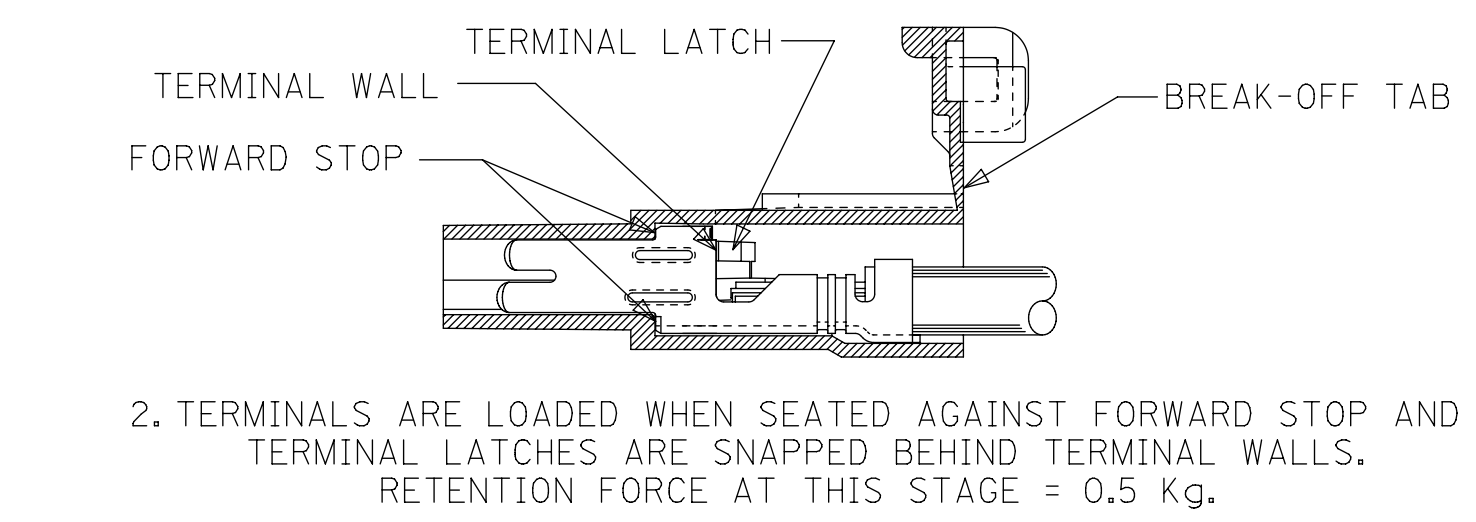
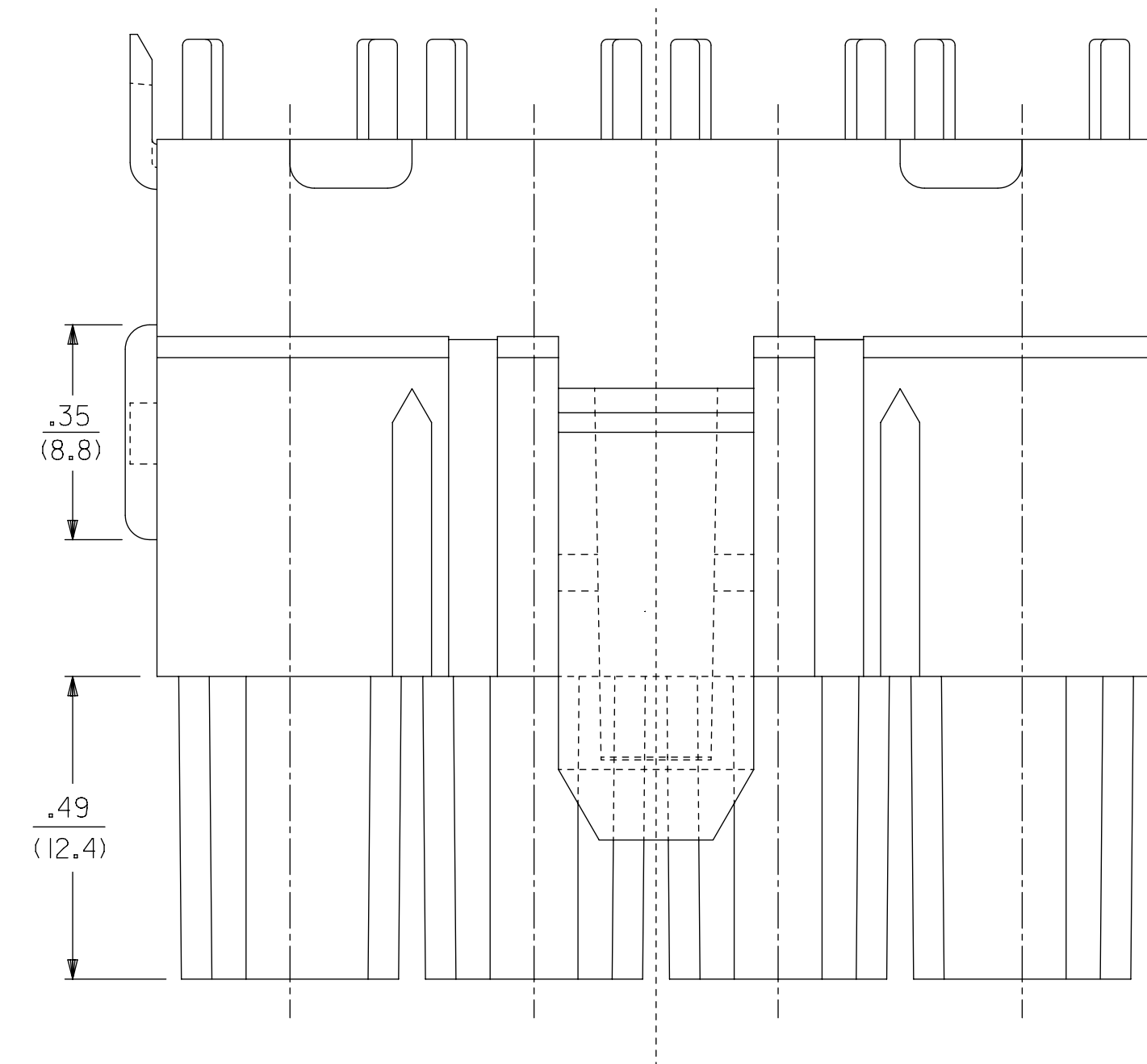
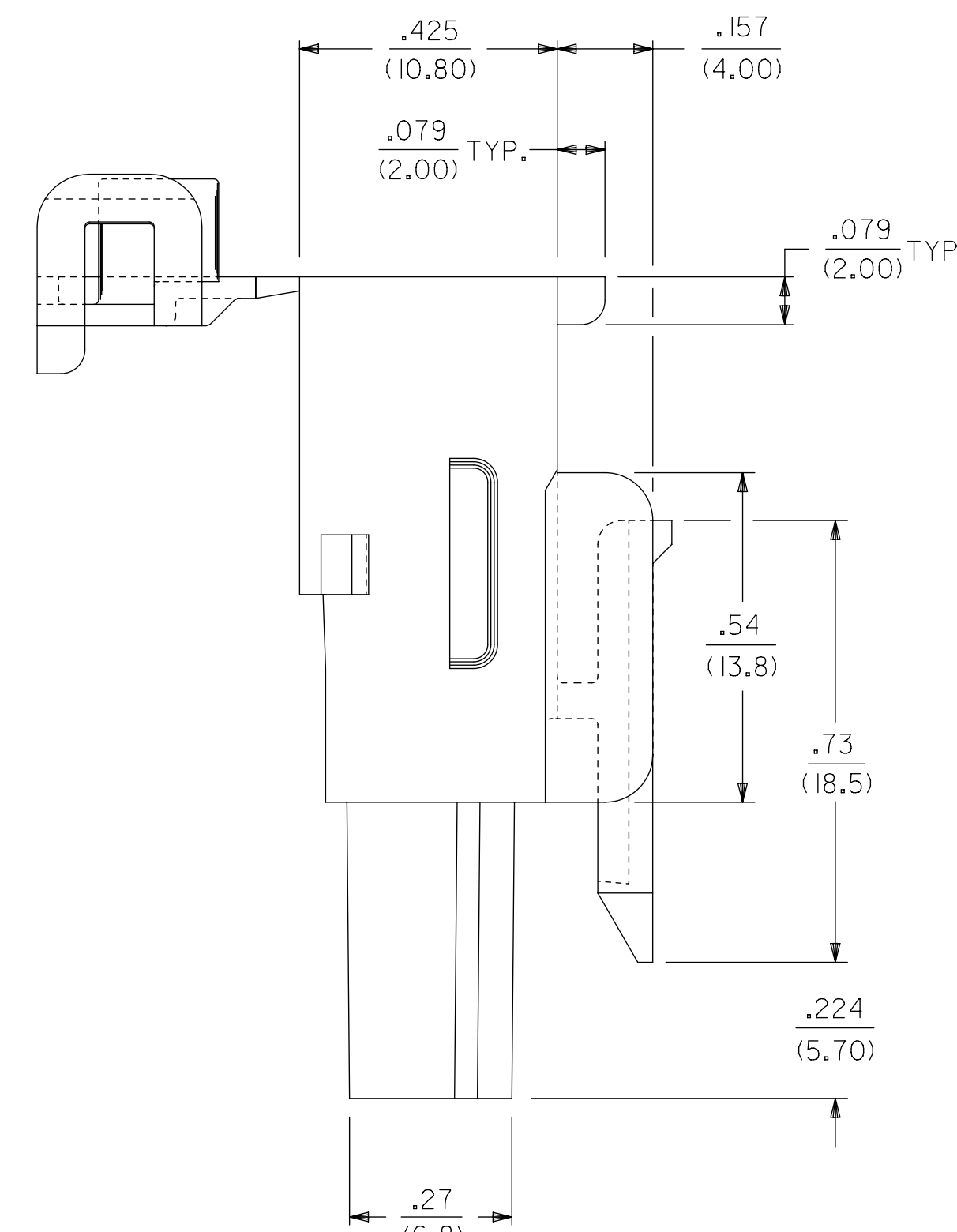
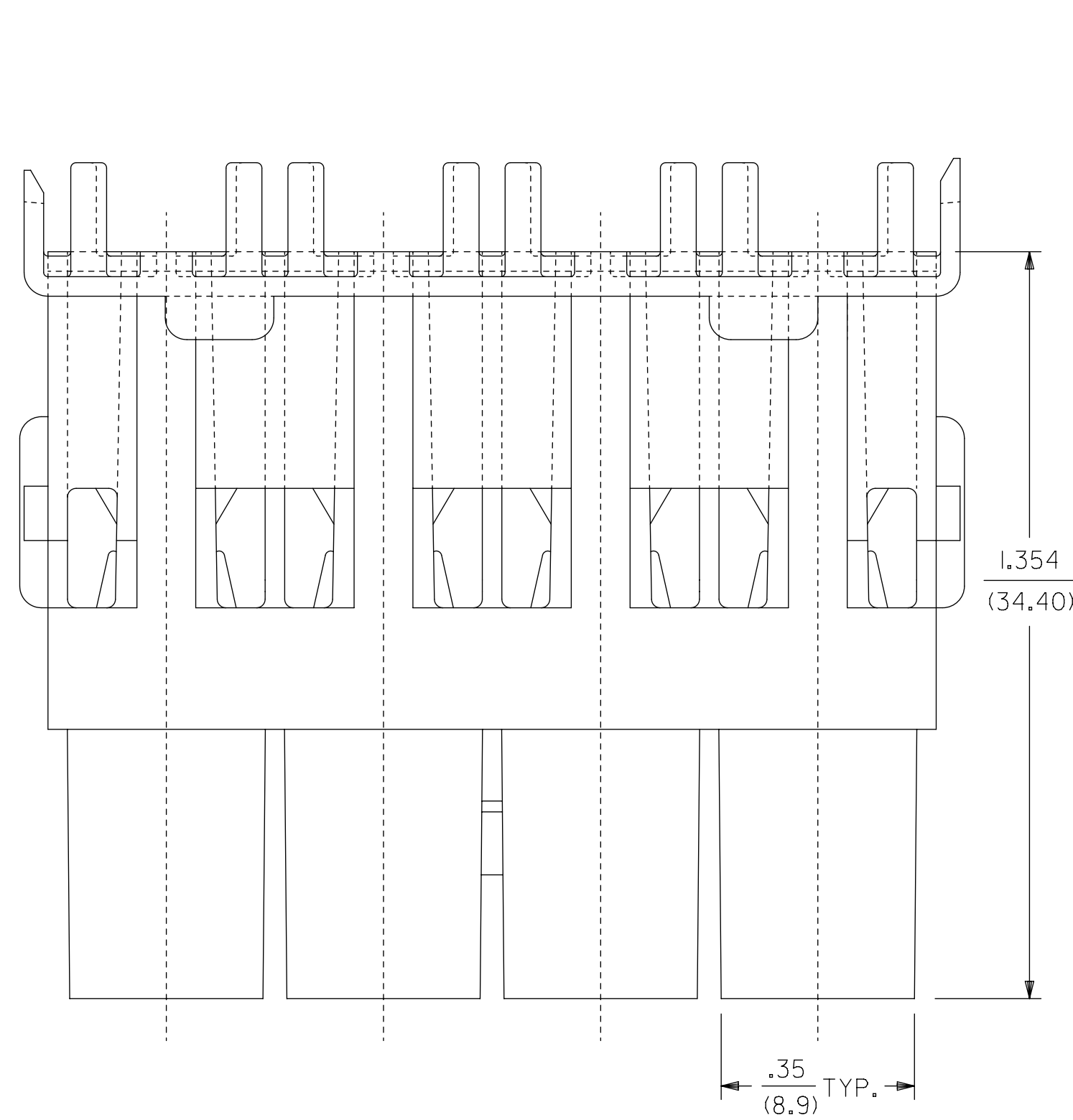
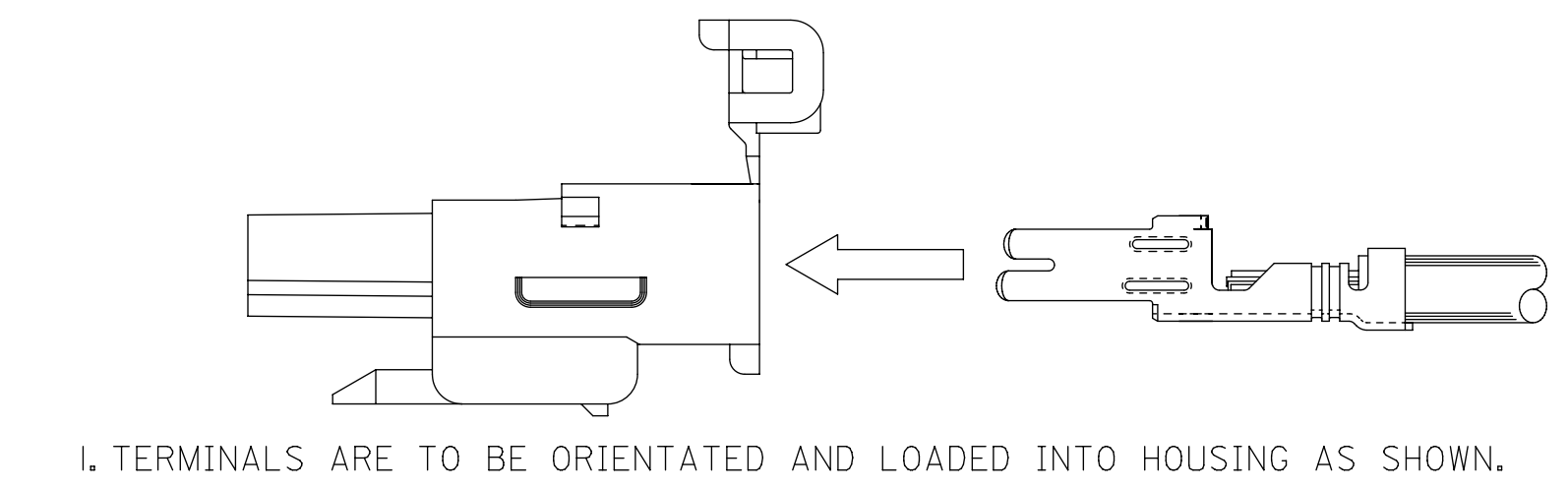
THIS DRAWING CONTAINS INFORMATION THAT IS PROPRIETARY TO MOLEX ELECTRONIC TECHNOLOGIES, LLC AND SHOULD NOT BE USED WITHOUT WRITTEN PERMISSION		CURRENT REV DESC:		molex	
DIMENSION UNITS	SCALE	EC NO: 635046			
MM/IN	4:1	DRWN: PKH		MINIFIT SR RECEPTACLE HOUSING W/TPA 10MM CENTERS	
GENERAL TOLERANCES (UNLESS SPECIFIED)		2020/03/31		PRODUCT CUSTOMER DRAWING	
4 PLACES	±	2020/03/31		DOCUMENT NUMBER	
3 PLACES	±	2020/03/31		428160002-SD	
2 PLACES	± 0.25 ± 0.016	2020/03/31		DOC TYPE	
1 PLACE	± 0.4 ±	INITIAL REVISION:		PSD 000	
0 PLACES	±	DRWN: AELHAG		REVISION	
ANGULAR TOL	± 0.5 °	2010/06/16		B1	
DRAFT WHERE APPLICABLE MUST REMAIN WITHIN DIMENSIONS		2010/06/29		MATERIAL NUMBER	
THIRD ANGLE PROJECTION		SERIES		CUSTOMER	
E-SIZE		42816		GENERAL MARKET	
SEE CHART		SEE CHART		SHEET NUMBER	
GENERAL MARKET		GENERAL MARKET		1 OF 1	



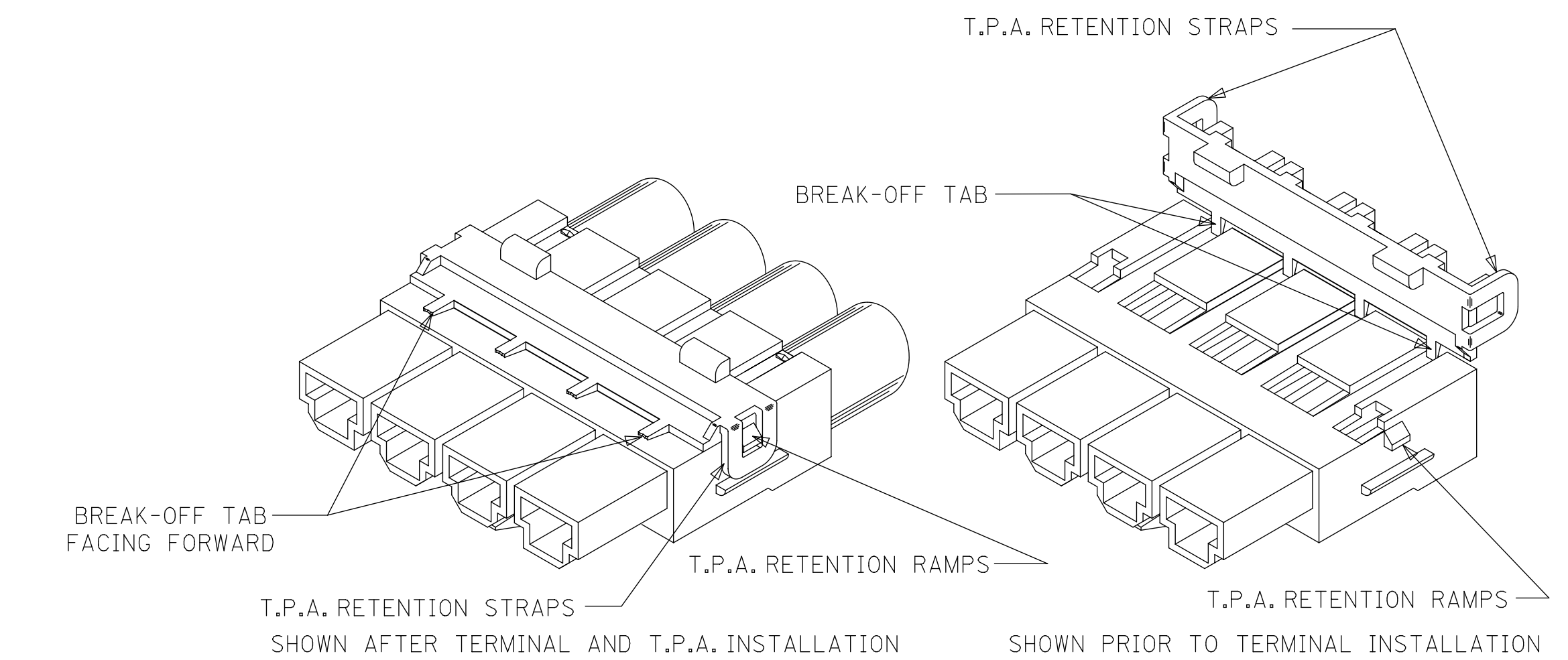
ITEM NUMBER	CIRCUIT SIZE	"A"
42816-02 I2	2	12.7
42816-03 I2	3	19.1
42816-04 I2	4	25.4
42816-05 I2	5	31.7
42816-06 I2	6	38.1

LEGEND:
 42816 - 1 2
 CIRCUIT SIZE (02-06)
 T.P.A. OPTION
 2 = WITH T.P.A.

SEE 428160002SD IN ECTR



PRE-RELEASE
REFERENCE
USE ONLY



- NOTES:**
- MATERIAL:
1 = POLYESTER, PBT, UL, 94V-0, COLOR: MOLDED BLACK.
 - PART IS FOR USE WITH FEMALE CRIMP TERMINAL *42815.
 - PART IS DESIGNED IN METRIC.
 - NO CORE-OUTS UNDER LATCH ON 2,4 & 6 CIRCUIT PARTS.
 - PART MATES WITH MINI-FIT SR, PLUG 42818-***2.
 - ITEM NUMBERS THAT ARE PRECEDED BY AN 'X' ARE NOT AVAILABLE.
 - DUE TO THE BREAKAWAY DESIGN OF THE T.P.A. COVER, A FEW MAY HAVE PREMATURELY SEPARATED FROM THEIR HOUSINGS DURING SHIPMENT. IF A HOUSING IS MISSING A T.P.A. COVER, IT CAN BE FOUND IN THE SHIPPING CONTAINER.
 - EACH WIRE MUST BE DRESSED SUCH THAT THE TERMINAL MAINTAINS ITS FREE FLOAT WITHIN THE HOUSING. SEE CHART FOR RECOMMENDED CABLE TIE PLACEMENT.
 - FOR PACKAGING INFORMATION SEE PK-42816-002

* THIS PRODUCT MUST NEVER BE USED WITHOUT THE T.P.A. *

DIMENSION UNITS		SCALE	CURRENT REV DESC:	
mm		1:1		
GENERAL TOLERANCES (UNLESS SPECIFIED)				
ANGULAR TOL	±	0.5°		
4 PLACES	±			
3 PLACES	±			
2 PLACES	±	0.25		
1 PLACE	±	0.4		
0 PLACES	±			
DRAFT WHERE APPLICABLE MUST REMAIN WITHIN DIMENSIONS		THIRD ANGLE PROJECTION	DRAWING SERIES	MATERIAL NUMBER
			A0-SIZE	42816
			SEE CHART	GENERAL MARKET
				SHEET NUMBER
				1 OF 1

molex

RECEPT. HOUSING
SINGLE ROW MINIFIT SR.

PRODUCT CUSTOMER DRAWING

DOCUMENT NUMBER	DOC TYPE	DOC PART	REVISION
SD-42816-XXX2	PSD	001	F1

DRAWING	SERIES	MATERIAL NUMBER	CUSTOMER	SHEET NUMBER
A0-SIZE	42816	SEE CHART	GENERAL MARKET	1 OF 1

DOCUMENT STATUS	RELEASE DATE