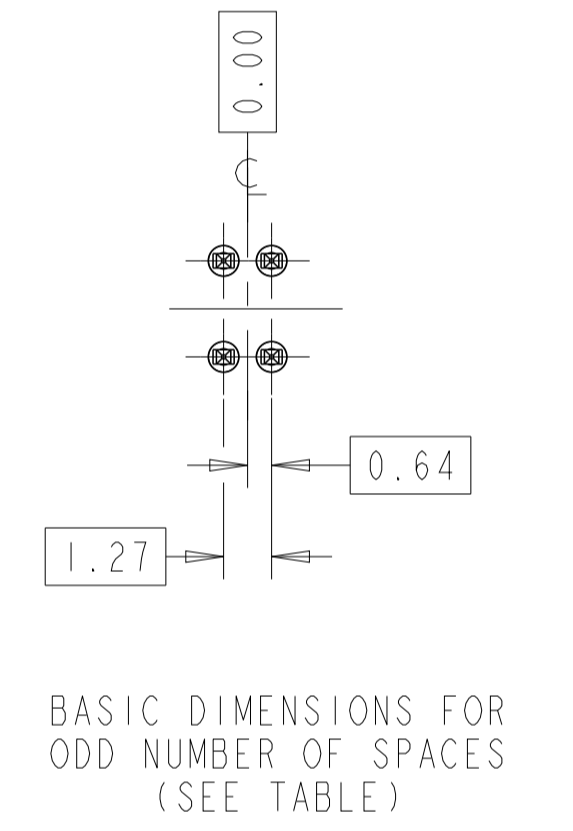
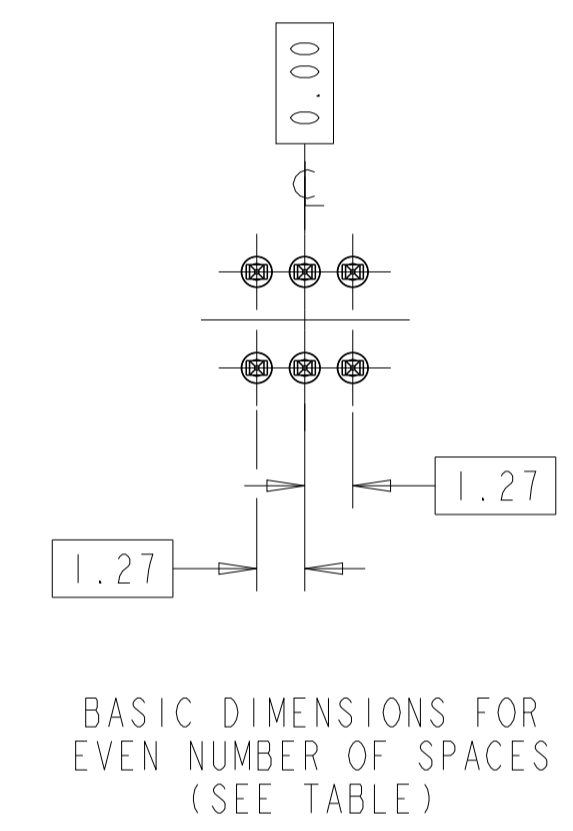
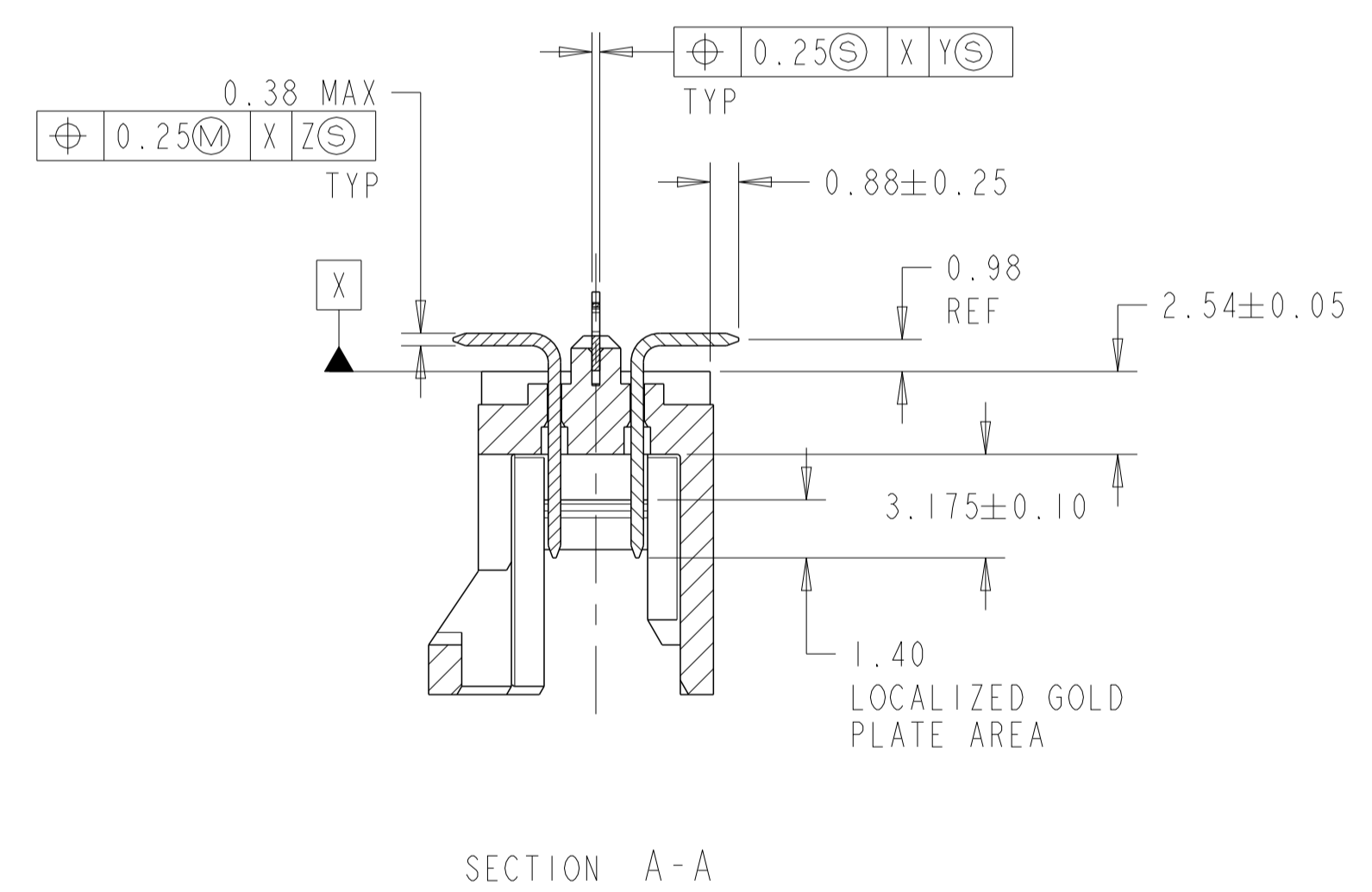
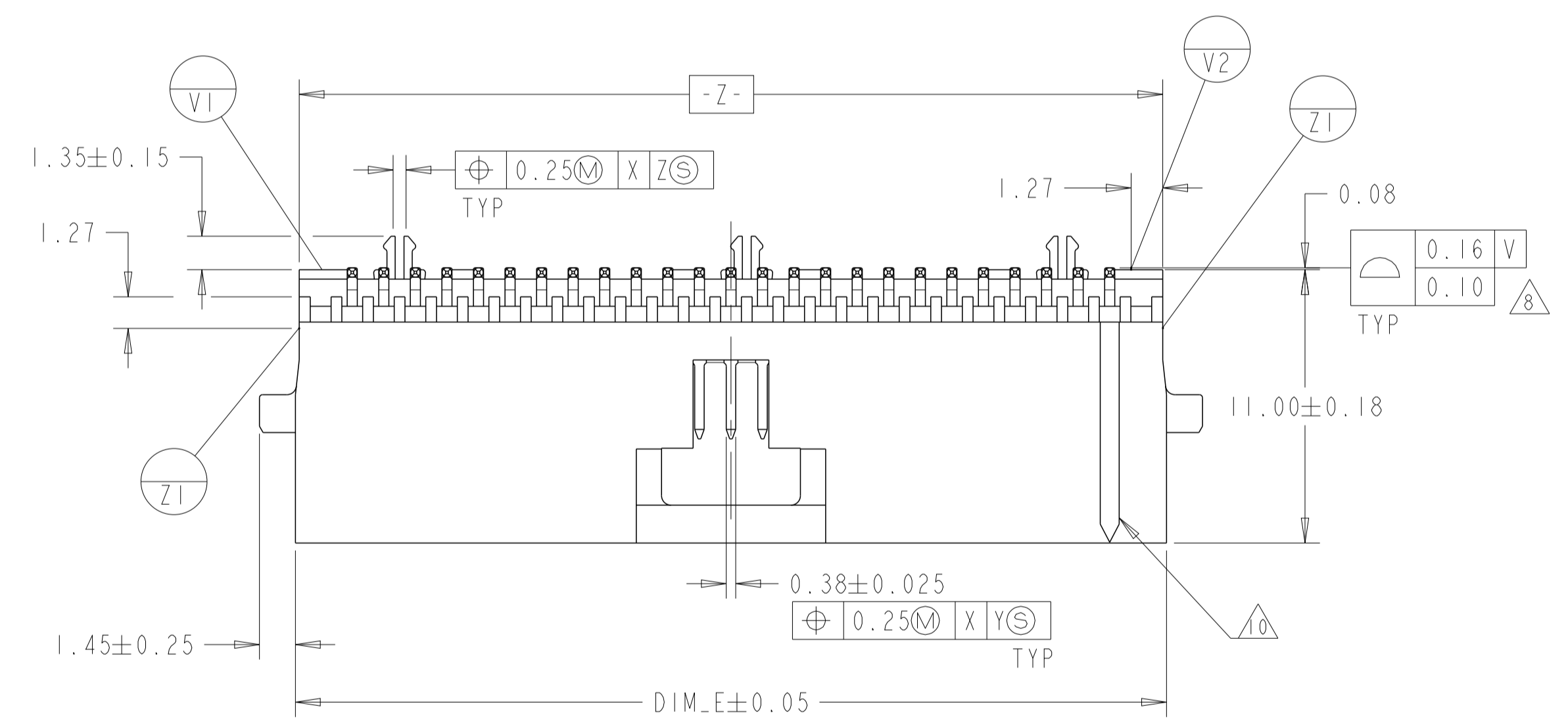
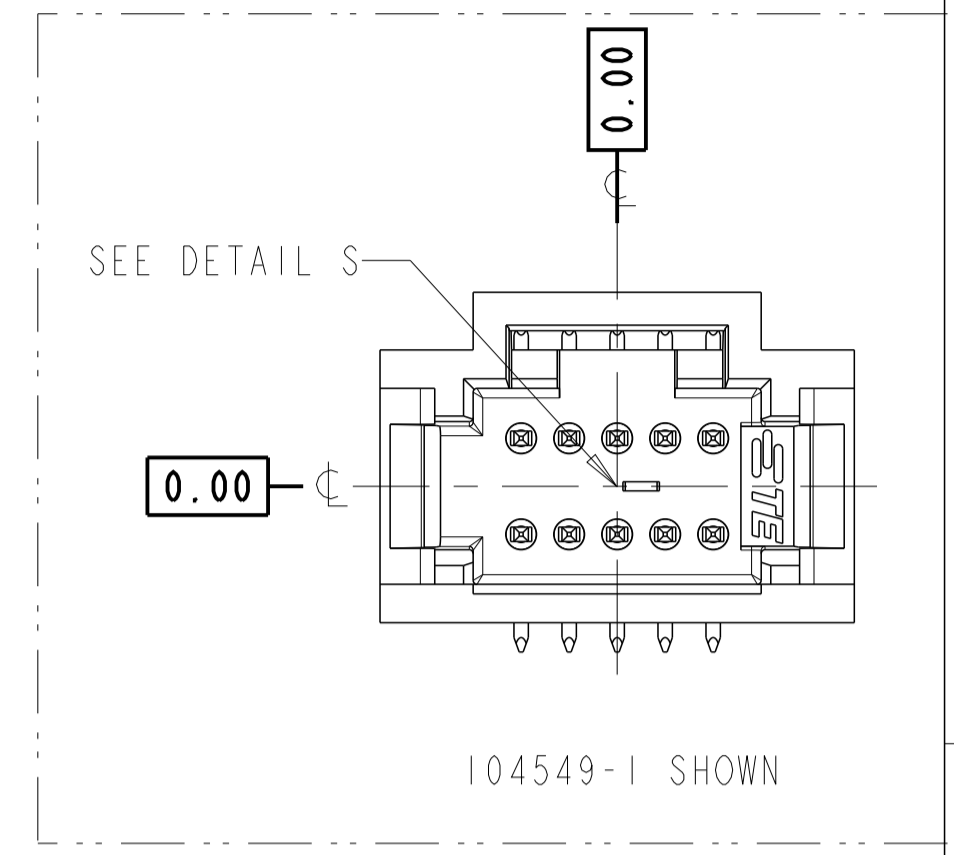
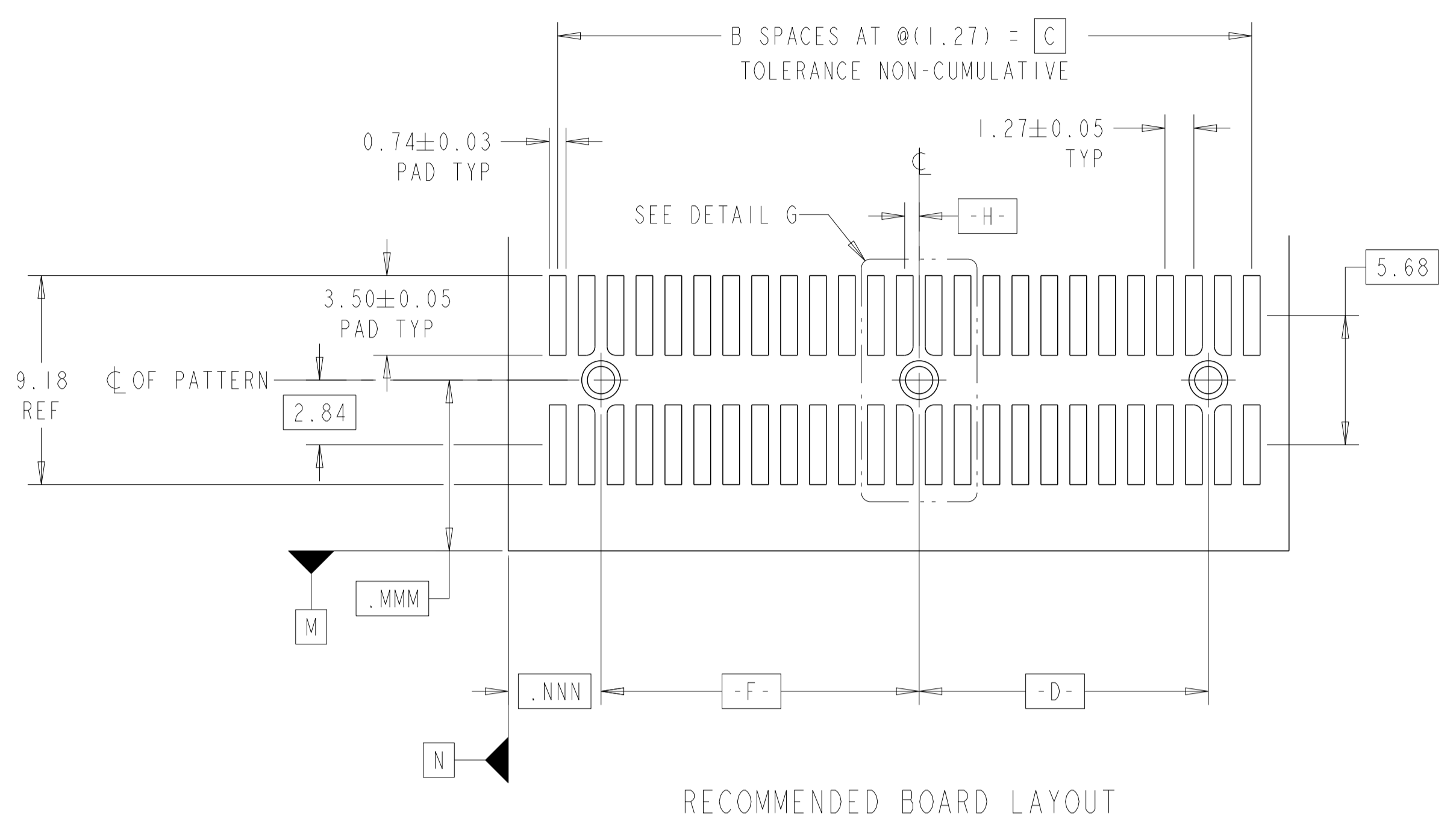
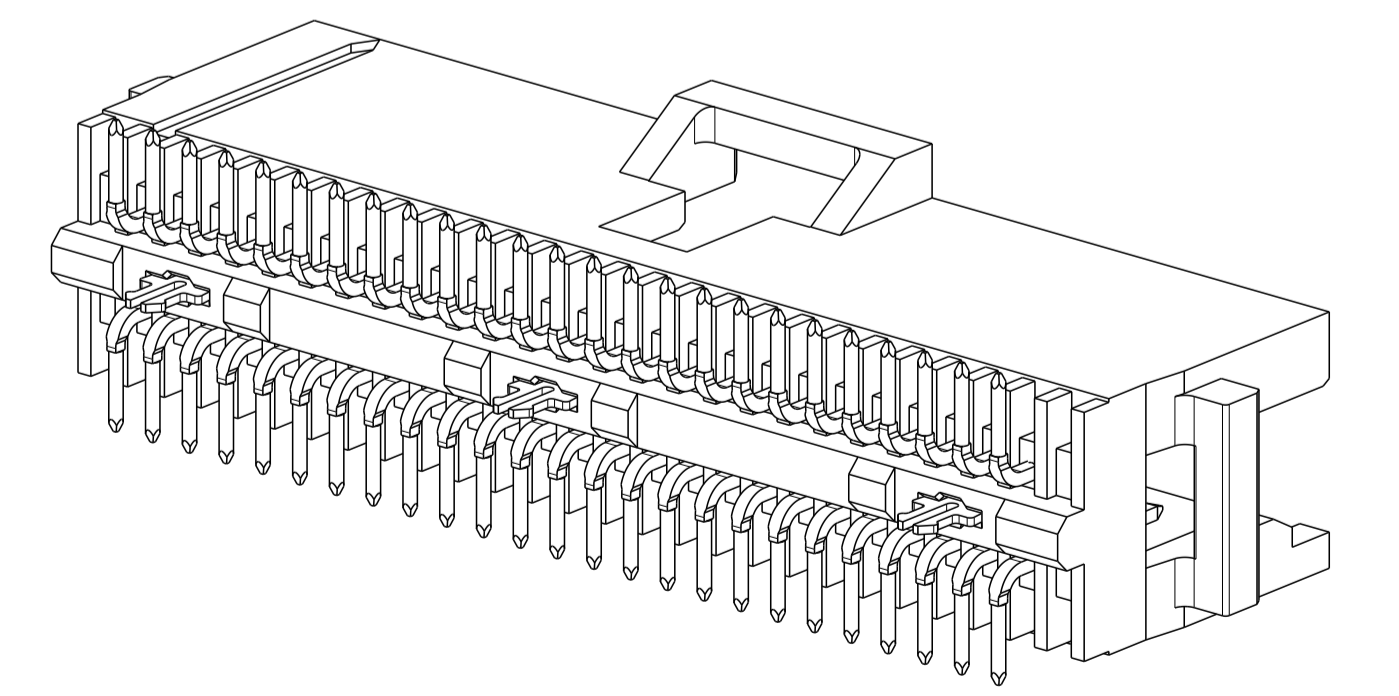
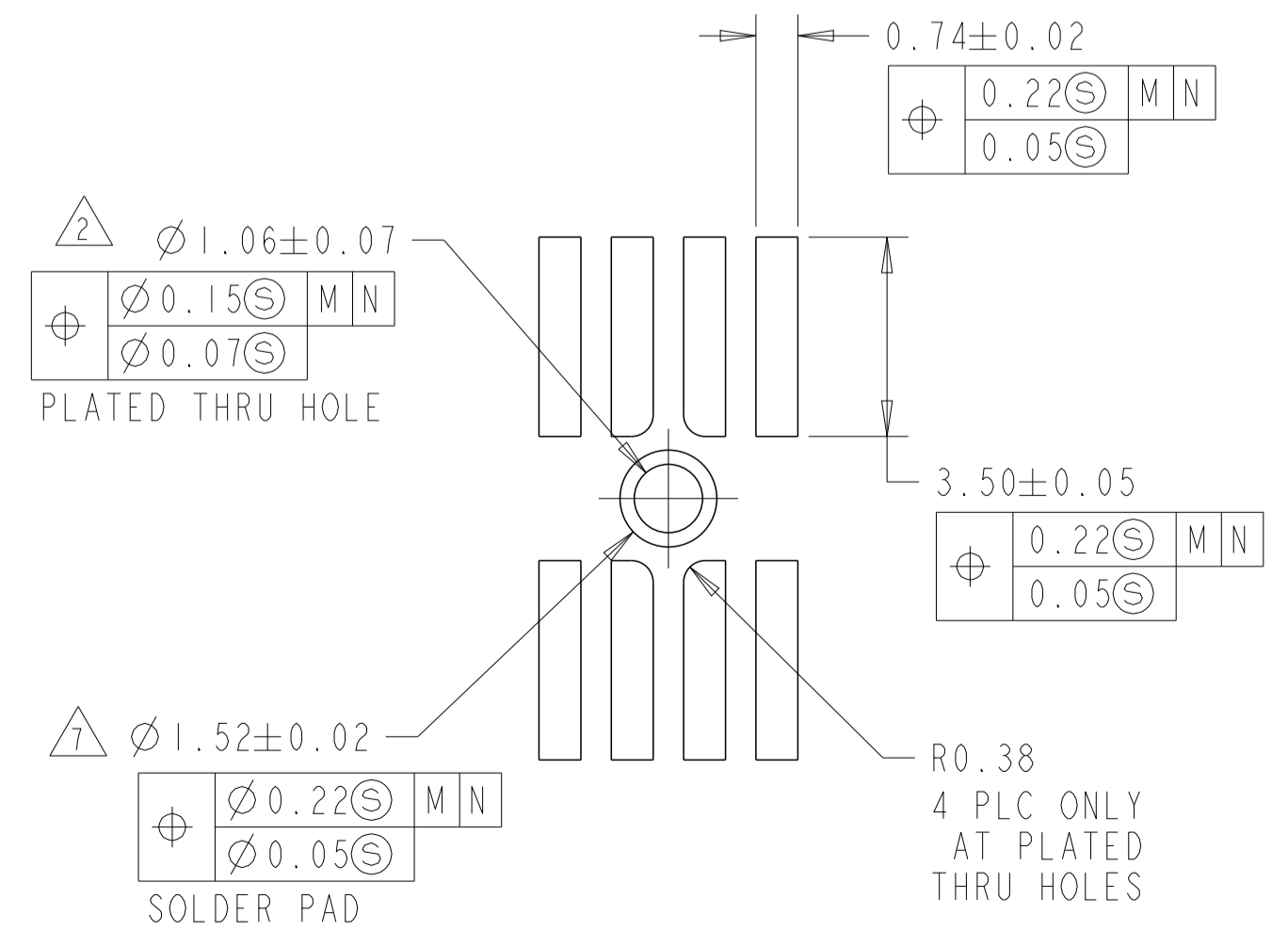
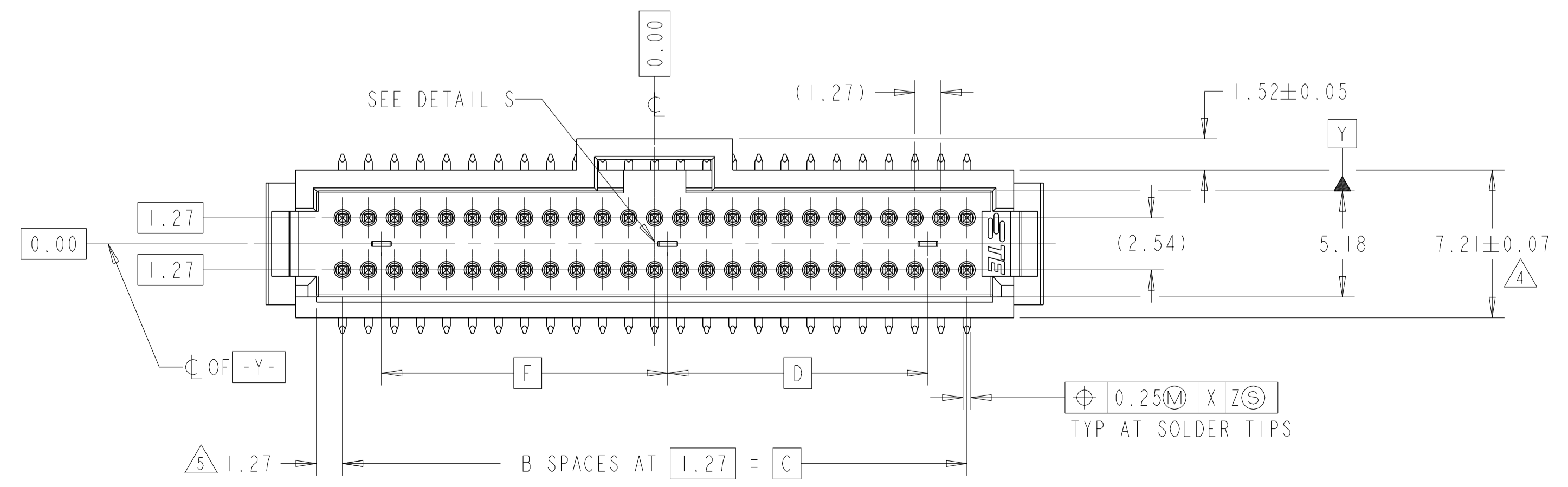


REVISIONS				
P	LTN	DESCRIPTION	DATE	APVD
V		REDRAWN/REVISED PER ECO 17-001755	19MAY2017	RS JO
W		REVISED PER ECO-20-000174	19FEB2020	SM JO

- 1 0.76µm GOLD IN LOCALIZED PLATE AREA, 3.81µm TIN-LEAD ON SOLDER TAILS ALL OVER 1.27µm NICKEL.
- 2 USE 1.18±.025 DRILLED HOLE (#56 DRILL) WITH .025 MIN COPPER.
- 3 CIRCUIT IDENTIFICATION FEATURE OMITTED ON 10 POSITION HEADER ASSEMBLIES.
- 4 DIMENSION APPLIES AT BASE OF SHROUD.
- 5 NOTE DELETED.
- 6 NOTE DELETED.
- 7 PADS ON THE OPPOSITE SIDE OF THE BOARD TO BE Ø1.65 MINIMUM.
- 8 REFER TO NO. OF POSN. IN CHART FOR NUMBER OF SURFACES THAT ARE TO BE COPLALAR.
- 9 0.76µm GOLD IN LOCALIZED PLATE AREA, 3.81µm TIN ON SOLDER TAILS, ALL OVER 1.27µm NICKEL.
- 10 NO CIRCUIT IDENTIFICATION FEATURE ON 10,12,20,24 AND 30 POSITION PARTS.
- 11 FINISH: 0.0254µm MIN. GOLD GOLD PLATED AREA, 3.81-6.35µm MATTE TIN LEAD ON TIN PLATE AREA, UNDER PLATING SHOULD BE 1.27-2.54µm NICKEL ON ENTIRE CONTACT, GOLD AND TIN PLATING MAY NOT OVERLAP.
- 12 FINISH: 0.0254µm MIN GOLD ON GOLD PLATED AREA, 3.81-6.35µm MATTE TIN ON TIN PLATE AREA, UNDERPLATING TO BE 1.27-2.54µm NICKEL ON ENTIRE CONTACT, GOLD AND TIN PLATING MAY NOT OVERLAP.
- 13 NOTE DELETED.
- 14 NOTE DELETED.
- 15 MATERIAL : HOUSING : LCP
COLOR : BLACK
CONTACT : COPPER ALLOY.



DETAIL S



DIMENSIONS:		TOLERANCES UNLESS OTHERWISE SPECIFIED:		MATERIAL:	
mm	0 PLC ±.3	1 PLC ±0.3	2 PLC ±0.13	3 PLC ±.1	4 PLC ±.1
ANGLES	SEE TABLE				
FINISH		SEE TABLE		MATERIAL	

THIS DRAWING IS A CONTROLLED DOCUMENT.		OWN: RAVI.S 19MAY2017	TE Connectivity	
CHK: J. OLSON 19MAY2017		NAME: HEADER ASSY, VERTICAL, SHROUDED DUAL ROW, W/LATCHES AND HOLD DOWNS		
APVD: J. OLSON 19MAY2017		PRODUCT SPEC		
APPLICATION SPEC		SIZE: A1		
WEIGHT		CAGE CODE: C=104549		
CUSTOMER DRAWING		SCALE: 5:1		
SHEET 1 OF 2		REV W		

THIS DRAWING IS UNPUBLISHED. RELEASED FOR PUBLICATION. ALL RIGHTS RESERVED.

REVISIONS				
P	LTN	DESCRIPTION	DATE	APVD
-	-	SEE SHEET 1	-	-

FINISH	DIM_G	DIM_H	DIM_F	DIM_D	DIM_C	NO OF SPACES	DIM_E	NO OF POSN	PART NUMBER	FINISH	DIM_G	DIM_H	DIM_F	DIM_D	DIM_C	NO OF SPACES	DIM_E	NO OF POSN	PART NUMBER
12	-	-	-	0.00	6.35	5	10.92	12	8-104549-1	11	-	-	-	0.00	6.35	5	10.92	12	3-104549-1
	-	0.00	29.21	29.21	62.23	49	66.80	100	8-104549-0		-	0.00	29.21	29.21	62.23	49	66.80	100	3-104549-0
	-	0.00	22.86	22.86	49.53	39	54.10	80	7-104549-9		-	0.00	22.86	22.86	49.53	39	54.10	80	2-104549-9
	-	0.00	16.51	16.51	36.83	29	41.40	60	7-104549-8		-	0.00	16.51	16.51	36.83	29	41.40	60	2-104549-8
	-	0.64	13.34	13.34	30.48	24	35.05	50	7-104549-7		-	0.64	13.34	13.34	30.48	24	35.05	50	2-104549-7
	-	-	10.16	10.16	24.13	19	28.70	40	7-104549-6		-	-	10.16	10.16	24.13	19	28.70	40	2-104549-6
	-	-	6.99	6.99	17.78	14	22.35	30	7-104549-5		-	-	6.99	6.99	17.78	14	22.35	30	2-104549-5
	-	-	5.72	5.72	15.24	12	19.81	26	7-104549-4		-	-	5.72	5.72	15.24	12	19.81	26	2-104549-4
	-	-	5.08	5.08	13.97	11	18.54	24	7-104549-3		-	-	5.08	5.08	13.97	11	18.54	24	2-104549-3
	-	-	3.81	3.81	11.43	9	16.00	20	7-104549-2		-	-	3.81	3.81	11.43	9	16.00	20	2-104549-2
12.55	-	-	0.64	5.08	4	-	10	7-104549-1	12.55	-	-	0.64	5.08	4	-	10	2-104549-1		
9	-	-	-	0.00	6.35	5	10.92	12	6-104549-1	1	-	-	-	0.00	6.35	5	10.92	12	1-104549-1
	-	0.00	29.21	29.21	62.23	49	66.80	100	6-104549-0		-	0.00	29.21	29.21	62.23	49	66.80	100	1-104549-0
	-	0.00	22.86	22.86	49.53	39	54.10	80	5-104549-9		-	0.00	22.86	22.86	49.53	39	54.10	80	104549-9
	-	0.00	16.51	16.51	36.83	29	41.40	60	5-104549-8		-	0.00	16.51	16.51	36.83	29	41.40	60	104549-8
	-	0.64	13.34	13.34	30.48	24	35.05	50	5-104549-7		-	0.64	13.34	13.34	30.48	24	35.05	50	104549-7
	-	-	10.16	10.16	24.13	19	28.70	40	5-104549-6		-	-	10.16	10.16	24.13	19	28.70	40	104549-6
	-	-	6.99	6.99	17.78	14	22.35	30	5-104549-5		-	-	6.99	6.99	17.78	14	22.35	30	104549-5
	-	-	5.72	5.72	15.24	12	19.81	26	5-104549-4		-	-	5.72	5.72	15.24	12	19.81	26	104549-4
	-	-	5.08	5.08	13.97	11	18.54	24	5-104549-3		-	-	5.08	5.08	13.97	11	18.54	24	104549-3
	-	-	3.81	3.81	11.43	9	16.00	20	5-104549-2		-	-	3.81	3.81	11.43	9	16.00	20	104549-2
12.55	-	-	0.64	5.08	4	-	10	5-104549-1	12.55	-	-	0.64	5.08	4	-	10	104549-1		

THIS DRAWING IS A CONTROLLED DOCUMENT.

DIMENSIONS: mm
 TOLERANCES UNLESS OTHERWISE SPECIFIED:
 0 PLC ±0.3
 1 PLC ±0.13
 2 PLC ±0.13
 3 PLC ±0.13
 4 PLC ±0.13
 ANGLES ±1°
 FINISH SEE TABLE

DWG: RAVI.S 19MAY2017
 CHK: J. OLSON 19MAY2017
 APVD: J. OLSON 19MAY2017

NAME: HEADER ASSY, VERTICAL, SHROUDED DUAL ROW, W/LATCHES AND HOLD DOWNS
 PRODUCT SPEC: -
 APPLICATION SPEC: -
 WEIGHT: -
 CUSTOMER DRAWING

SIZE: A1
 CAGE CODE: -
 DRAWING NO: 104549
 SCALE: 4:1
 SHEET: 2 OF 2
 REV: W

TE TE Connectivity

Mouser Electronics

Authorized Distributor

Click to View Pricing, Inventory, Delivery & Lifecycle Information:

[TE Connectivity:](#)

[104549-8](#)