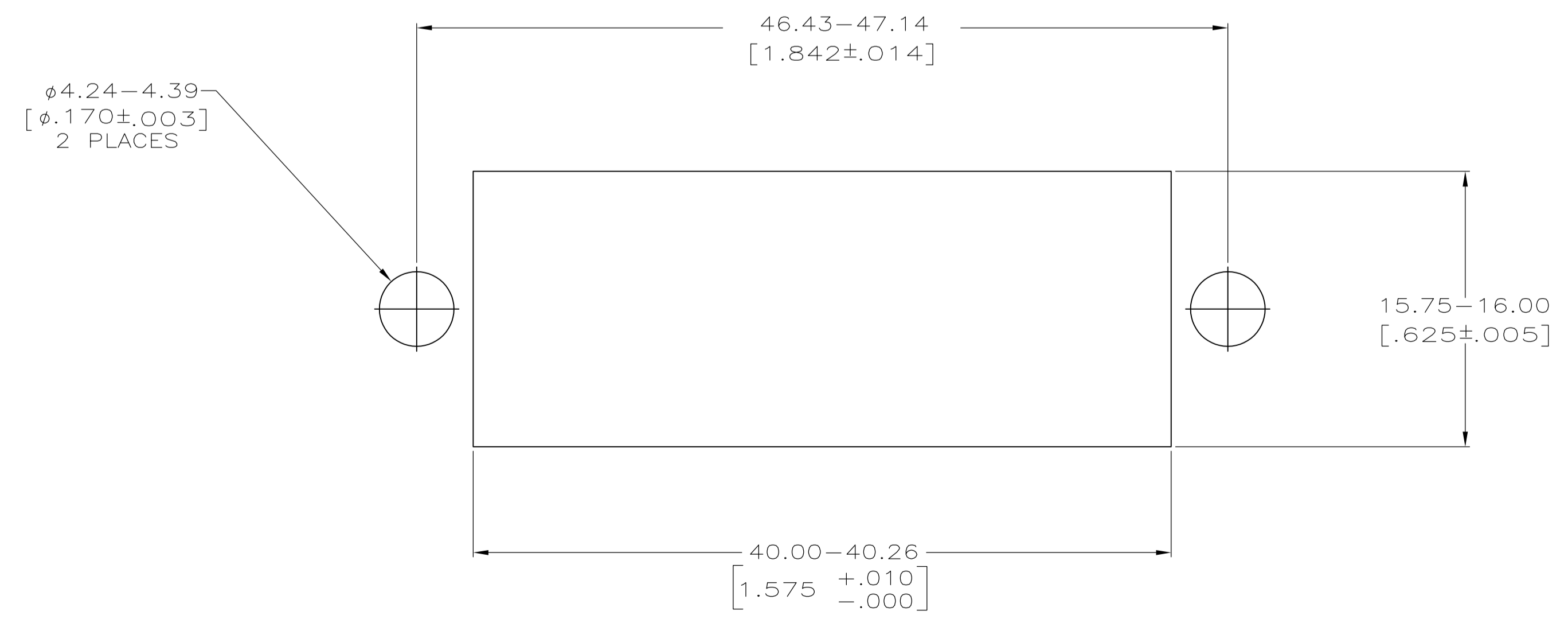
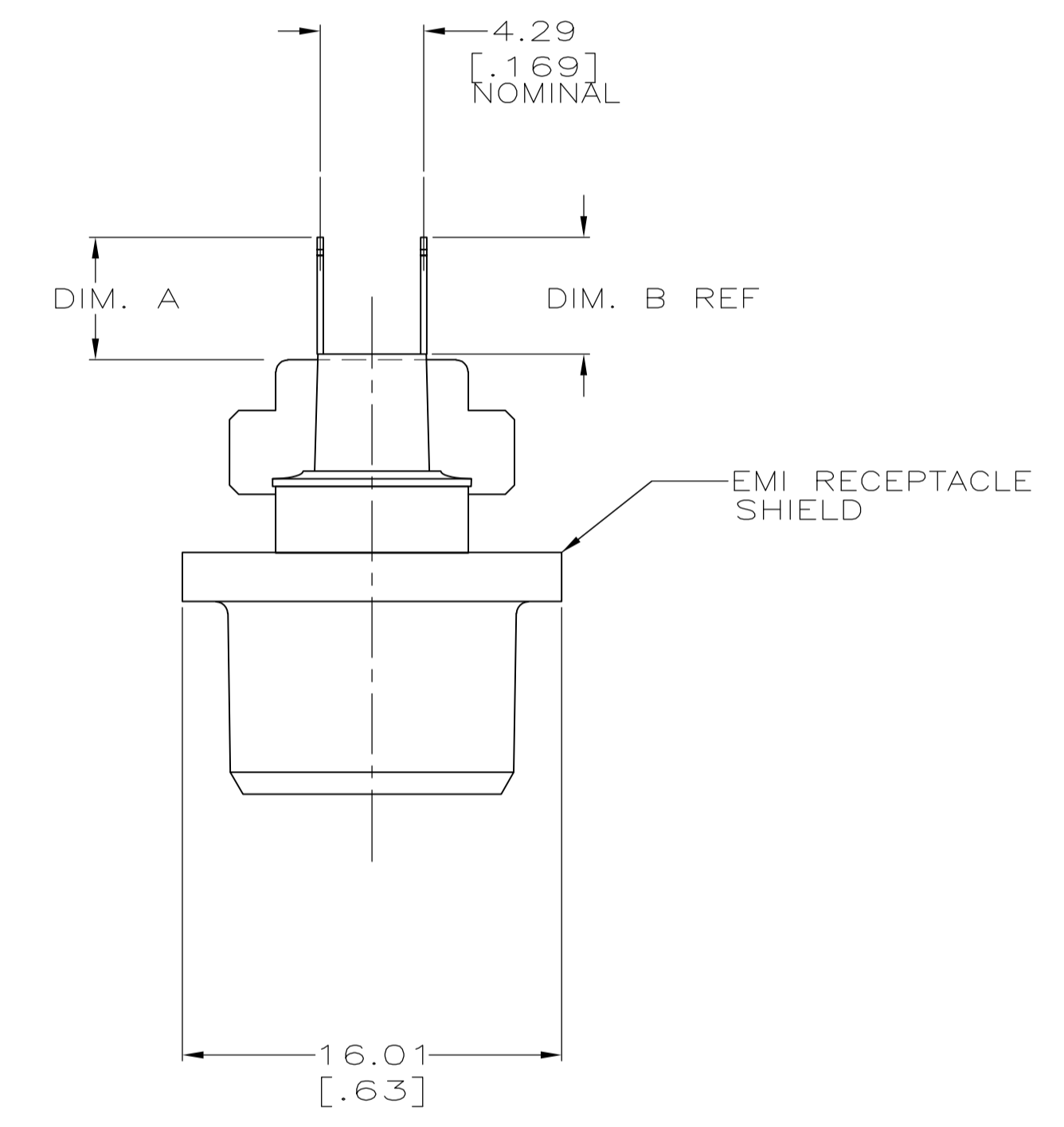
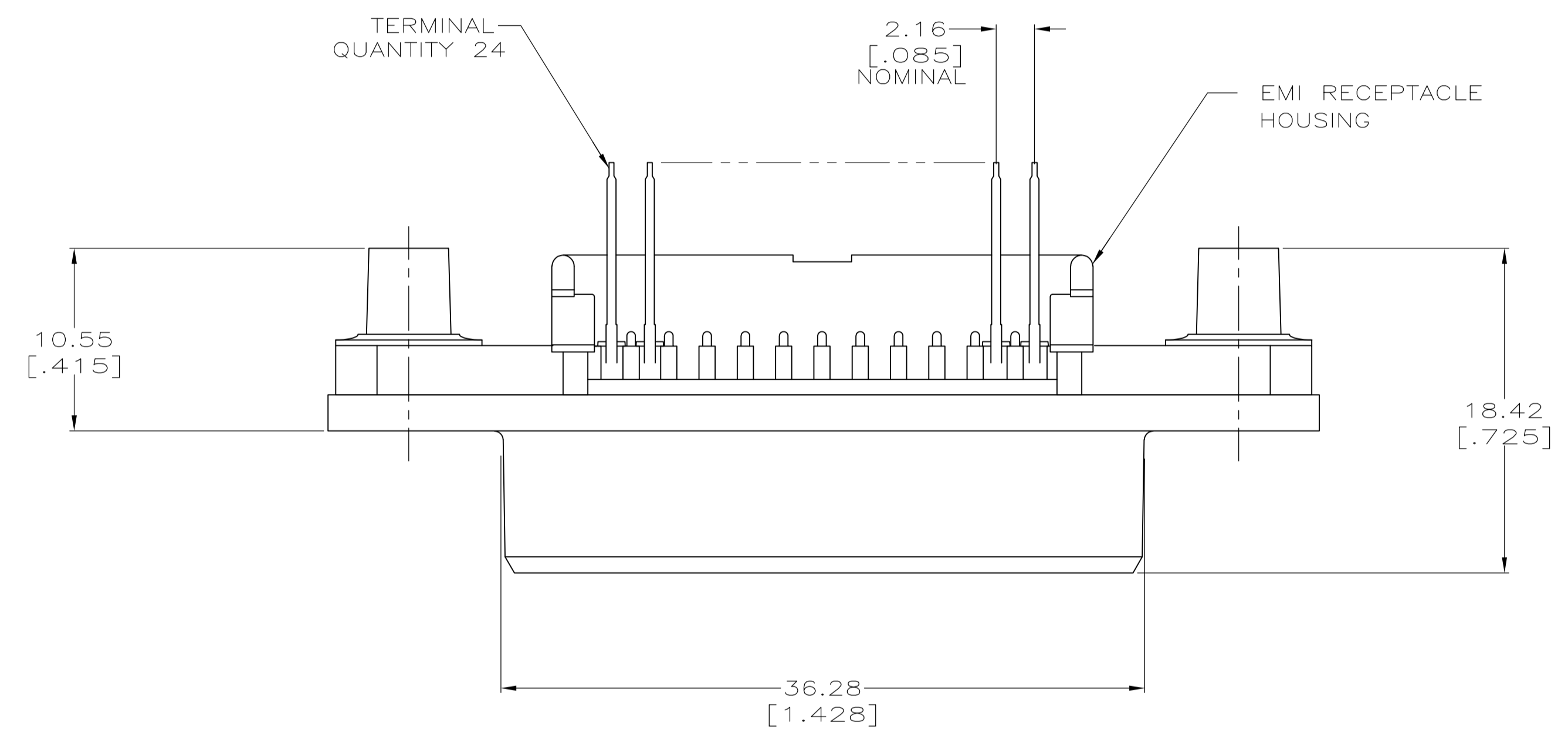
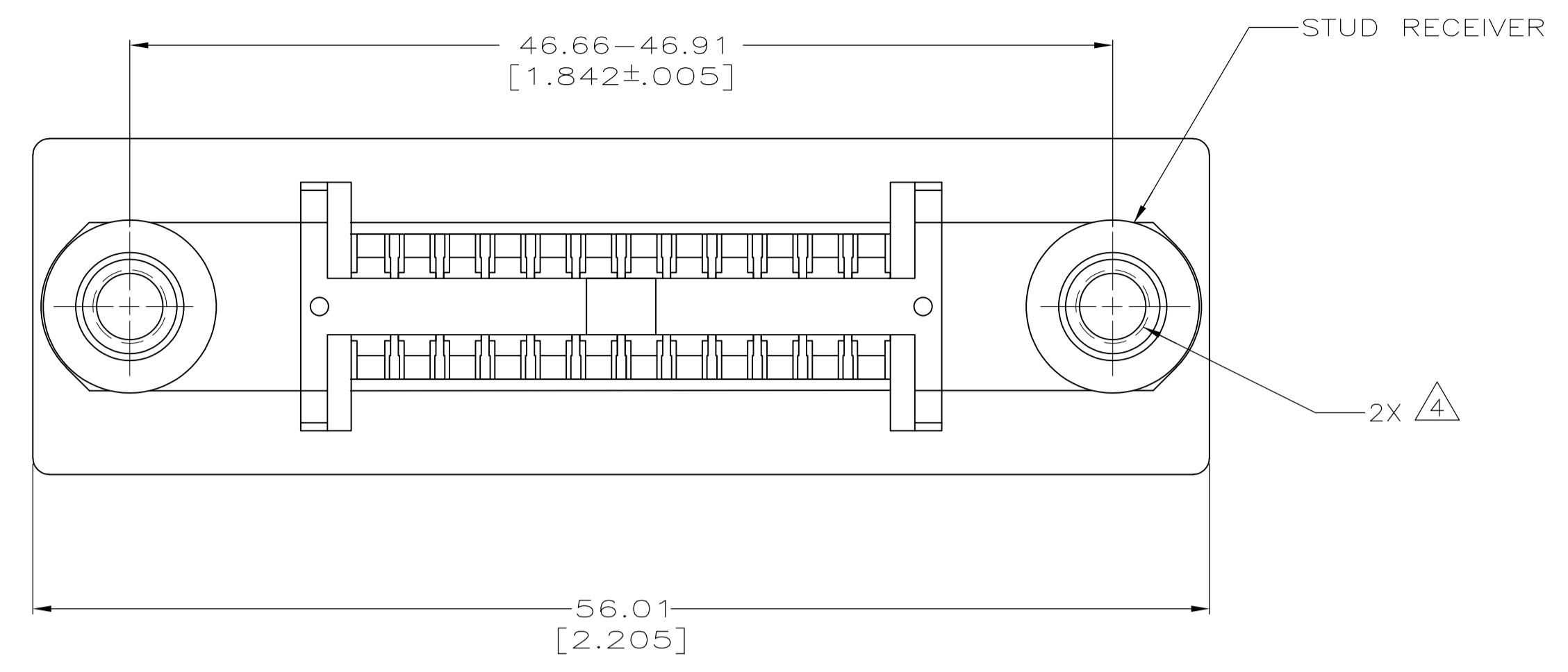


LOC		DIST		REVISIONS			
GP	00	REV	DESCRIPTION	DATE	BY	CHK	APPV
		B	REVISED PER ECO-08-007327	22JUL08	BM	WM	
		B1	REVISED PER ECO-10-000444	19JAN10	KK	HMR	



SUGGESTED REAR PANEL CUTOUT DIMENSIONS

- $\triangle 1$ ALL DIMENSIONS SHOWN ARE MAXIMUM UNLESS OTHERWISE SPECIFIED.
- 2. THE CONTACT SURFACES OF THE TERMINALS ARE COATED WITH LUBRICANT.
- $\triangle 3$ MATERIAL: HOUSING - POLYESTER, BLACK. TERMINAL - PHOS BRONZE PLATED WITH EITHER $0.76\mu\text{m}$ [.000030] MINIMUM GOLD PLATE OR GOLD FLASH OVER PALLADIUM NICKEL PLATE, $0.76\mu\text{m}$ [.000030] MINIMUM TOTAL ON MATING SURFACE. $3.05\mu\text{m}$ [.000120] MINIMUM TIN PLATE ON TAILS OVER $1.27\mu\text{m}$ [.000050] MINIMUM NICKEL UNDERPLATE OVER ENTIRE TERMINAL. STUD RECEIVER - STAINLESS STEEL. SHIELD - NICKEL PLATED ZINC DIE CASTING.
- $\triangle 4$ HOLES TO BE TAPPED AFTER PLATING.
- $\triangle 5$ OBSOLETE PARTS: OBSOLETE CIS STREAMLINING PER D.RENAUD/D.SINISI

SIZE	CAGE CODE	DRAWING NO	RESTRICTED TO
A1	00779	C=5554501	

THIS DRAWING IS A CONTROLLED DOCUMENT.

DIMENSIONS: mm [INCHES]	TOLERANCES UNLESS OTHERWISE SPECIFIED:	0. PLC ± -	1. PLC ± -	2. PLC ± -	3. PLC ± -	4. PLC ± -	ANGLES ± -
		$\triangle 1$	$\triangle 2$	$\triangle 3$	$\triangle 4$	$\triangle 5$	

REV	BY	DATE	APPV	CHK
11AUG05	B. LATTUCA	11AUG05	W. MILLHIMES	M. WALMSLEY

NAME: RECEPTACLE ASSEMBLY, 24 POSITION, VERTICAL MOUNTING, SHIELDED, SCREW LOCK, CHAMP-LOK®

PRODUCT SPEC: ---

APPLICATION SPEC: ---

MATERIAL: $\triangle 3$

FINISH: $\triangle 3$

WEIGHT: ---

CUSTOMER DRAWING

SCALE: 4:1

SHEET 1 OF 1

REV B1

Mouser Electronics

Authorized Distributor

Click to View Pricing, Inventory, Delivery & Lifecycle Information:

[TE Connectivity:](#)

[5554501-1](#)