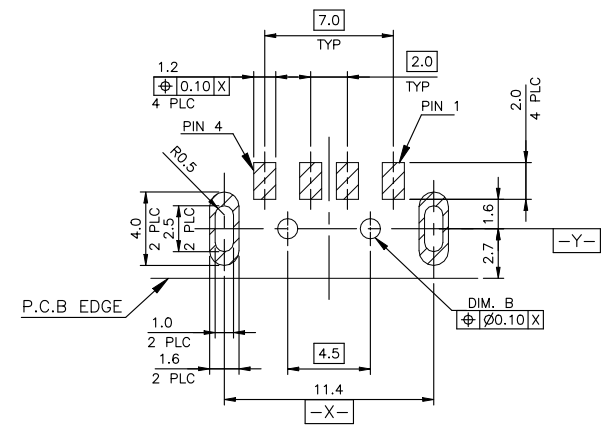
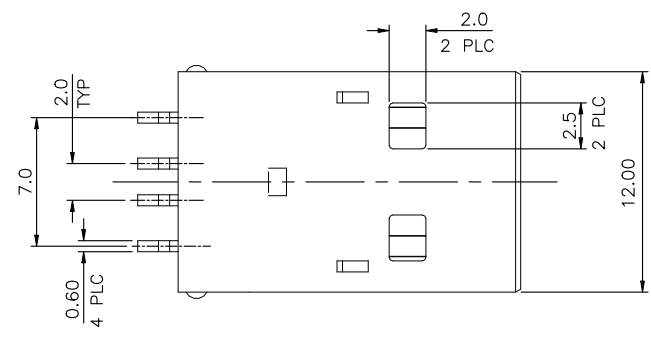
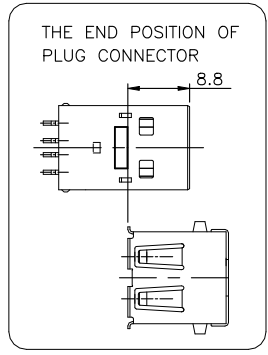
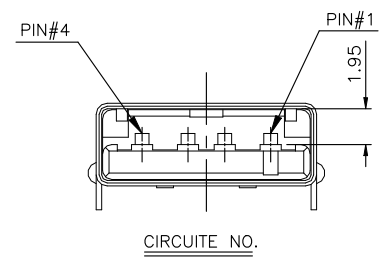
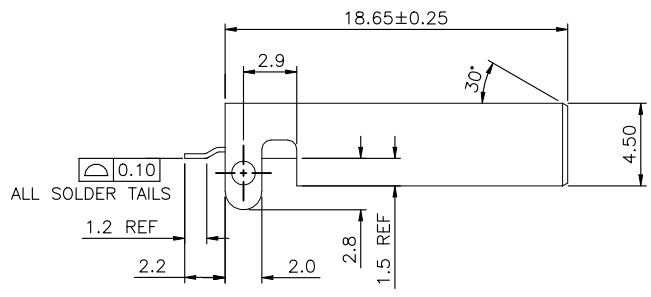
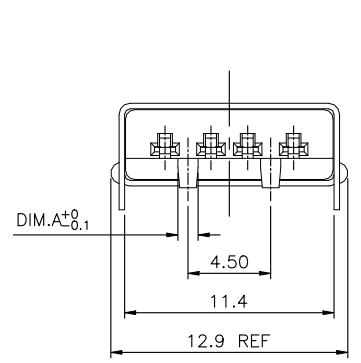


THIS DRAWING IS UNPUBLISHED. RELEASED FOR PUBLICATION
 © COPYRIGHT - BY TYCO ELECTRONICS CORPORATION. ALL RIGHTS RESERVED.

LOC	DIST	REVISIONS			
P	LTR	DESCRIPTION	DATE	DWN	APVD
DW					
	D	REVISED PER ECR-21-002840	12JUL2021	RM	SZ



RECOMMENDED PCB LAYOUT (THICKNESS: 1.6mm)
 (COMPONENT VIEW) TOLERANCE: 1PLC:±0.1 2PLC:±0.05



- NOTE:
- MATERIAL:
 HOUSING: PA-6T WITH 30% GF, UL 94V-0 COLOR: SEE TABLE.
 CONTACT: BRASS.
 SHIELD: COLD ROLL STEEL, (SPCC-1).
 - FINISH:
 CONTACTS: GOLD FLASH OVER
 0.76um[30u"] MIN. PALLADIUM-NICKEL PLATING ON CONTACT AREA,
 2.54um[100u"] MIN. MATTE-TIN ON SOLDER TAILS.
 1.27um[50u"] MIN. NICKEL UNDERPLATED ALL OVER.
 SHELL: 3.048um[120u"] MIN. NICKEL PLATED OVER
 5.08um[200u"] MIN. Cu UNDERPLATED ALL OVER.
 - REFLOW SOLDER CAPABLE TO 260°C PER TE TEST SPEC.
 109-201, CONDITION B.

OBSOLETE	REEL	Ø1.40	Ø1.50	BLACK	1-1734028-4
OBSOLETE	REEL	Ø1.00	Ø1.10	BLACK	1-1734028-3
OBSOLETE	REEL	Ø1.40	Ø1.50	NATURE	1-1734028-2
OBSOLETE	TRAY	Ø1.00	Ø1.10	NATURE	1-1734028-1
OBSOLETE	TRAY	Ø1.40	Ø1.50	BLACK	1734028-4
OBSOLETE	TRAY	Ø1.00	Ø1.10	BLACK	1734028-3
OBSOLETE	TRAY	Ø1.40	Ø1.50	NATURE	1734028-2
OBSOLETE	TRAY	Ø1.00	Ø1.10	NATURE	1734028-1
PACKING	DIM. A	DIM.B(PCB)	HSG. COLOR	PART NUMBER	

THIS DRAWING IS A CONTROLLED DOCUMENT.		DWN	F. YANG	24DEC2008	TE Connectivity
DIMENSIONS:		CHK	S. CHIEN	24DEC2008	
MM	TOLERANCES UNLESS OTHERWISE SPECIFIED:	APVD	W. KODAMA	24DEC2008	NAME
	0 PLC ± 0.40 1 PLC ± 0.30 2 PLC ± 0.20 3 PLC ± 0.10 4 PLC ± - ANGLES ± 3.0° FINISH SEE NOTE	PRODUCT SPEC	108-57306		USB CONNECTOR, PLUG, R/A, SMT TYPE
MATERIAL	SEE NOTE	QUALIFICATION TEST REPORT	501-57337		
MATERIAL SEE NOTE		WEIGHT	---		SIZE
		CUSTOMER DRAWING		SCALE	-
		SHEET		1 OF 3	REV
				D	

4

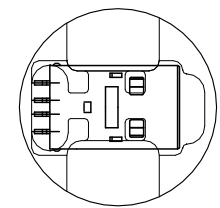
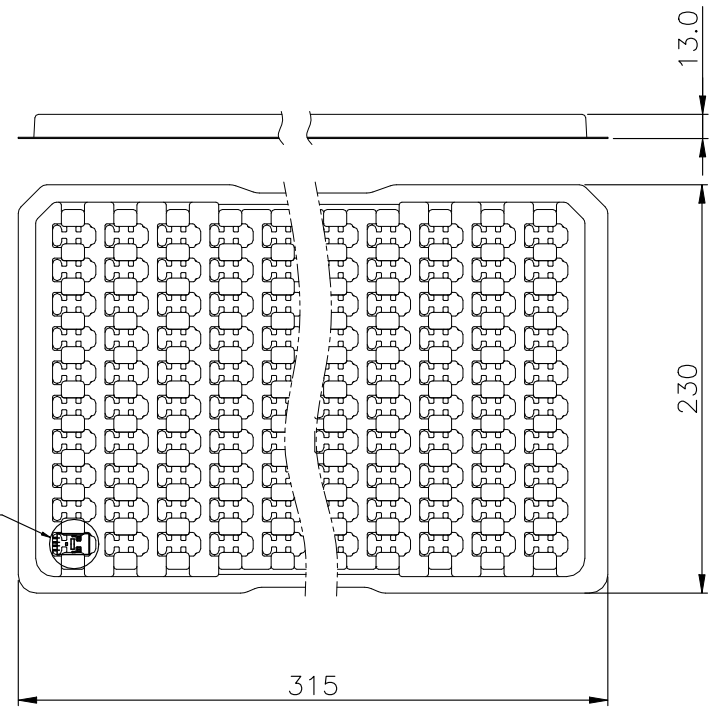
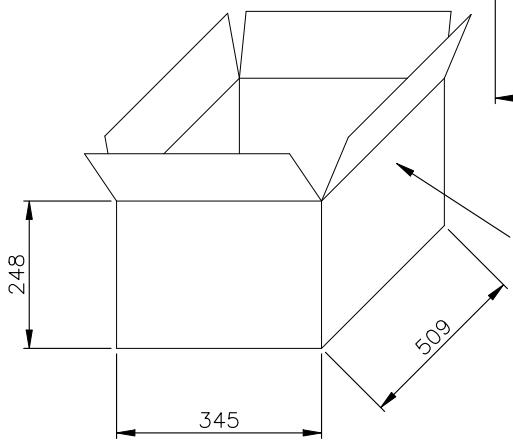
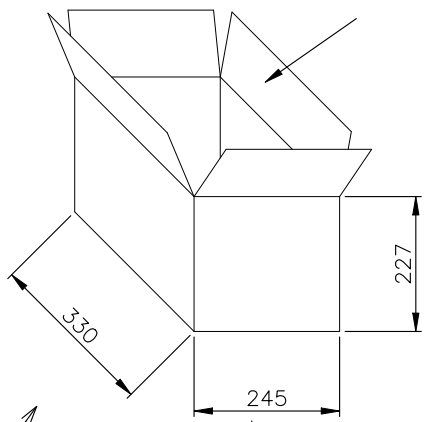
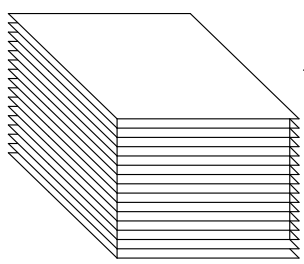
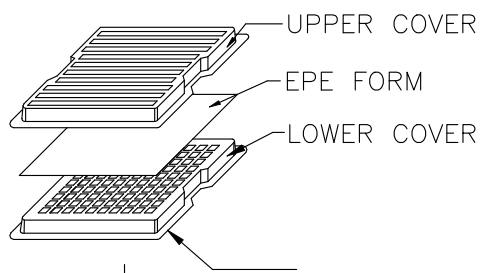
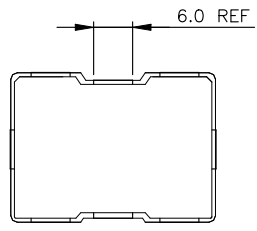
3

2

1

THIS DRAWING IS UNPUBLISHED. RELEASED FOR PUBLICATION
 © COPYRIGHT BY TYCO ELECTRONICS CORPORATION. ALL RIGHTS RESERVED.

LOC		DIST		REVISIONS				
P	LTR	DESCRIPTION			DATE	DWN	APVD	
		SEE SHEET 1.						



VIEW A
SCALE 4:1

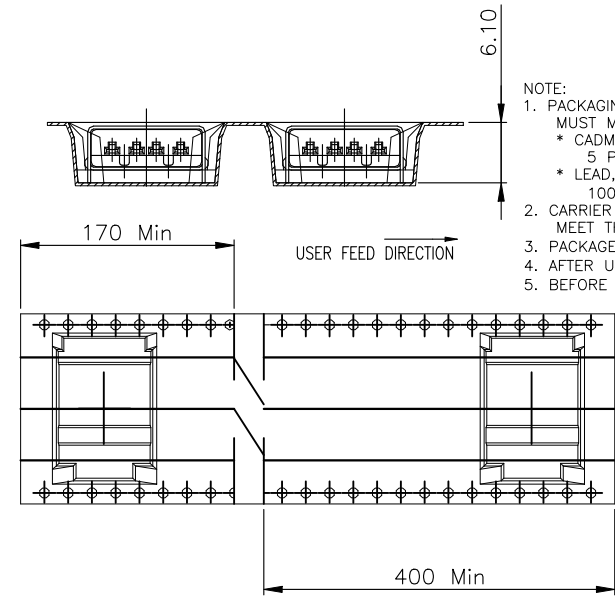
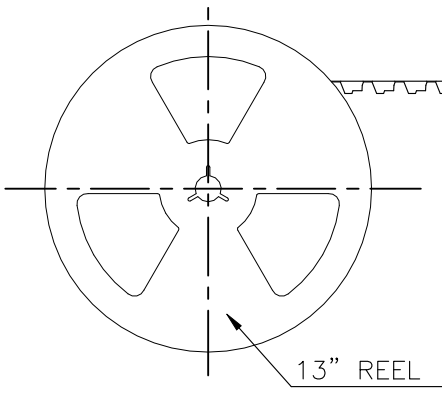
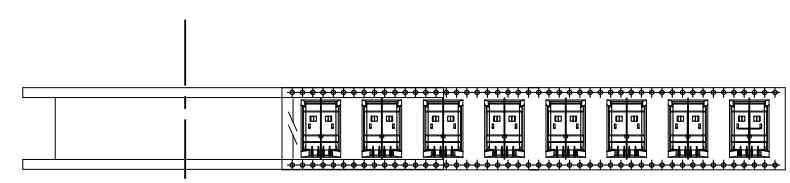
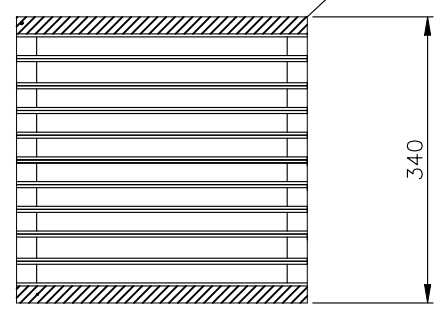
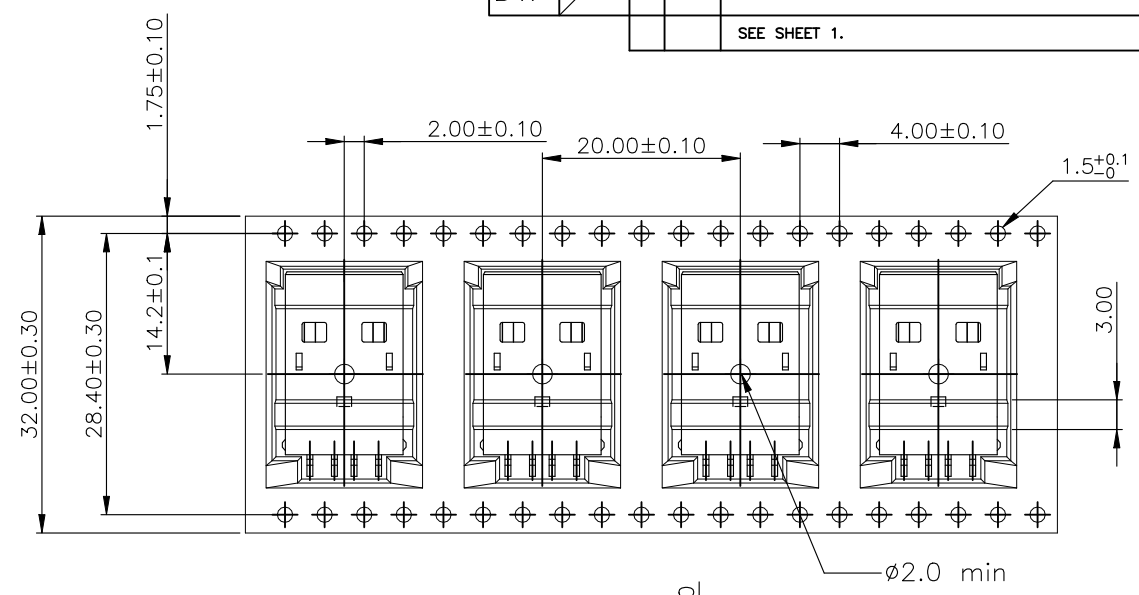
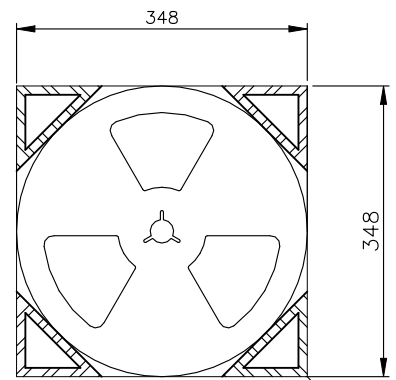
16.5kg	15.5kg	100	32	3200PCS
GROSS WEIGHT	NET WEIGHT	PCS/TRAY	TRAYS /CARTON	QUANTITY

THIS DRAWING IS A CONTROLLED DOCUMENT.

DIMENSIONS: MM	TOLERANCES UNLESS OTHERWISE SPECIFIED:	DWN	TE Connectivity			
	0 PLC ± -	CHK	NAME			
	1 PLC ± -	APVD	USB CONNECTOR, PLUG, R/A, SMT TYPE			
	2 PLC ± -	PRODUCT SPEC	SIZE	CAGE CODE	DRAWING NO	RESTRICTED TO
	3 PLC ± -	APPLICATION SPEC	A3	00779	C=1734028	
	4 PLC ± -	WEIGHT	CUSTOMER DRAWING			SCALE
MATERIAL	FINISH	SHEET 2 OF 3		REV D		

THIS DRAWING IS UNPUBLISHED. RELEASED FOR PUBLICATION
 © COPYRIGHT BY TYCO ELECTRONICS CORPORATION. ALL RIGHTS RESERVED.

LOC	DIST	REVISIONS		
DW		P	LTR	DATE
		DESCRIPTION		DWN
		SEE SHEET 1.		APVD



- NOTE:
- PACKAGING MATERIAL IN PLASTIC, RUBBER, INK, PIGMENT AND PAINT MUST MEET CONTROLLED SUBSTANCES PER TE SPEC TEC-138-702.
 - * CADMIUM AND CADMIUM COMPOUNDS NOT TO EXCEED: 5 PPM.
 - * LEAD, CADMIUM, CHROM VI AND MERCURY NOT TO EXCEED: 100 PPM (COMBINED).
 - CARRIER TAPES, COVER TAPES, REELS AND TAPED COMPONENTS MUST MEET THE REQUIREMENTS DEFINED PER EIA-481-B.
 - PACKAGE: 500 PCS/REEL, 8 REEL/BOX (W.G: 13.5Kg, N.G: 12.5Kg)
 - AFTER UNREELING DIRECTION MUST HAVE 14PCS BLANK. (400mm Min.)
 - BEFORE UNREELING DIRECTION MUST HAVE 6PCS BLANK. (170mm Min.)

13.5kg	12.5kg	500	8	4000PCS
GROSS WEIGHT	NET WEIGHT	PCS/TAPE	REEL / CARTON	QUANTITY

THIS DRAWING IS A CONTROLLED DOCUMENT.

DIMENSIONS: MM	TOLERANCES UNLESS OTHERWISE SPECIFIED:	DWN	TE Connectivity	
0 PLC ± -	1 PLC ± -	CHK	NAME	
2 PLC ± -	3 PLC ± -	APVD	USB CONNECTOR, PLUG, R/A, SMT TYPE	
4 PLC ± -	ANGLES ± -	PRODUCT SPEC	SIZE	CAGE CODE
MATERIAL	FINISH	APPLICATION SPEC	A3	00779
		WEIGHT	DRAWING NO	
			C=1734028	
		CUSTOMER DRAWING	RESTRICTED TO	
			SCALE	SHEET
				3 of 3
				REV D

Mouser Electronics

Authorized Distributor

Click to View Pricing, Inventory, Delivery & Lifecycle Information:

[TE Connectivity:](#)

[1-1734028-1](#)