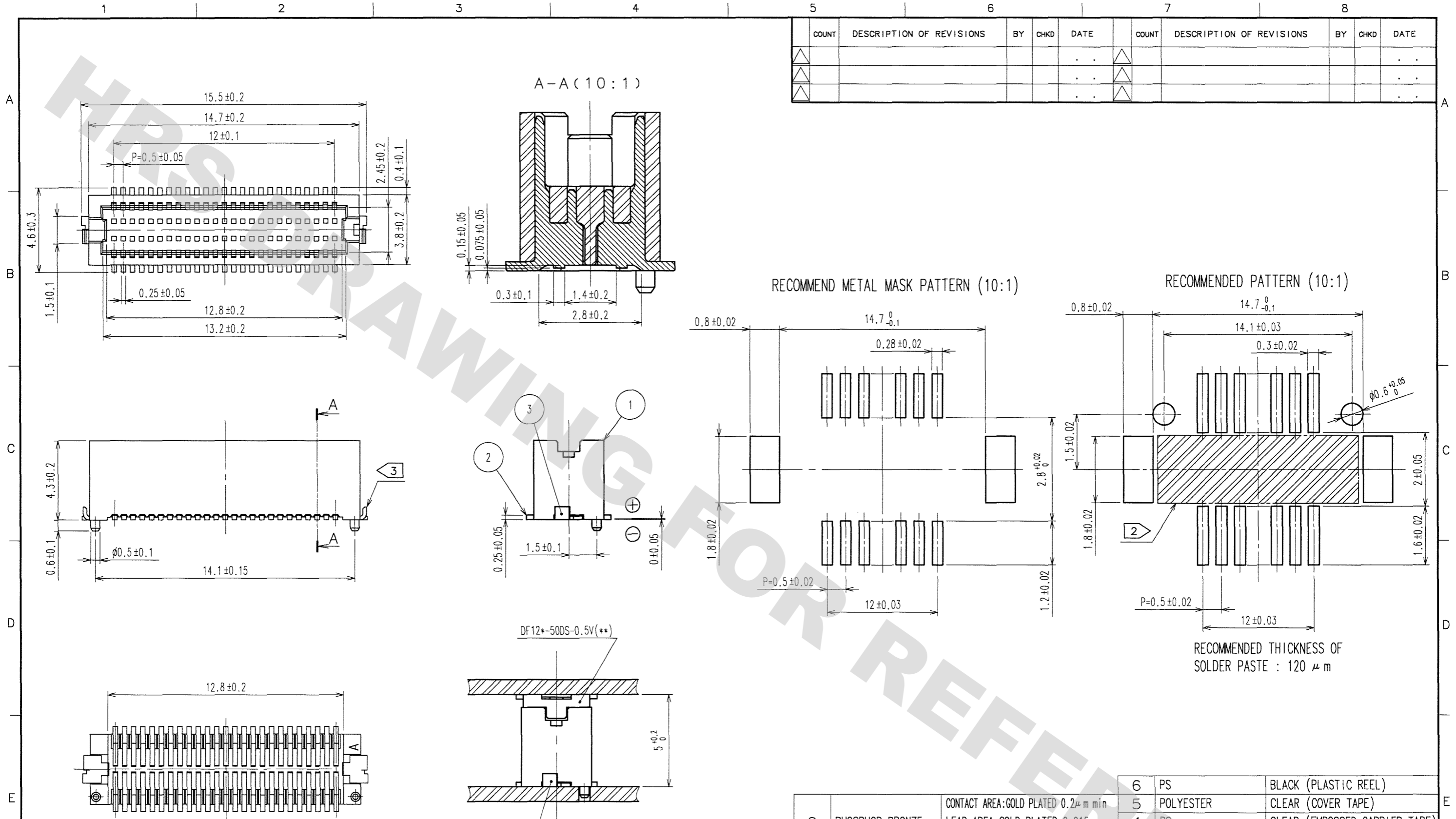
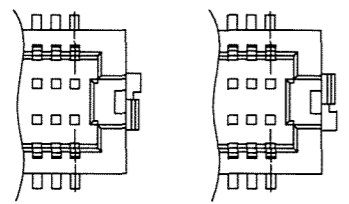


DRAWING FOR REFERENCE: This is subject to change without notice  
08/11/2012

COUNT	DESCRIPTION OF REVISIONS	BY	CHKD	DATE	COUNT	DESCRIPTION OF REVISIONS	BY	CHKD	DATE
△				..	△				..
△				..	△				..
△				..	△				..



NOTES 1 : LEAD CO-PLANARITY INCLUDING REINFORCED METAL FITTINGS SHALL BE 0.08 mm MAX.  
 2 : IF THERE IS PATTERN ON PART, THERE IS A POSSIBILITY THAT IT WILL MAKE CONTACT WITH THE LEADS.  
 3 : REINFORCED METAL FITTINGS AS FOLLOWS.



NO.	MATERIAL	FINISH, REMARKS	NO.	MATERIAL	FINISH, REMARKS
2	PHOSPHOR BRONZE	CONTACT AREA: GOLD PLATED 0.2μm min LEAD AREA: GOLD PLATED 0.015μm OTHERS(UNDER PLATING): NICKEL PLATED 2μm min	6	PS	BLACK (PLASTIC REEL)
1	POLYAMIDE	UL94V-0, NATURAL (BEIGE)	5	POLYESTER	CLEAR (COVER TAPE)
			4	PS	CLEAR (EMBOSSED CARRIER TAPE)
			3	BRASS	TIN PLATED 2μm min (UNDER PLATING): NICKEL 1μm min

CODE NO. (OLD)	DRAWN	DESIGNED	CHECKED	APPROVED	RELEASED
	J. Michida	J. Michida	K. Ikeda	K. Ikeda	
	07.10.4	07.10.4	07.10.04	07.10.04	

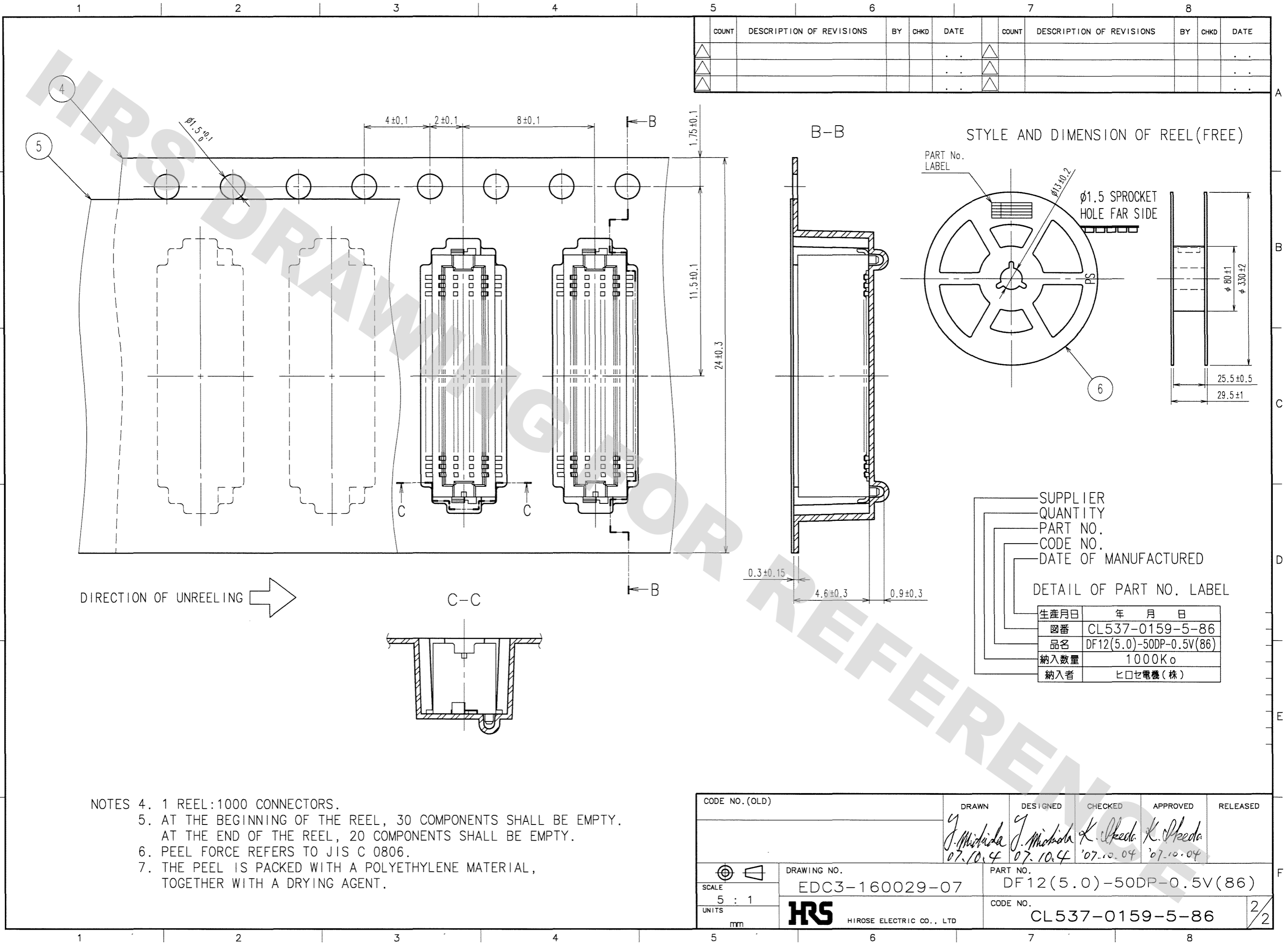
  

SCALE	DRAWING NO.	PART NO.
5 : 1	EDC3-160029-07	DF12(5.0)-50DP-0.5V(86)
UNITS	mm	CODE NO.
	<b>HRS</b> HIROSE ELECTRIC CO., LTD	CL537-0159-5-86

TO



DRAWING FOR REFERENCE: This is subject to change without notice  
08/11/2012



COUNT	DESCRIPTION OF REVISIONS	BY	CHKD	DATE	COUNT	DESCRIPTION OF REVISIONS	BY	CHKD	DATE
△					△				
△					△				
△					△				

SUPPLIER  
QUANTITY  
PART NO.  
CODE NO.  
DATE OF MANUFACTURED

DETAIL OF PART NO. LABEL

生産月日	年 月 日
図番	CL537-0159-5-86
品名	DF12(5.0)-50DP-0.5V(86)
納入数量	1000K $\phi$
納入者	ヒロセ電機(株)

- NOTES
- 1 REEL: 1000 CONNECTORS.
  - AT THE BEGINNING OF THE REEL, 30 COMPONENTS SHALL BE EMPTY. AT THE END OF THE REEL, 20 COMPONENTS SHALL BE EMPTY.
  - PEEL FORCE REFERS TO JIS C 0806.
  - THE PEEL IS PACKED WITH A POLYETHYLENE MATERIAL, TOGETHER WITH A DRYING AGENT.

CODE NO. (OLD)	DRAWN	DESIGNED	CHECKED	APPROVED	RELEASED
	<i>J. Michida</i> 07.10.4	<i>J. Michida</i> 07.10.4	<i>K. Ikeda</i> 07.10.04	<i>K. Ikeda</i> 07.10.04	
DRAWING NO.	PART NO.				
EDC3-160029-07	DF12(5.0)-50DP-0.5V(86)				
SCALE	CODE NO.				
5 : 1	CL537-0159-5-86				
UNITS	mm				
	HRS HIROSE ELECTRIC CO., LTD				

TO

# Mouser Electronics

Authorized Distributor

Click to View Pricing, Inventory, Delivery & Lifecycle Information:

[Hirose Electric:](#)

[DF12\(5.0\)-50DP-0.5V\(86\)](#)