



Switches > Tactile Switches



Actuator Style: **Rectangular**

Operating Function: **Off (On)**

Contact Base Material: **Brass**

Switch Contact Plating Material: **Silver**

Low Profile: **With**

Features

Product Type Features

Switch Connection Type	Printed Circuit Board
Leg Style	Gull Wing
Illuminated	Without
Actuator Style	Rectangular

Configuration Features

ESD Grounding Terminal	Without
Ganged	With
Switch Feedback	Tactile
Operating Function	Off (On)
Support Bracket	Without
Configuration (Pole-Throw)	Single Pole - Single Throw
Number of Actuators	Single

Electrical Characteristics

Operating Voltage	24 VDC
-------------------	--------



Body Features

Cover Material	Stainless Steel
Actuator Force	180 g[6.34 oz]
Case Material	Polyester
Actuator Profile	Extended
Actuator Material	Polyamide
Case Color	Brown
Product Orientation	Vertical
Actuator Color	Black

Contact Features

Contact Base Material	Brass
Switch Contact Plating Material	Silver
Contact Current Rating	50 mA

Termination Features

Termination Method to Printed Circuit Board	Surface Mount
---	---------------

Housing Features

Low Profile	With
Process Sealed	No

Dimensions

Actuator Length	1.07 mm[.042 in]
Button Width	2.99 mm[.118 in]
	.18 in

Usage Conditions

Operating Temperature Range	-35 – 85 °C
-----------------------------	-------------

Packaging Features

Packaging Method	Tape & Reel
------------------	-------------

Other

Switches Comment	(On) indicates momentary position.
------------------	------------------------------------

Product Compliance

For compliance documentation, visit the product page on [TE.com](https://www.te.com)>

EU RoHS Directive 2011/65/EU	Compliant
------------------------------	-----------



EU ELV Directive 2000/53/EC	Compliant
China RoHS 2 Directive MIIT Order No 32, 2016	No Restricted Materials Above Threshold
EU REACH Regulation (EC) No. 1907/2006	Current ECHA Candidate List: JUNE 2023 (235) Candidate List Declared Against: JUNE 2023 (235) Does not contain REACH SVHC
Halogen Content	Low Halogen - Br, Cl, F, I < 900 ppm per homogenous material. Also BFR/CFR/PVC Free
Solder Process Capability	Reflow solder capable to 260°C

Product Compliance Disclaimer

This information is provided based on reasonable inquiry of our suppliers and represents our current actual knowledge based on the information they provided. This information is subject to change. The part numbers that TE has identified as EU RoHS compliant have a maximum concentration of 0.1% by weight in homogenous materials for lead, hexavalent chromium, mercury, PBB, PBDE, DBP, BBP, DEHP, DIBP, and 0.01% for cadmium, or qualify for an exemption to these limits as defined in the Annexes of Directive 2011/65/EU (RoHS2). Finished electrical and electronic equipment products will be CE marked as required by Directive 2011/65/EU. Components may not be CE marked. Additionally, the part numbers that TE has identified as EU ELV compliant have a maximum concentration of 0.1% by weight in homogenous materials for lead, hexavalent chromium, and mercury, and 0.01% for cadmium, or qualify for an exemption to these limits as defined in the Annexes of Directive 2000/53/EC (ELV). Regarding the REACH Regulation, the information TE provides on SVHC in articles for this part number is based on the latest European Chemicals Agency (ECHA) 'Guidance on requirements for substances in articles' posted at this URL: <https://echa.europa.eu/guidance-documents/guidance-on-reach>

Compatible Parts



TE Part # 1825910-6
FSM4JH=6MM TACT SWITCH, HIGH TEMP



TE Part # 2-1825910-7
FSM14JH=6MM TACT SWITCH, HIGH TEMP



TE Part # 4-1437565-2
FSM4JSMATR=TACT SWITCH 6X6MIL



TE Part # 3-1437565-0
FSM2JSMATR=ON T/R



TE Part # 2-1977223-8
FSM14JSMAS=6MM TACT SWITCH, SMT 160gf

Also in the Series | Alcoswitch FSM



Tactile Switches(49)

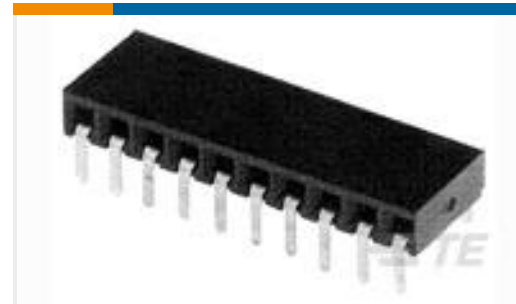
Customers Also Bought



TE Part #4-2176058-6
RLP73K 3A R75 5% 2K RL



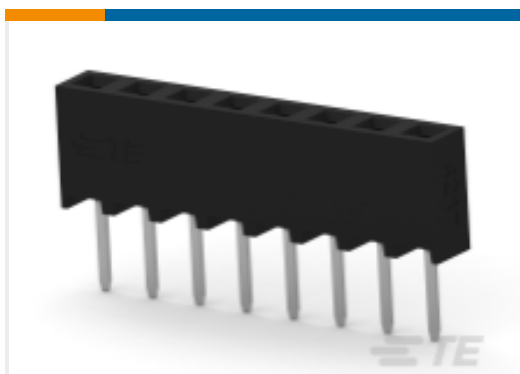
TE Part #641976-1
15P UMNL PIN HDR ASSY POL 94VO



TE Part #216602-4
4P HV190 FEDERLEIS



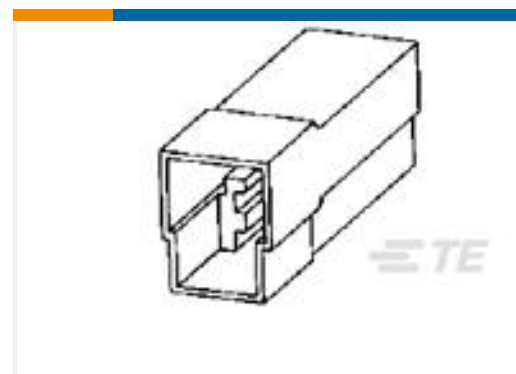
TE Part #2-1761679-7
IDC LOW PRO HDR 20P VERT BLUE



TE Part #2314876-8
8P,2MM,B-B,REC,SRVT,2,7,0.1AU,TB



TE Part #1-2314868-0
10P,2MM,BB,REC,SRVT,2,0,0.1AU,TB,
W/CP



TE Part #180940-5
FF 250 TAB HSG 3P NYLON BLACK

Documents

Product Drawings

FSMSMTR=TACT SWITCH

English

CAD Files

3D PDF

3D

Customer View Model

[ENG_CVM_CVM_1437566-4_C_c-1437566-4-c.2d_dxf.zip](#)

English

Customer View Model

[ENG_CVM_CVM_1437566-4_C_c-1437566-4-c.3d_igs.zip](#)

English

Customer View Model

[ENG_CVM_CVM_1437566-4_C_c-1437566-4-c.3d_stp.zip](#)

English

By downloading the CAD file I accept and agree to the [Terms and Conditions](#) of use.



Datasheets & Catalog Pages

SWITCHES_CORE_PROGRAM_CATALOG

English

Products for Mobile Equipment

English