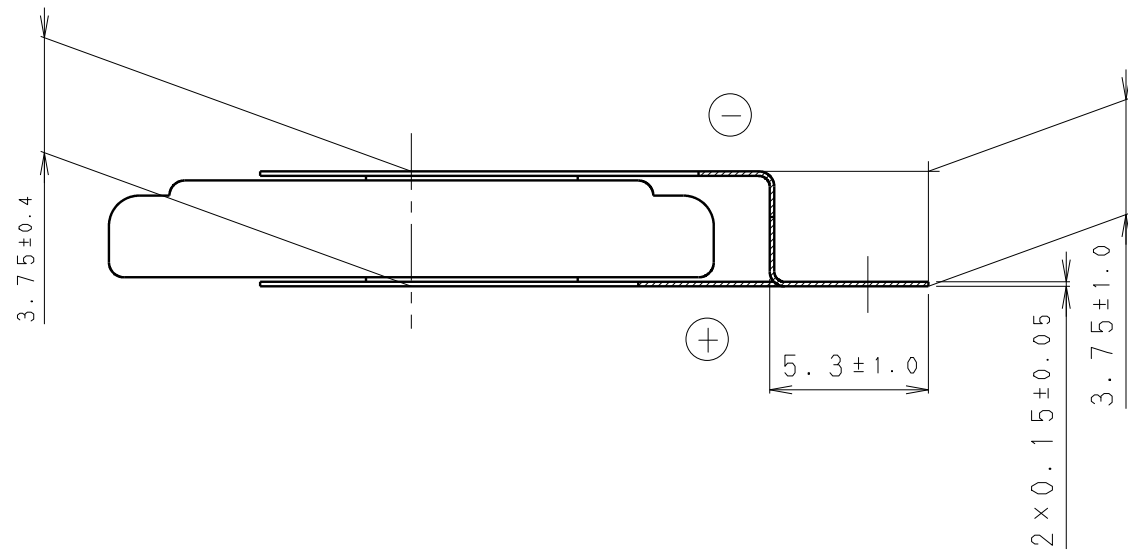
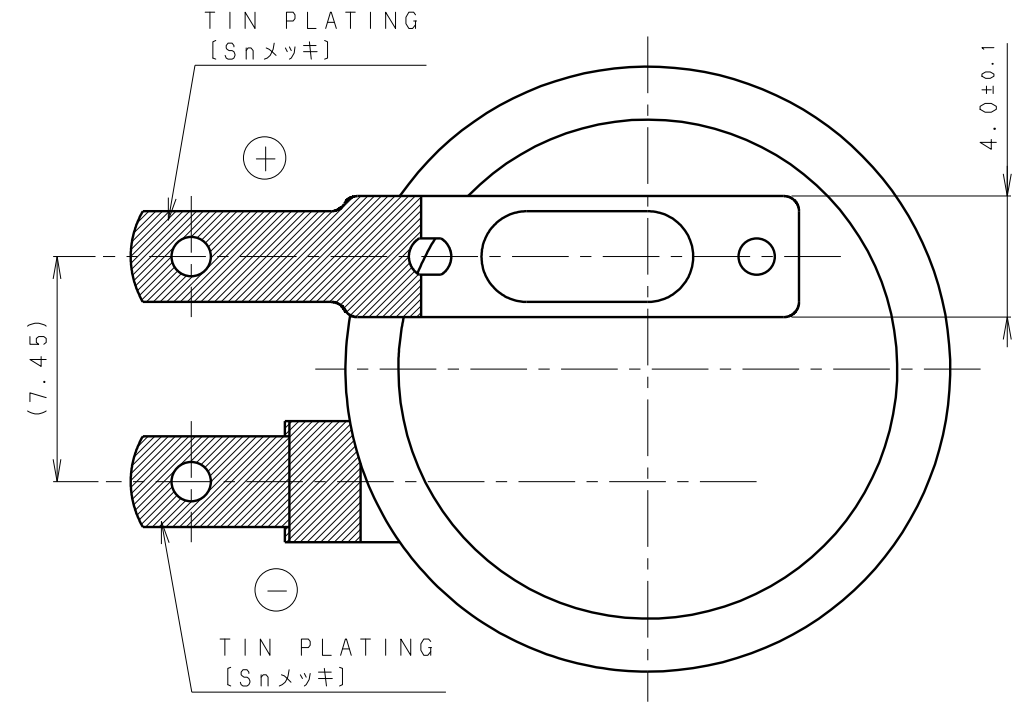
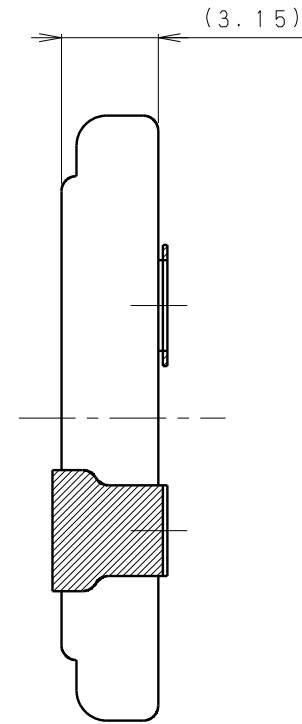
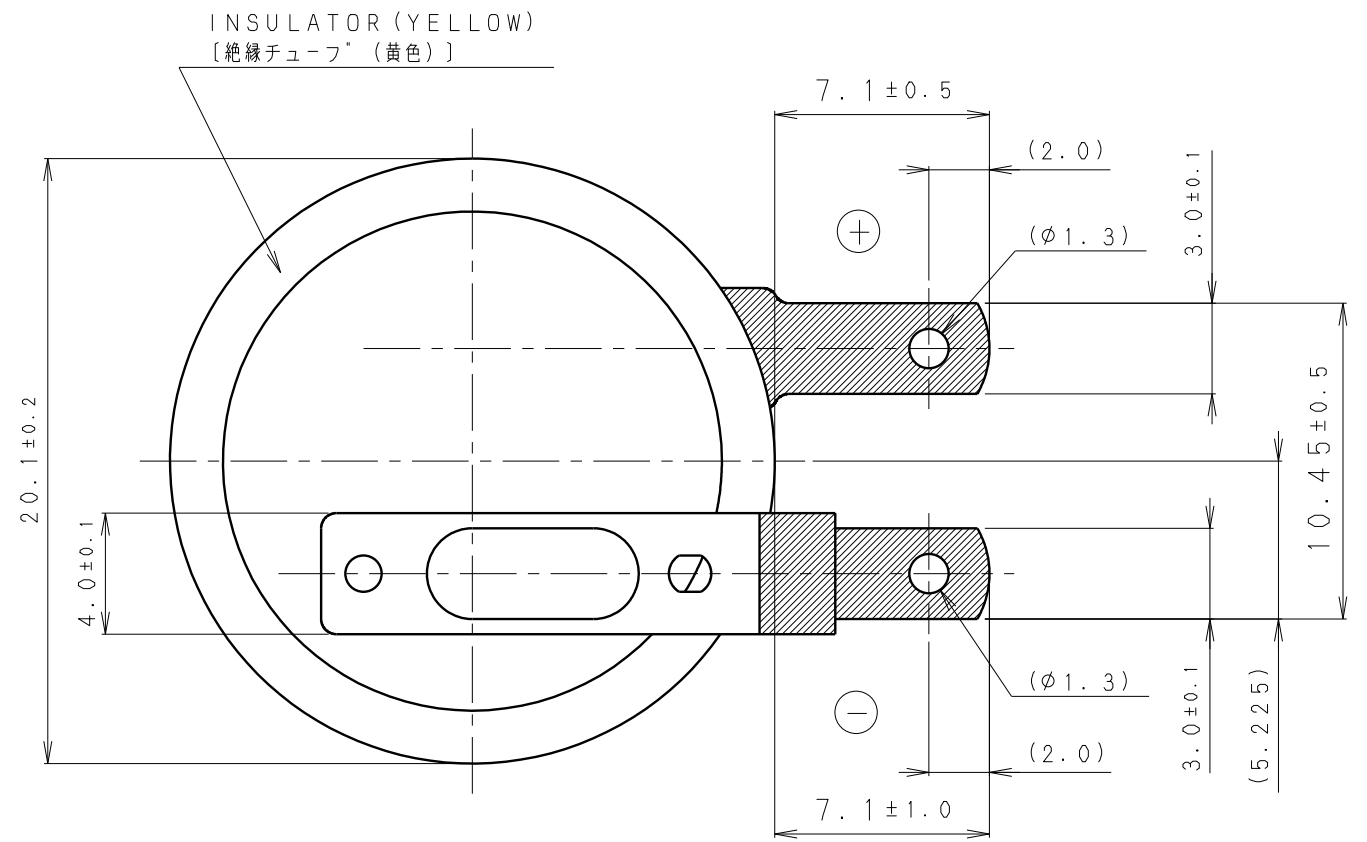


* NOTE [注記]

1. TAB PULLING STRENGTH OVER 14.7N [端子溶接強度: 14.7N以上]
2. TAB MATERIAL: STAINLESS STEEL WITH TIN PLATING [端子材料: 基材 ステンレス/表面 部分Snメッキ]
3. (): REFERENCE DIMENSION AND ANGLE [() 寸法、角度は参考値]

PRODUCT NO.	CR-2032/F2N	SCALE	4:1
DRAWING NO.	PMFA6Z	REV.	0
			UNIT:mm



* NOTE [注記]

- TAB PULLING STRENGTH OVER 14.7N [端子溶接強度: 14.7N以上]
- TAB MATERIAL: STAINLESS STEEL WITH TIN PLATING [端子材料: 基材 ステンレス/表面 部分Snメッキ]
- (): REFERENCE DIMENSION AND ANGLE [() 寸法、角度は参考値]

PRODUCT NO.	CR-2032/F4N	SCALE	4:1
DRAWING NO.	PMFB6Z	REV.	0
			UNIT:mm