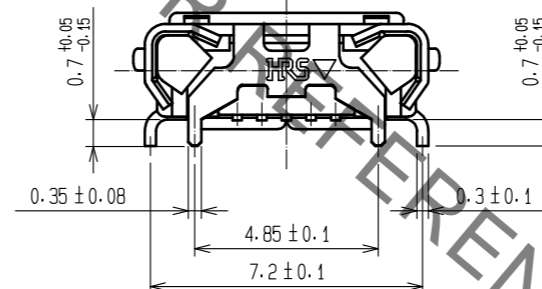
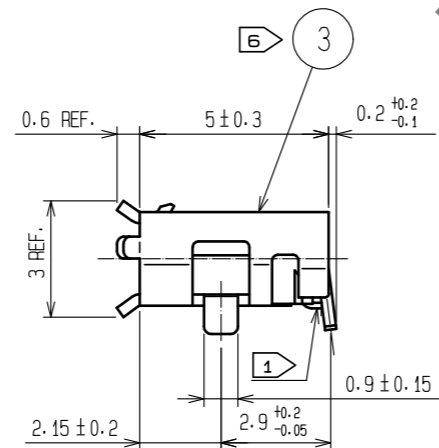
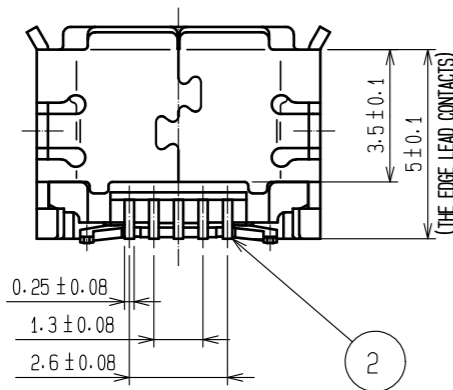
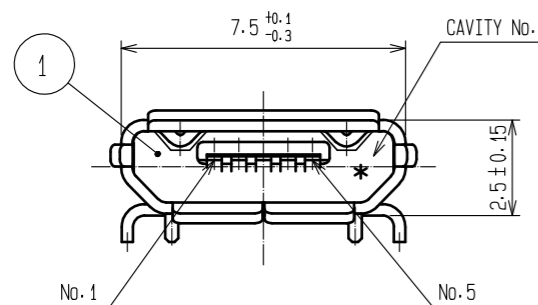
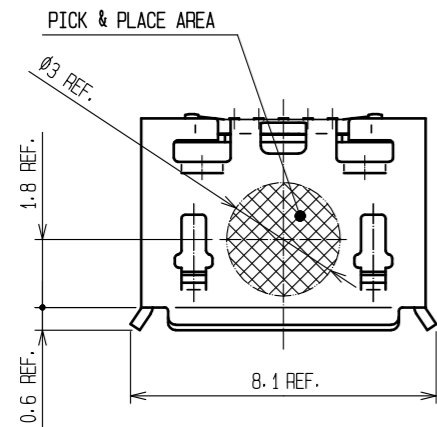
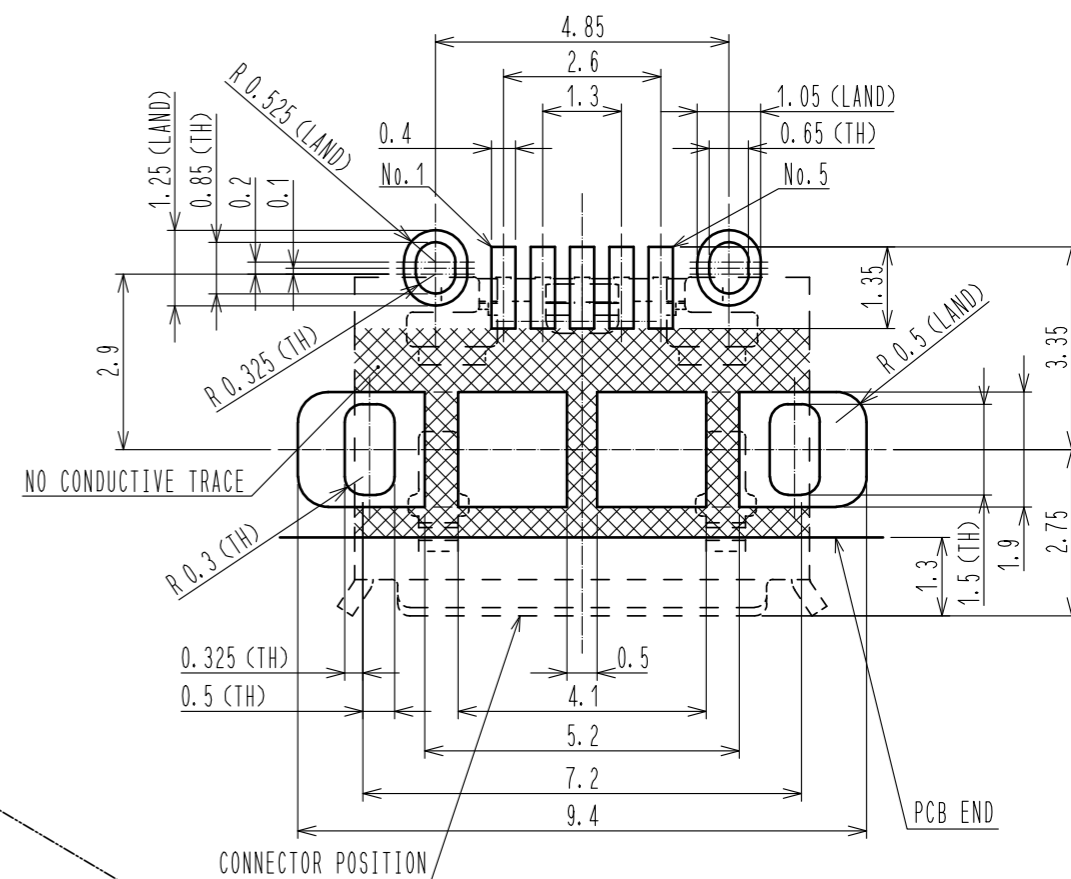


Jan.1.2022 Copyright 2022 HIROSE ELECTRIC CO., LTD. All Rights Reserved.  
 In case of consideration for using Automotive equipment / device which demand high reliability, kindly contact our sales window correspondents.



HRS DRAWING FOR REFERENCE

PCB BOARD PATTERN FOR REFERENCE(FREE)



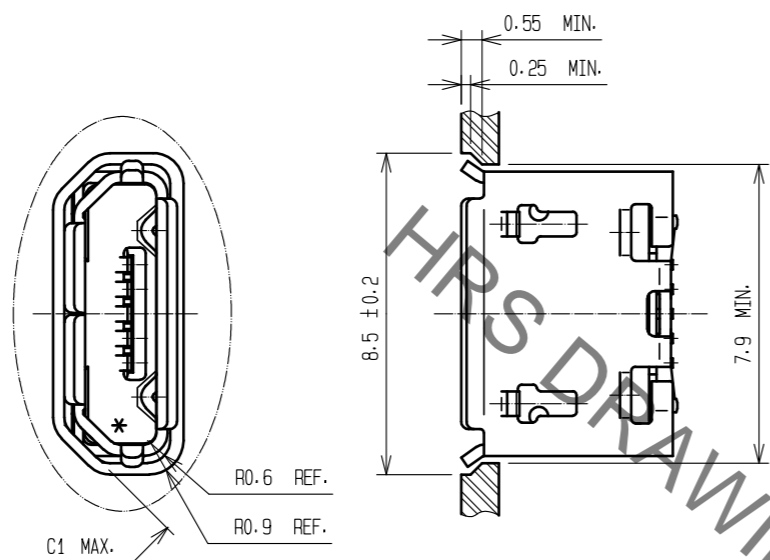
GENERAL TOLERANCE IS ±0.05mm

- NOTES:
- ① CO-PLANARITY IS WITHIN 0.08mm MAX.
  - ② PLATING  
 CONTACT AREA :GOLD 0.05μm MIN OVER PALLADIUM NICKEL 0.75μm MIN.  
 LEAD AREA :GOLD 0.05μm MIN.  
 UNDER PLATING:NICKEL 2μm MIN.
  - ③ PER REEL : 2000 pcs.
  - 4. INTERFACE DIMENSIONS TO USB2.0 SPECIFICATION.
  - 5. AS FOR PART No.3, THE PERFORMANCE REMAINS GOOD EVEN IF THERE IS A RUBBING WOUND BY THE ASSEMBLY PROCESS.
  - ⑥ AS FOR PART No.3, THERE IS NO PROBLEM ON THE QUALITY THOUGH THERE MIGHT BE A DIFFERENCE IN THE COLOR DEPENDING ON THE PLATING PROCESSING LOT.

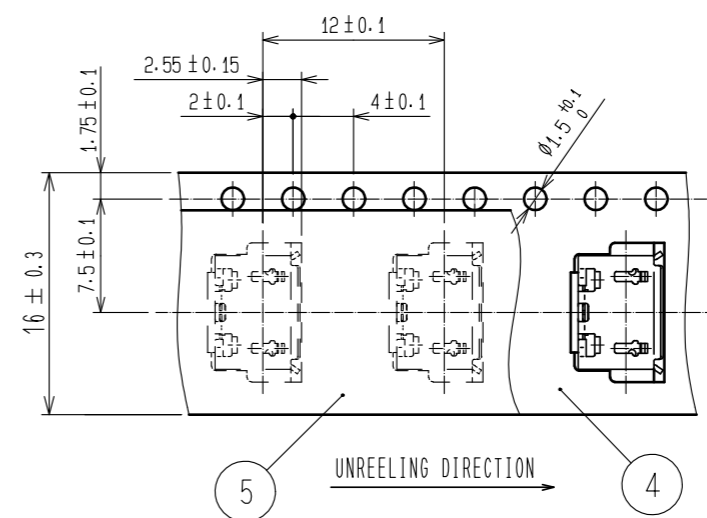
2	COPPER ALLOY	②	5	PE				
1	LCP	BLACK UL94V-0	4	PS				
			3	STAINLESS STEEL	OVER PLATING : TIN 3.8μm MIN. UNDER PLATING : NICKEL 1.25μm MIN. LUBRICANT			
NO.	MATERIAL	FINISH . REMARKS	NO.	MATERIAL	FINISH . REMARKS			
UNITS	mm	SCALE	5 : 1	COUNT	DESCRIPTION OF REVISIONS	DESIGNED	CHECKED	DATE
HRS HIROSE ELECTRIC CO., LTD.		APPROVED : NM. NISHIMATSU	15.10.27	DRAWING NO.	EDC-126863-30-00			
		CHECKED : KN. ICHIKAWA	15.10.27	PART NO.	ZX62D-B-5PA8(30)			
		DESIGNED : TS. ITO	15.10.27	CODE NO.	CL242-0056-3-30			
		DRAWN : AK. AKIYAMA	15.10.27		①/2			

Jan.1.2022 Copyright 2022 HIROSE ELECTRIC CO., LTD. All Rights Reserved.  
 In case of consideration for using Automotive equipment / device which demand high reliability, kindly contact our sales window correspondents.

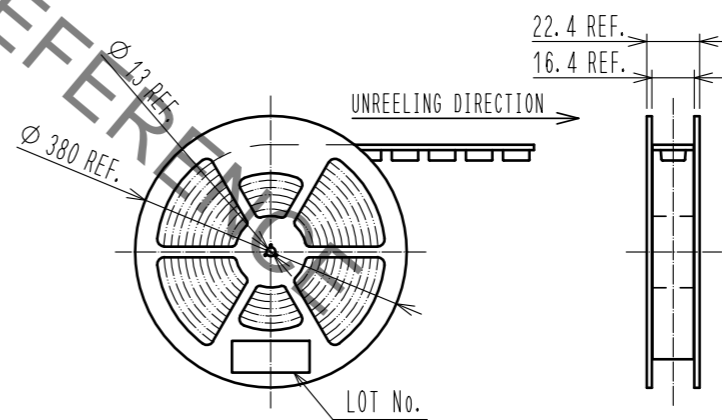
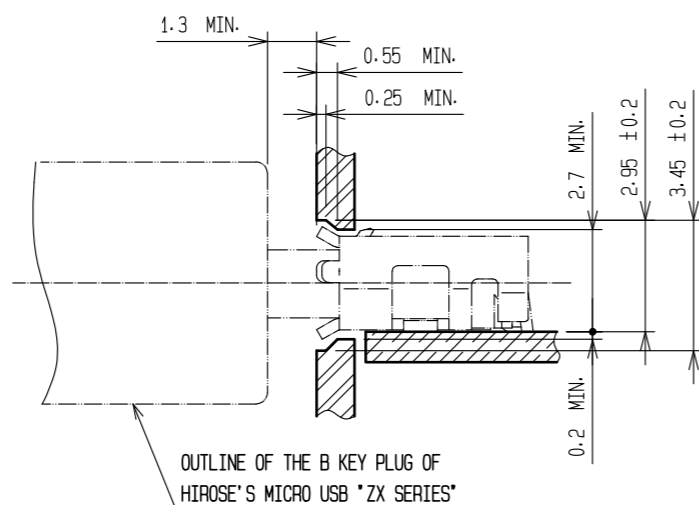
PANEL CUTOUT FOR REFERENCE



③ DRAWING FOR PACKING(FREE)



MATED WITH CORRESPONDING PLUG



<b>HRS</b>	DRAWING NO.	EDC-126863-30-00
	PART NO.	ZX62D-B-5PA8(30)
	CODE NO.	CL242-0056-3-30
		2/2

# Mouser Electronics

Authorized Distributor

Click to View Pricing, Inventory, Delivery & Lifecycle Information:

[Hirose Electric:](#)

[ZX62D-B-5PA8\(30\)](#)