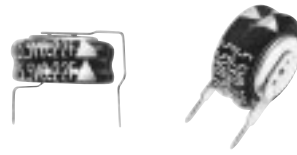


Stacked Coin Type

Series: **SD**

■ Features

- Endurance : 70 °C 1000 h
- RoHS directive compliant



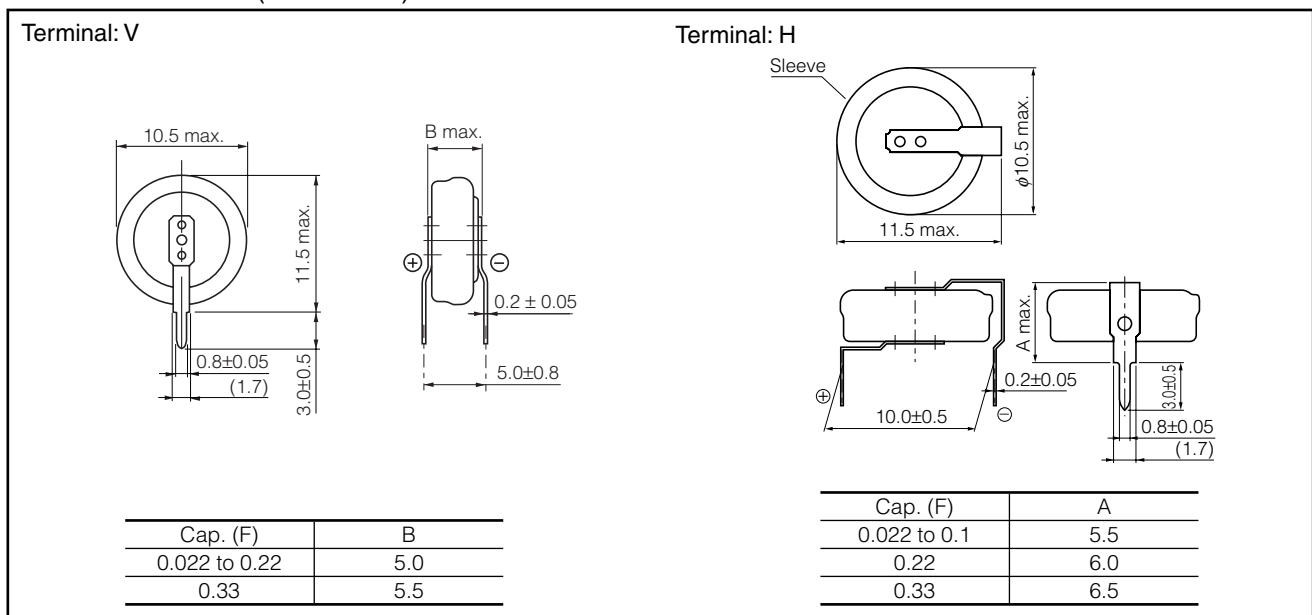
■ Recommended Applications

- Memory back-up for video and audio equipment, cameras, telephones, printers, data terminals, rice cookers, intelligent remote controls

■ Specifications

Category Temp. Range	-25 °C to +70 °C	
Maximum Operating Voltage	5.5 V.DC	
Nominal Cap.Range	0.022 F to 0.33 F	
Characteristics at Low Temperature	Capacitance change	±30 % of initial measured value at +20 °C (-25 °C to +70 °C)
	Internal resistance	≤5 times of initial measured value at +20 °C (at -25 °C)
Endurance	After 1000 hours application of 5.5 V. DC at +70 °C, the capacitor shall meet the following limits.	
	Capacitance change	±30 % of initial measured value
	Internal resistance	≤4 times of initial specified value
Shelf Life	After 1000 hours storage at +70°C without load, the capacitor shall meet the specified limits for Endurance.	

■ Dimensions in mm(not to scale)



■ Standard Products

Maximum Operating Voltage (V.DC)	Capacitance (F)	Capacitance range (F)	Internal resistance (Ω) at 1kHz	Part number	Min. Packaging Q'ty (pcs)
5.5	0.022	0.0176 to 0.0396	≤ 150	EECS0HD 223()	200
	0.047	0.0376 to 0.0846	≤ 120	EECS0HD 473()	200
	0.10	0.080 to 0.180	≤ 75	EECS0HD 104()	200
	0.22	0.176 to 0.396	≤ 75	EECS0HD 224()	200
	0.33	0.264 to 0.594	≤ 75	EECS0HD 334()	200

() Please use V or H, to indicate the terminal style.

Note : Do not use reflow soldering. (IR, Atmosphere heating methods, etc.)

Please refer to P197 "Mounting Specifications".

Mouser Electronics

Authorized Distributor

Click to View Pricing, Inventory, Delivery & Lifecycle Information:

[Panasonic:](#)

[EEC-S0HD104H](#) [EEC-S0HD104V](#) [EEC-S0HD223V](#) [EEC-S0HD473V](#) [EEC-S0HD473H](#) [EEC-S0HD223H](#)