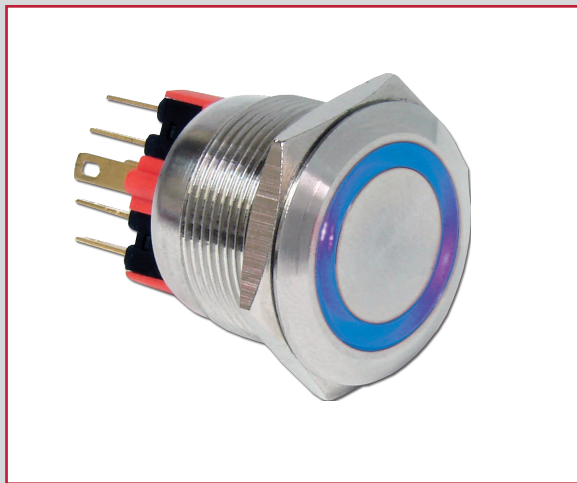
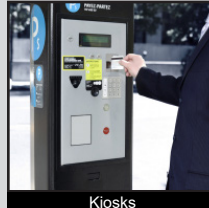


PV7 SERIES ANTI-VANDAL SWITCH

ANTI-VANDAL SWITCHES
DETECTOR SWITCHES
DIP SWITCHES
KEYLOCK SWITCHES
NAVIGATION SWITCHES
PUSHBUTTON SWITCHES
ROCKER SWITCHES
ROTARY SWITCHES
SLIDE SWITCHES
SNAP ACTION SWITCHES
TACTILE SWITCHES
TOGGLE SWITCHES
CAP OPTIONS



APPLICATIONS / MARKETS



SPECIFICATIONS

Electrical Rating: 2A, 48VDC
Electrical Life: 50,000 Cycles
Contact Resistance: 50mΩ Max.
Insulation Resistance: 1000 MΩ Min. @ 500VDC
Dielectric Strength: 2,000VAC
Operating/Storage Temperature: -20°C to 55°C
Travel: 2.20mm
Moisture Protection: IP65
Contact Arrangement: SPDT
Actuation Force: 4 N
Panel Thickness: 1-8mm for Y Function
 1-12mm for T function
Mounting Nut Torque: 5-14Nm

FEATURES & BENEFITS

- 22mm diameter panel cutout
- RGB LED option
- Dot, ring or power symbol illumination available
- Multiple function options
- IP65 rated
- SPDT
- Soldered wire leads (300mm long) optional

PART NUMBER CONFIGURATOR

| Series | Actuator Options | Terminal Options | Function Options | Rating Options | Body Finish Options | Actuator Finish Options | Lens Style Options | LED-Color Options | Illumination Voltage Options | Graphic (Optional) |
|----------------------------------|---------------------------------------|---|--|--|---|---|---|---|--|---|
| <input type="text" value="PV7"/> | <input type="text" value="F - Flat"/> | <input type="text" value="2 - Solder W - Wire Leads 300mm long"/> | <input type="text" value="T - 1 Pole Off - On 1 Pole On - Off Y - 1 Pole Off - (On) 1 Pole On - (Off)"/> | <input type="text" value="0 - 2A, 48VDC"/> | <input type="text" value="S - Stainless Steel 1 - Black Anodized"/> | <input type="text" value="S - Stainless Steel 1 - Black Anodized"/> | <input type="text" value="NONE - Non- Illuminated 2 - Dot Illumination 3 - Ring Illumination"/> | <input type="text" value="NONE - Non- Illuminated 0 - White 1 - Red 2 - Orange 3 - Green 4 - Blue 5 - Yellow F - Red/Orange G - Red/Green H - Red/Blue J - Red/Yellow K - Orange/Green L - Orange/Blue M - Orange/Yellow R - RGB LED"/> | <input type="text" value="NONE - Non- Illuminated 1 - Base Voltage 3 - 6V 4 - 12V 5 - 24V 6 - 125V 7 - 250V"/> | <input type="text" value="M01 - Power symbol (sm) laser etched M03 - Power symbol illuminated M16 - Power symbol (lg) laser etched"/> |

NOTES:
 *() denotes function is momentary

Specifications subject to change without notice 5.19.2021



E-SWITCH®

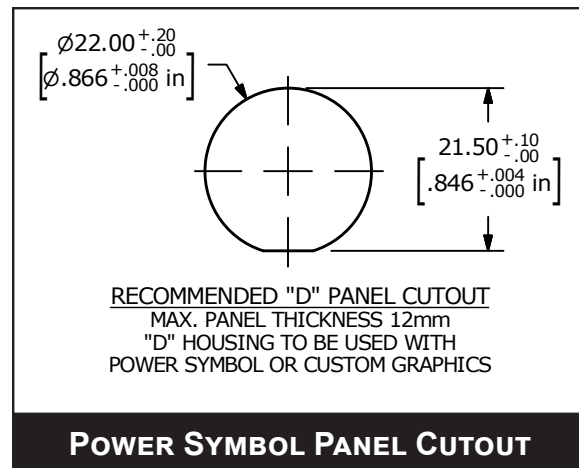
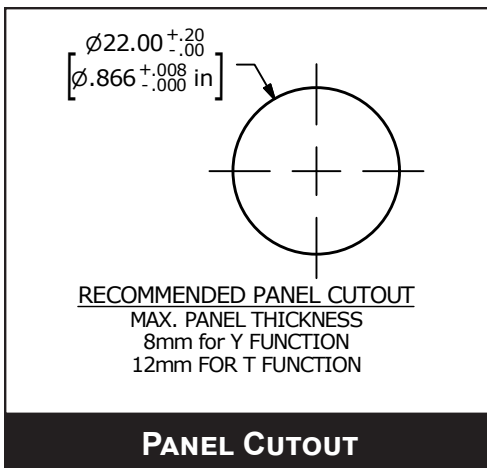
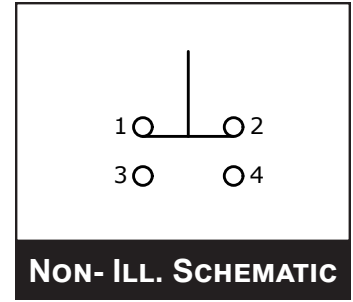
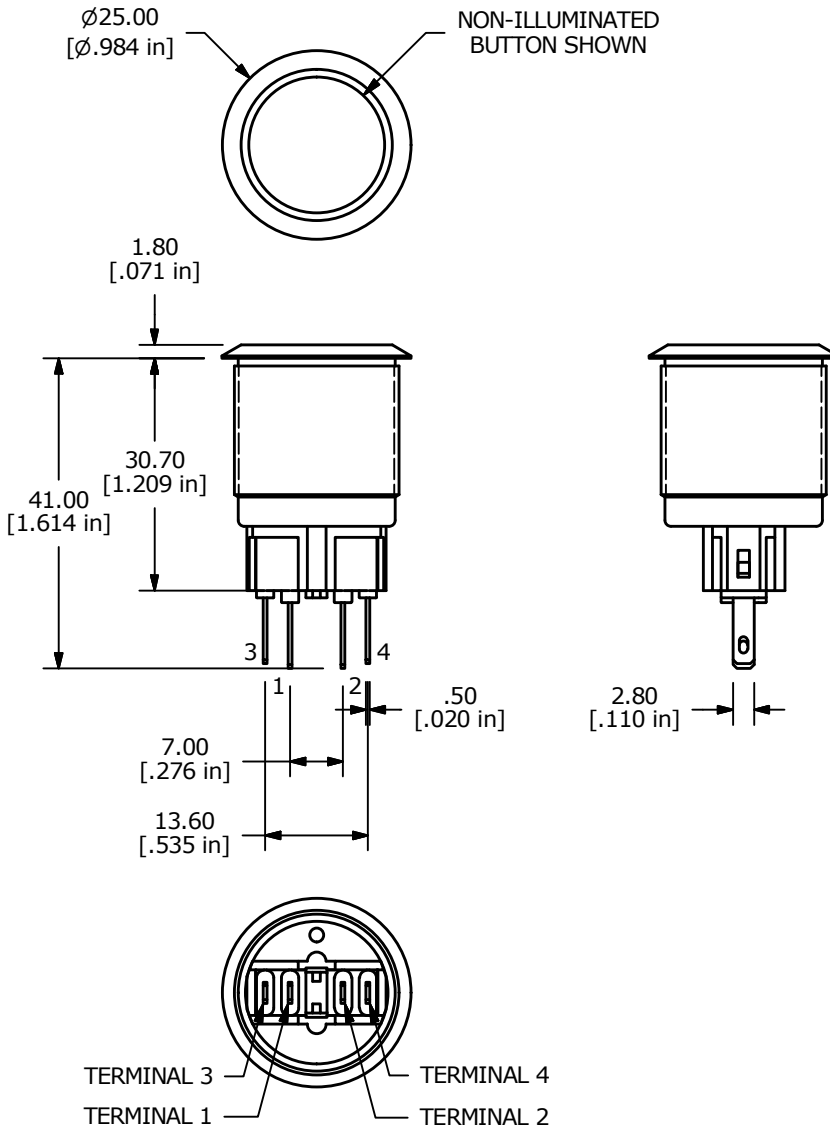
www.e-switch.com

800.867.2717

1

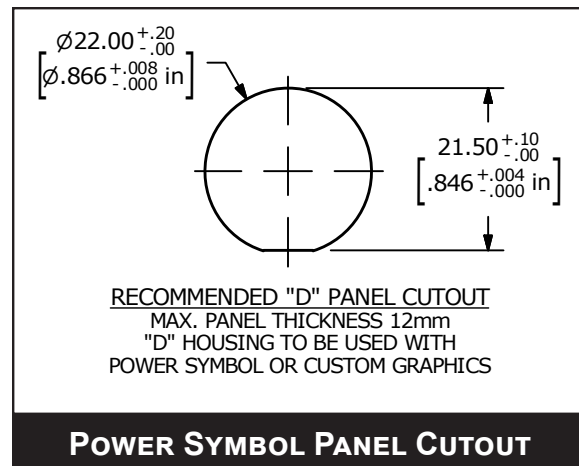
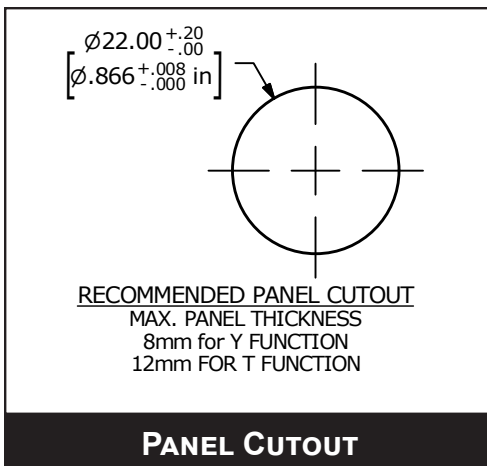
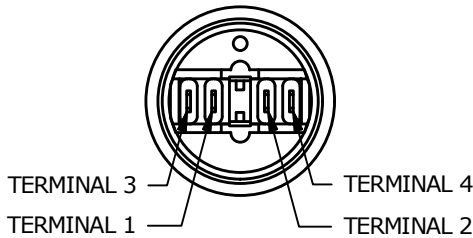
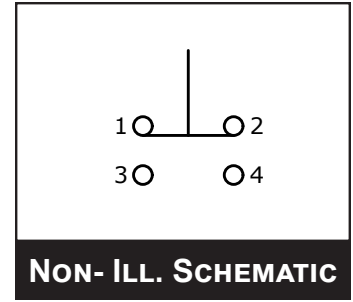
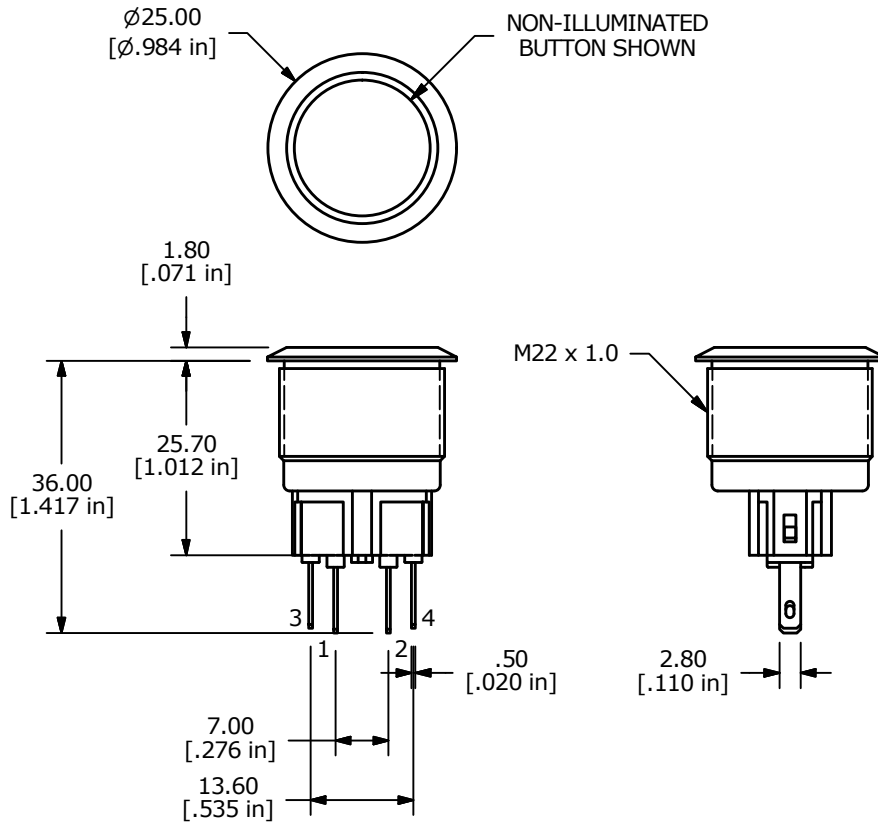
PV7 SERIES ANTI-VANDAL SWITCH

NON ILLUMINATED T FUNCTION



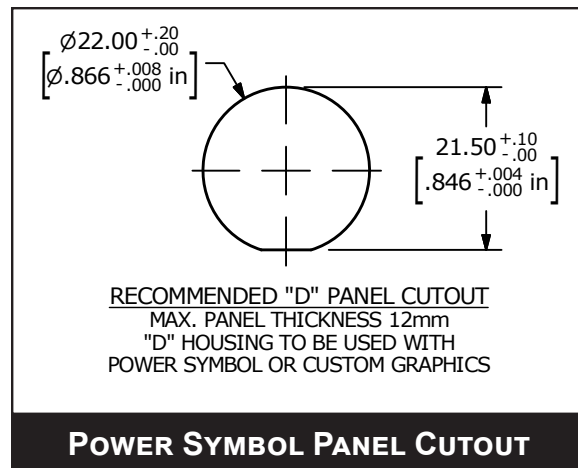
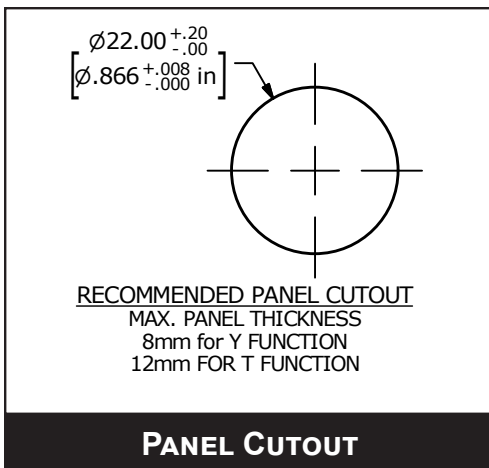
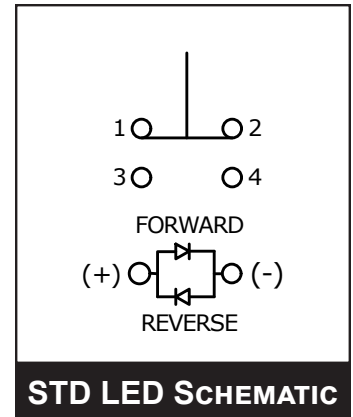
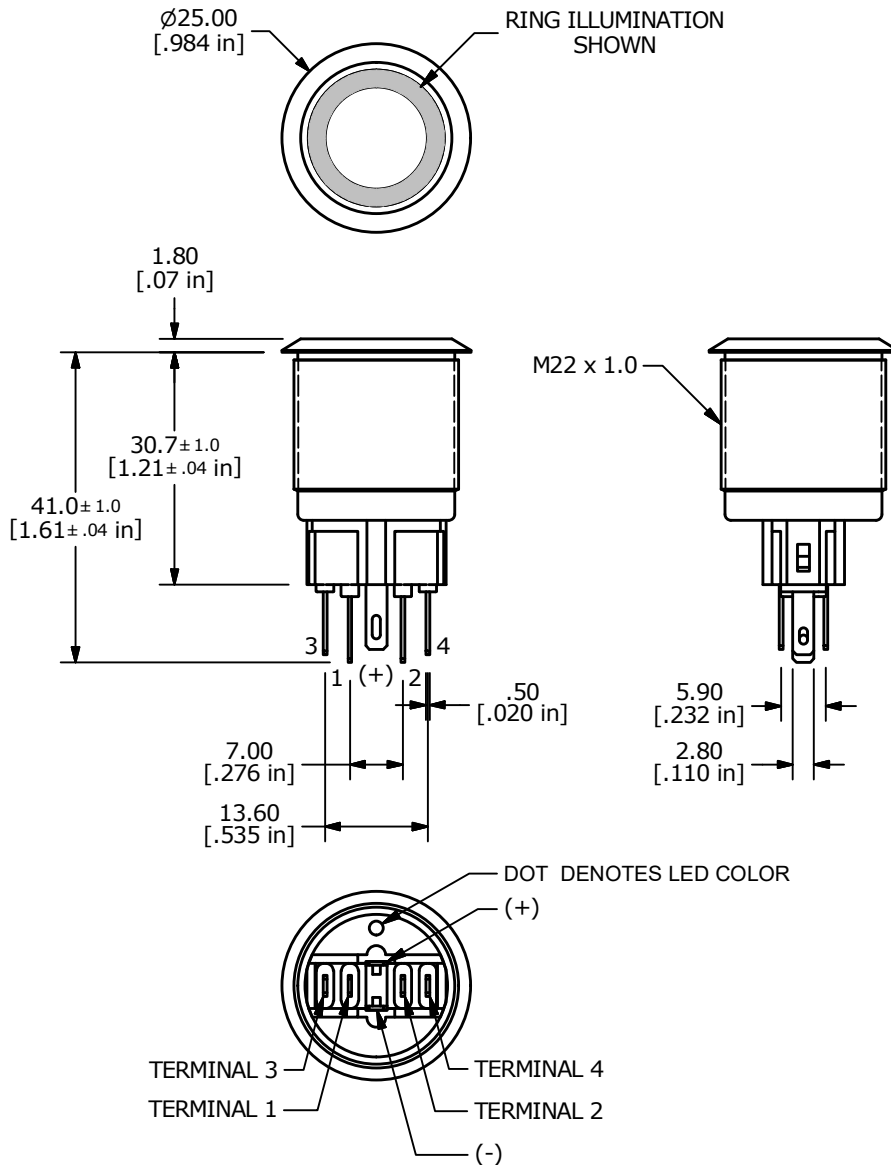
PV7 SERIES ANTI-VANDAL SWITCH

NON ILLUMINATED Y FUNCTION



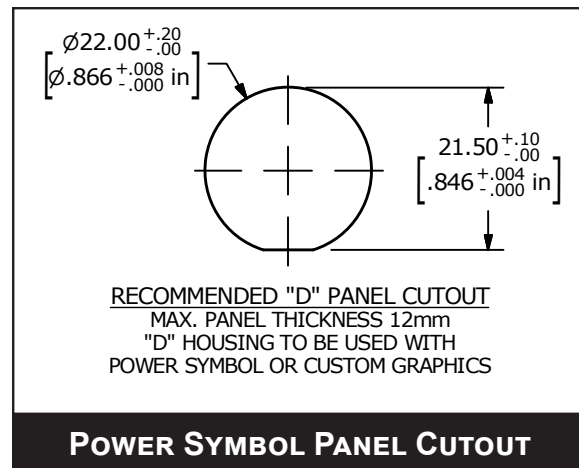
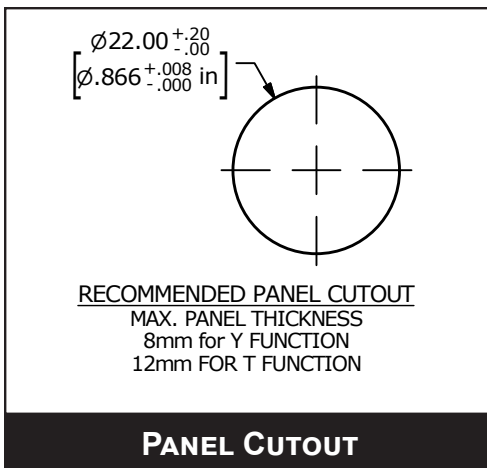
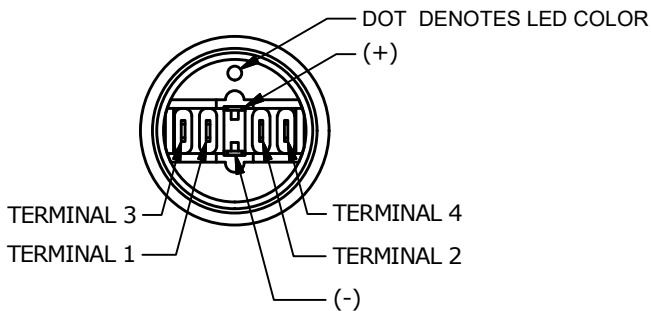
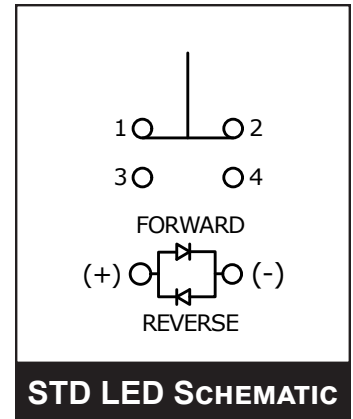
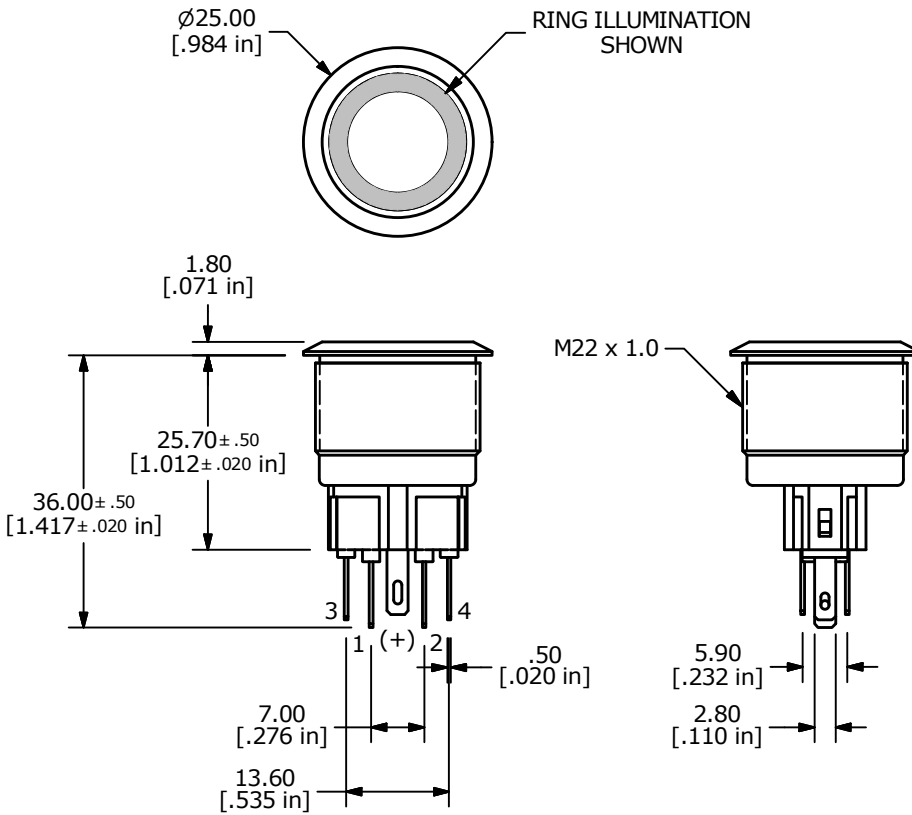
PV7 SERIES ANTI-VANDAL SWITCH

STANDARD LED T FUNCTION



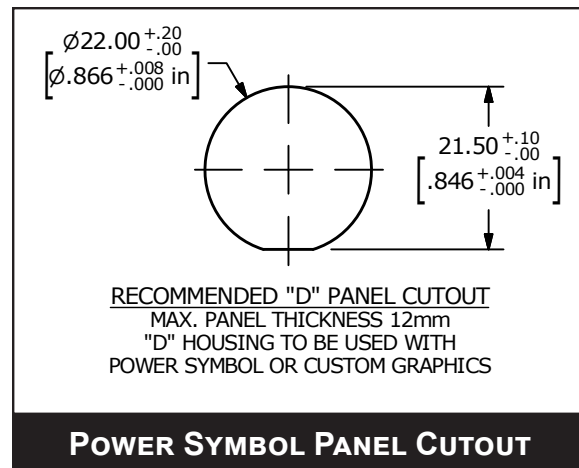
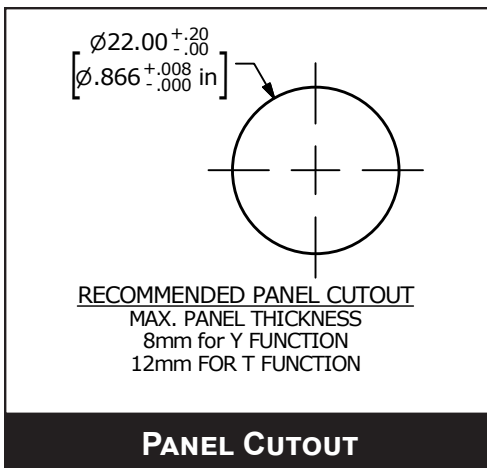
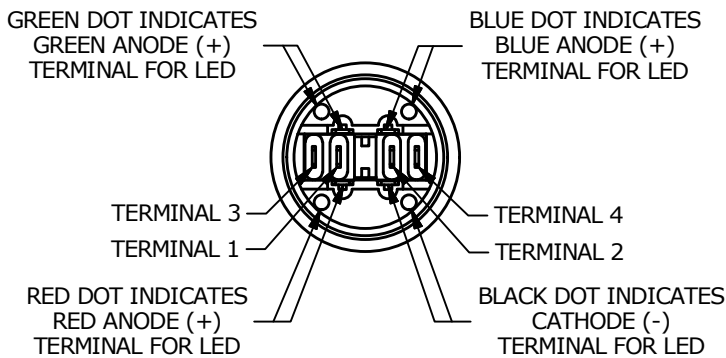
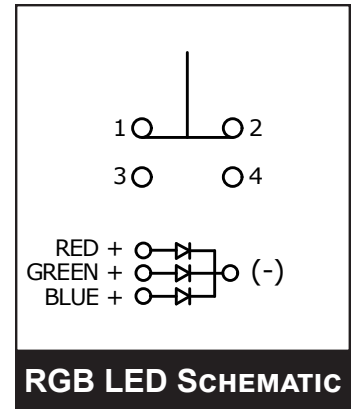
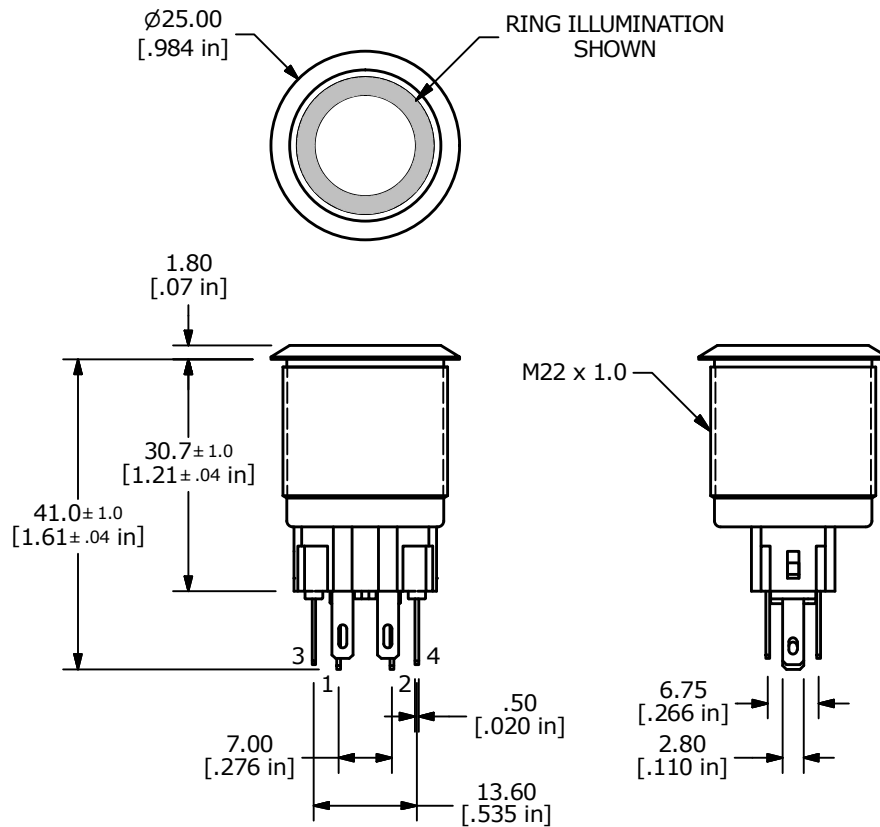
PV7 SERIES ANTI-VANDAL SWITCH

STANDARD LED Y FUNCTION



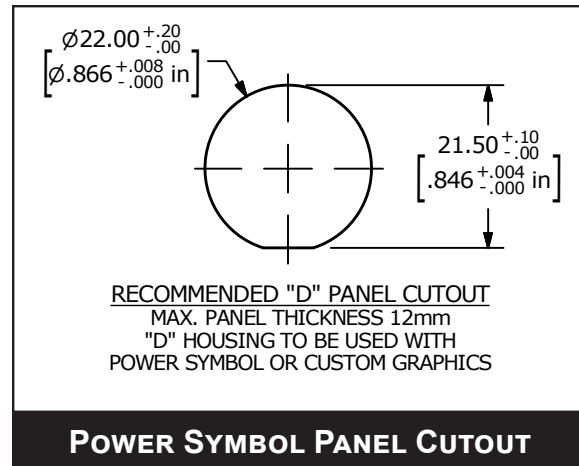
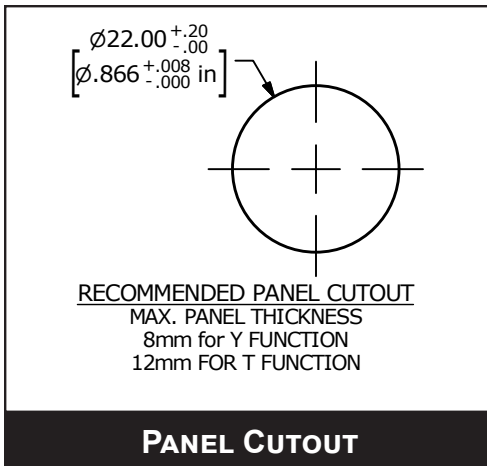
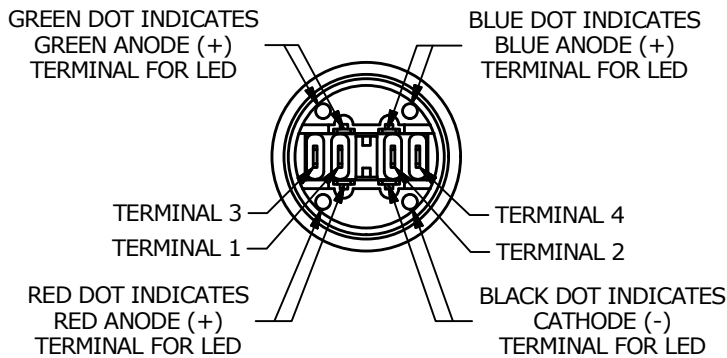
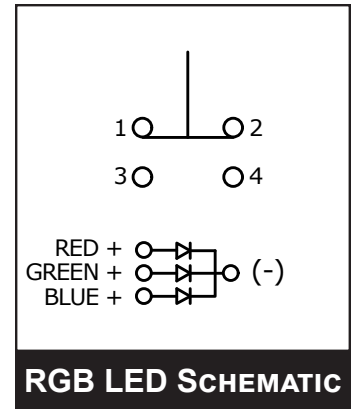
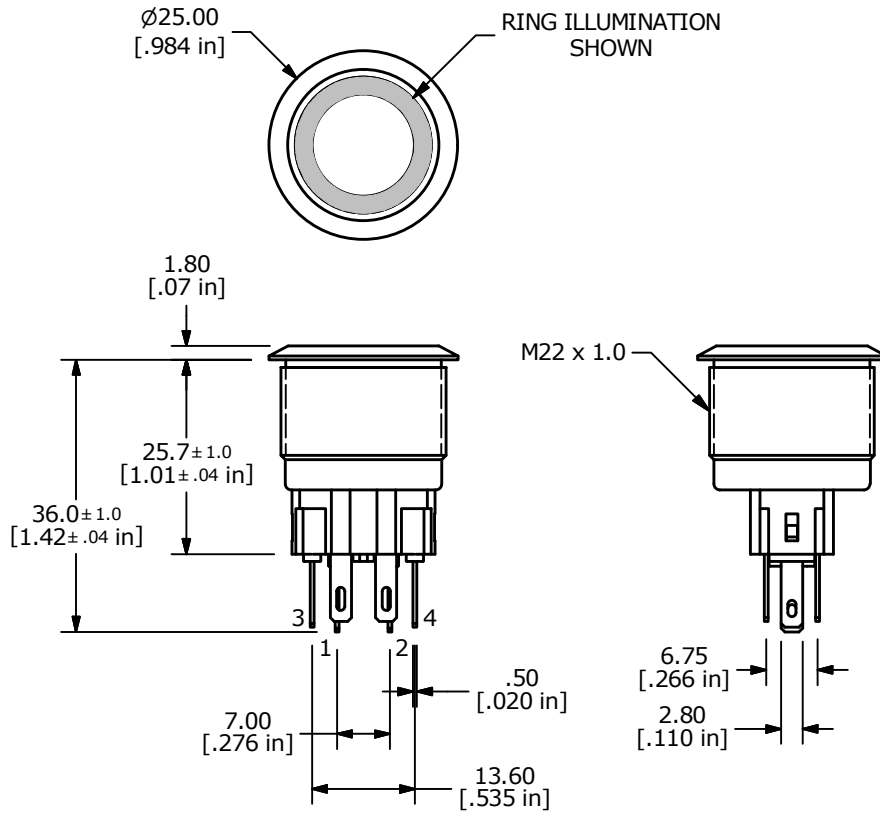
PV7 SERIES ANTI-VANDAL SWITCH

RGB LED T FUNCTION



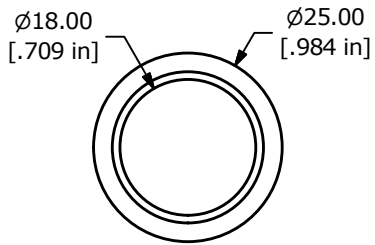
PV7 SERIES ANTI-VANDAL SWITCH

RGB LED Y FUNCTION

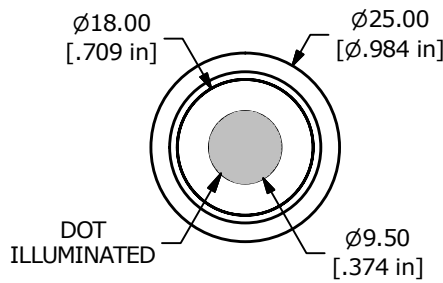


PV7 SERIES ANTI-VANDAL SWITCH

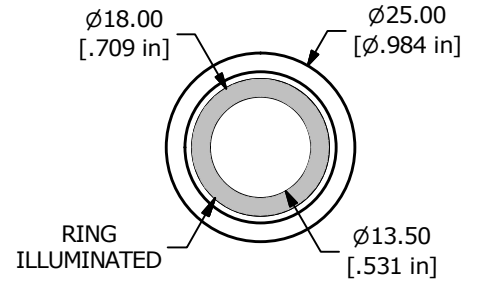
ACTUATOR OPTIONS



FLAT NON-ILLUMINATED

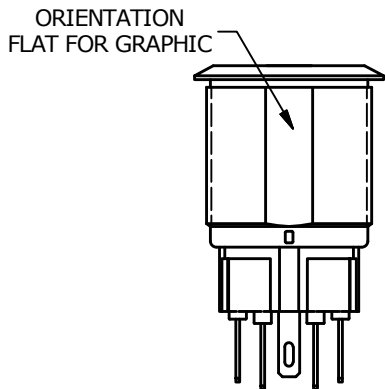
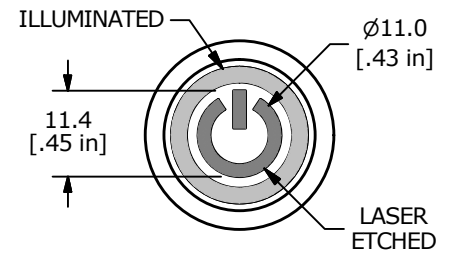
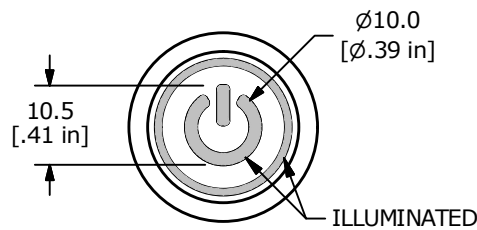
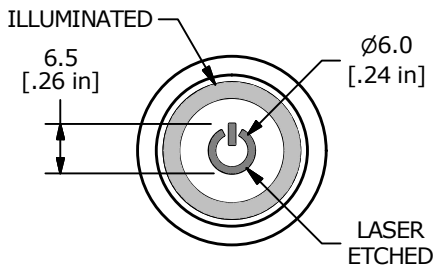


FLAT DOT ILLUMINATED

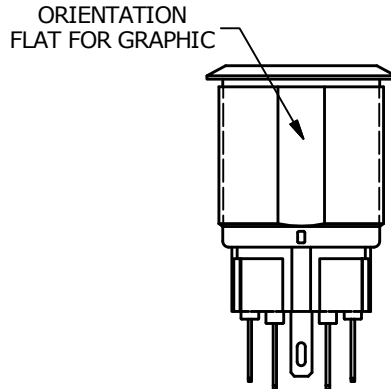


FLAT RING ILLUMINATED

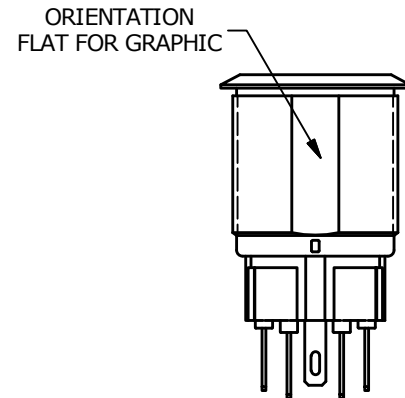
GRAPHIC OPTIONS



M01



M03



M16



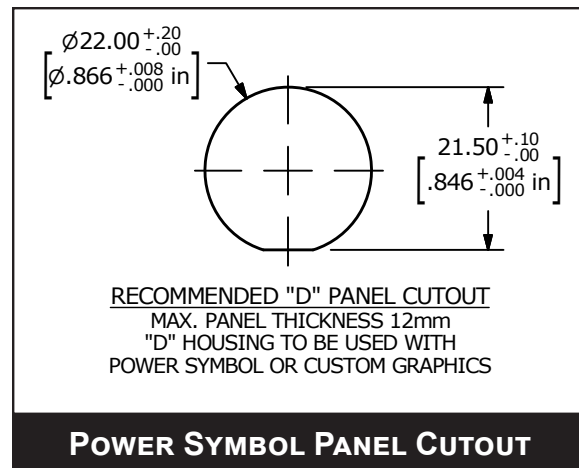
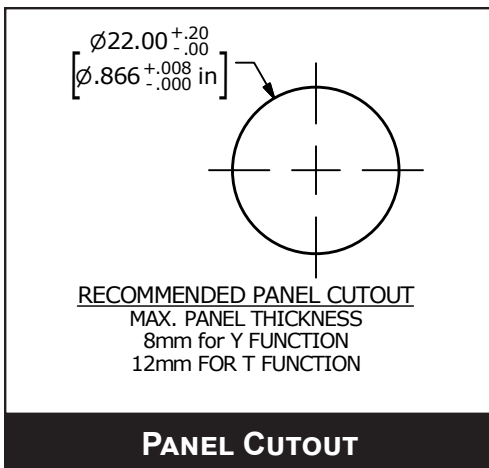
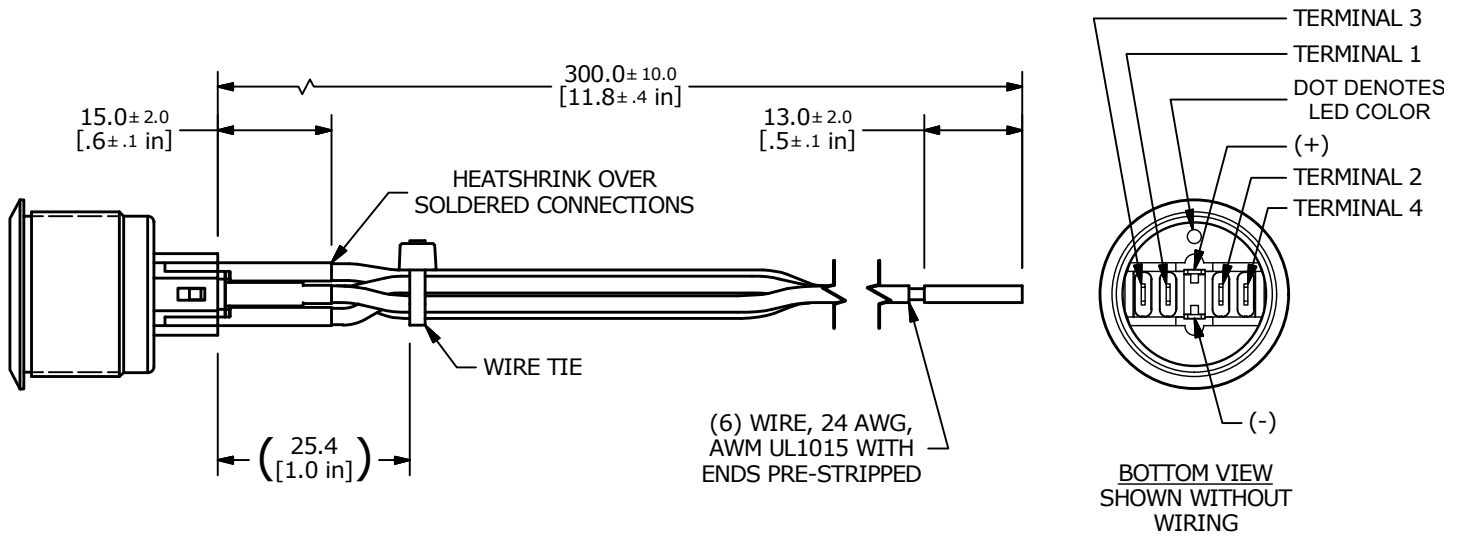
ANTI-VANDAL SWITCHES
DETECTOR SWITCHES
DIP SWITCHES
KEYLOCK SWITCHES
NAVIGATION SWITCHES
PUSHBUTTON SWITCHES
ROCKER SWITCHES
ROTARY SWITCHES
SLIDE SWITCHES
SNAP ACTION SWITCHES
TACTILE SWITCHES
TOGGLE SWITCHES
CAP OPTIONS

PV7 SERIES ANTI-VANDAL SWITCH

STANDARD LED WIRE LEAD

| SWITCH | WIRE | LENGTH |
|----------|-------------------------------|-----------------|
| SW1-1 | WIRE, 24AWG AWM UL1015, WHITE | 300.0 [11.8 in] |
| SW1-2 | WIRE, 24AWG AWM UL1015, WHITE | 300.0 [11.8 in] |
| SW1-3 | WIRE, 24AWG AWM UL1015, BLUE | 300.0 [11.8 in] |
| SW1-4 | WIRE, 24AWG AWM UL1015, BLUE | 300.0 [11.8 in] |
| SW1- (+) | WIRE, 24AWG AWM UL1015, RED | 300.0 [11.8 in] |
| SW1- (-) | WIRE, 24AWG AWM UL1015, BLACK | 300.0 [11.8 in] |

** WIRE LEADS PROVIDED ARE DEPENDANT ON THE FUNCTION AND/OR ILLUMINATION SELECTED **

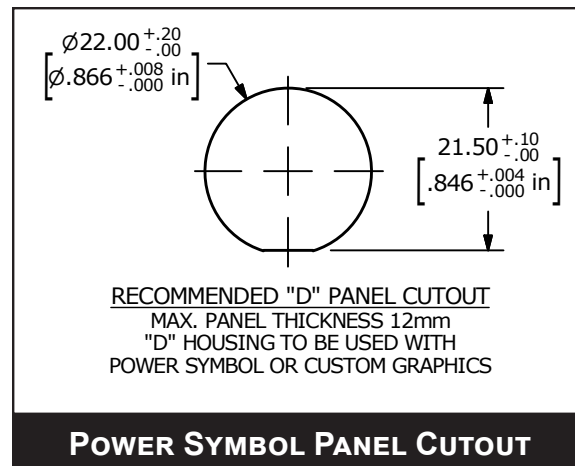
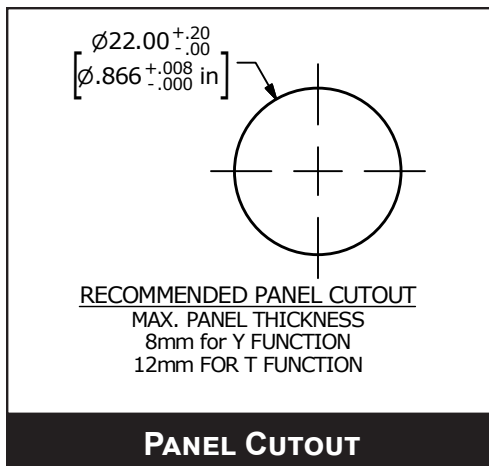
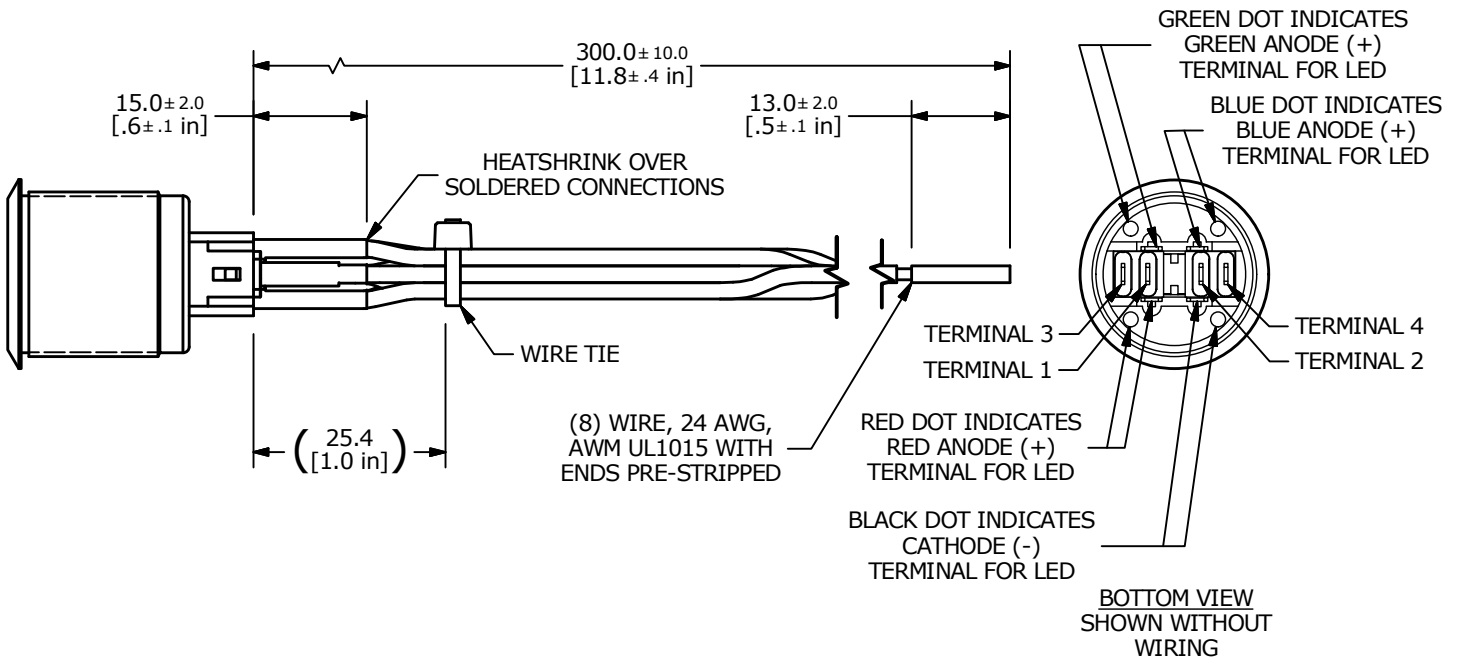


PV7 SERIES ANTI-VANDAL SWITCH

RGB LED WIRE LEAD

| SWITCH | WIRE | LENGTH |
|---------------|--------------------------------|-----------------|
| SW1-1 | WIRE, 24AWG AWM UL1015, WHITE | 300.0 [11.8 in] |
| SW1-2 | WIRE, 24AWG AWM UL1015, WHITE | 300.0 [11.8 in] |
| SW1-3 | WIRE, 24AWG AWM UL1015, YELLOW | 300.0 [11.8 in] |
| SW1-4 | WIRE, 24AWG AWM UL1015, YELLOW | 300.0 [11.8 in] |
| SW1-RED (+) | WIRE, 24AWG AWM UL1015, RED | 300.0 [11.8 in] |
| SW1-GREEN (+) | WIRE, 24AWG AWM UL1015, GREEN | 300.0 [11.8 in] |
| SW1-BLUE (+) | WIRE, 24AWG AWM UL1015, BLUE | 300.0 [11.8 in] |
| SW1- (-) | WIRE, 24AWG AWM UL1015, BLACK | 300.0 [11.8 in] |

** WIRE LEADS PROVIDED ARE DEPENDANT ON THE FUNCTION AND/OR ILLUMINATION SELECTED **



Mouser Electronics

Authorized Distributor

Click to View Pricing, Inventory, Delivery & Lifecycle Information:

E-Switch:

[PV7F2T0SS-324](#) [PV7F2T0SS-344-M03](#) [PV7F2Y0SS-231](#) [PV7F2Y0SS-315](#) [PV7F2Y0SS-324](#) [PV7F2Y0SS-325](#)
[PV7F2Y0SS-335](#) [PV7F2Y0SS-344](#) [PV7F2Y0SS-354](#) [PV7F2Y0SS-355](#) [PV7F2Y0SS-311](#) [PV7F2T0SS-311](#)
[PV7F2T0SS-341](#) [PV7F2T0SS-331](#) [PV7F2Y0SS-331](#) [PV7F2Y0SS-341](#) [PV7F2T0SS-344](#) [PV7F2Y0SS](#) [PV7F2Y0SS-](#)
[241](#) [PV7F2Y0SS-351](#) [PV7F2Y0SS-3L4](#) [PV7F2Y0SS-3Q1](#) [PV7F2T0SS-231](#) [PV7F2T0SS-3G3](#) [PV7F2Y0SS-314](#)
[PV7F2T0SS-316](#) [PV7F2T0SS](#) [PV7F2Y0SS-345](#) [PV7F2T0SS-325](#) [PV7F2T0SS-355](#) [PV7F2T0SS-314](#) [PV7F2T0SS-](#)
[335](#) [PV7F2T0SS-341-M03](#) [PV7F2T0SS-345](#) [PV7F2Y0SS-321](#) [PV7F2T011-311](#) [PV7F2Y011-311](#) [PV7F2T0SS-341-](#)
[M01](#) [PV7F2T0SS-313](#) [PV7F2Y0SS-313](#) [PV7F2T0SS-301](#) [PV7F2Y0SS-343](#) [PV7F2T011-3R4](#) [PV7F2Y0SS-3R3](#)
[PV7F2T0SS-3R1](#) [PV7F2Y011-3R4](#) [PV7F2Y0SS-3R4](#) [PV7F2T0SS-3R4](#) [PV7F2Y0SS-3G4](#) [PV7F2Y011-3R3](#)
[PV7F2Y0SS-3K1-M03](#) [PV7F2Y0SS-301](#) [PV7F2Y0SS-334](#) [PV7F2Y0SS-301-M03](#) [PV7F2T0SS-351](#) [PV7F2Y011-314](#)
[PV7F2Y0SS-341-M03](#) [PV7F2Y0SS-3R5](#) [PV7FWY0SS-331](#) [PV7FWT0SS-341](#) [PV7FWT0SS-3R1](#) [PV7FWY0SS-311](#)
[PV7FWY0SS-341](#) [PV7FWY0SS-3R3](#) [PV7F2Y0SS-333](#) [PV7F2Y011-345](#) [PV7F2Y0SS-3G1](#) [PV7F2Y0SS-3H1](#)
[PV7F2T0SS-331-M03](#) [PV7F2T0SS-331-M01](#) [PV7F2T0NN-314](#) [PV7F2T0SS-333](#) [PV7F2Y0NN-3N1](#) [PV7F2T0SS-](#)
[301-M16](#) [PV7F2T0SS-3G5](#) [PV7F2Y0SS-341-M01](#) [PV7F2Y0SS-304-M16](#) [PV7F2Y0SS-3R1-M16](#) [PV7FWY0SS-3G4](#)
[PV7F2Y0SS-305](#) [PV7F2Y0SS-3R1](#) [PV7F2Y0SS-3Q1-M03](#) [PV7F2Y0SS-317](#) [PV7F2Y0SS-337](#) [PV7F2Y0SS-353](#)
[PV7F2Y0SS-3G1-M03](#) [PV7F2Y0SS-3N5](#) [PV7F2T011-331](#) [PV7F2T0SS-353](#) [PV7F2T0SS-3L1-M16](#) [PV7F2T0SS-3R5](#)
[PV7F2Y011-3Q1-M03](#) [PV7F2Y0SS-303-M01](#) [PV7F2Y0SS-303-M03](#) [PV7F2T011-344-M03](#) [PV7F2T011](#)
[PV7F2T011-3L4](#) [PV7F2T0SS-3R1-M01](#) [PV7F2T011-3R1-M03](#) [PV7F2Y0SS-345-M03](#)