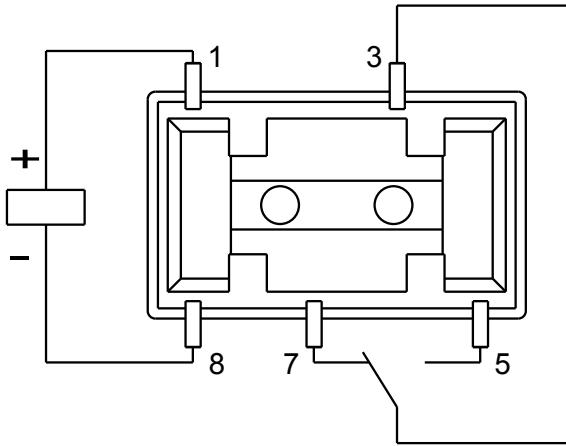
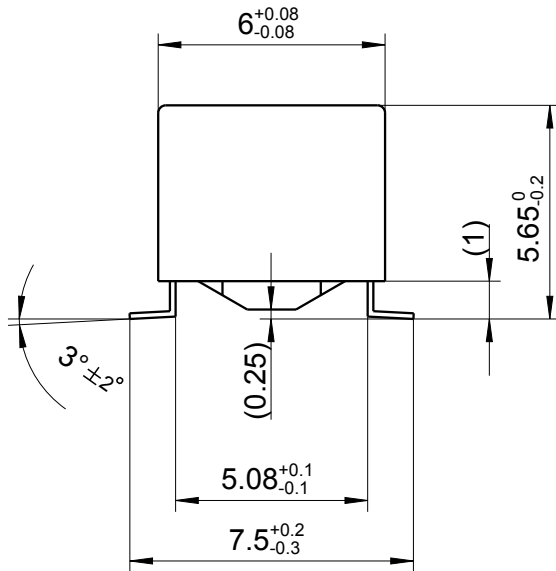
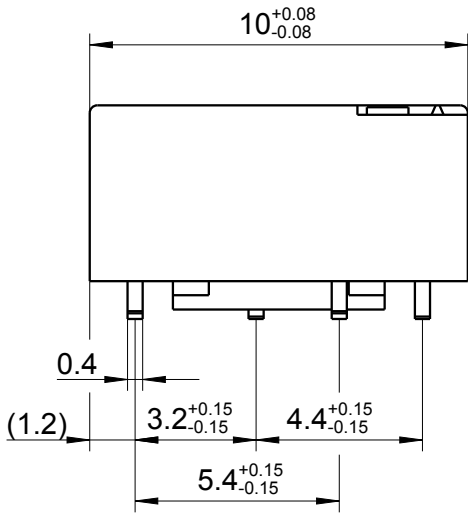


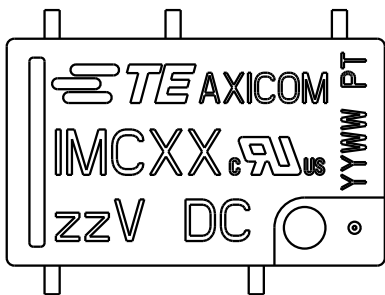
LOC	DIST	REVISIONS					
		P	LTR	DESCRIPTION	DATE	DWN	APVD
HJ	-		A2	REVISED PER ECO-11-005150	25MAR2011	RK	HMR
			A3	UR-marking new	09DEC2011	UKo	AK
			A4	REVISED PER ECR-13-014508 (TE-Logo)	16SEP2013	UKo	AK



Relay - bottom view



Coplanarity < 0.10mm



XX = Relay type  
 zz = nominal voltage  
 YYWW = Date code

RELEASED FOR PUBLICATION

ALL RIGHTS RESERVED.

THIS DRAWING IS UNPUBLISHED.

© COPYRIGHT 2008

DIMENSIONS: mm	DWN	01JUL2008	MATERIAL	-	FINISH	-
	CHK	01JUL2008	TE Connectivity			
TOLERANCES UNLESS OTHERWISE SPECIFIED: DIN 7168-m	UKo	01JUL2008				
0 PLC ±	APVD	01JUL2008	NAME IMC-Relay SMT Gull Wings (1 Form C) Dimensions			
1 PLC ±	PRODUCT SPEC	-				
2 PLC ±	APPLICATION SPEC	-	SIZE	A4	CAGE CODE	00779
3 PLC ±	WEIGHT	-	DRAWING NO	C-1462042-2		RESTRICTED TO
4 PLC ±			CUSTOMER DRAWING			
ANGLES ±			SCALE	5:1	SHEET	1 OF 1
			REV A4			

# Mouser Electronics

Authorized Distributor

Click to View Pricing, Inventory, Delivery & Lifecycle Information:

[TE Connectivity:](#)

[1462042-8](#)