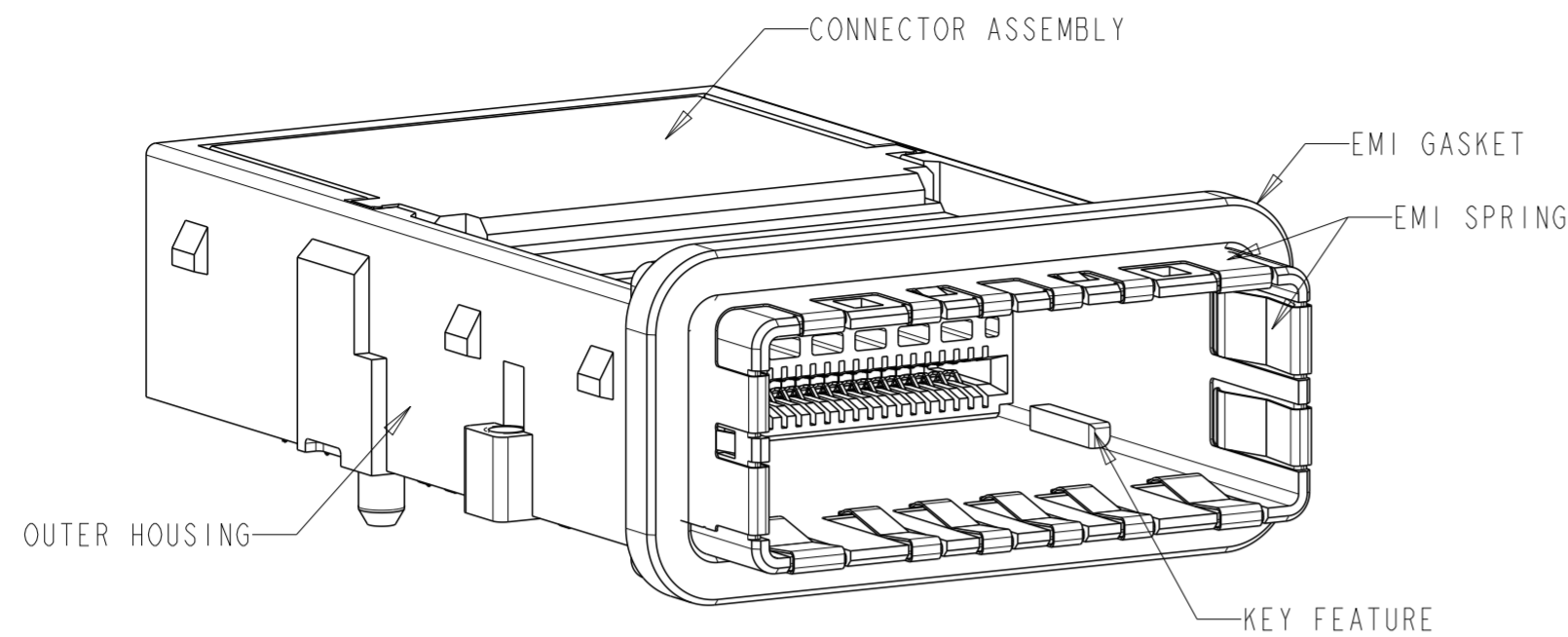
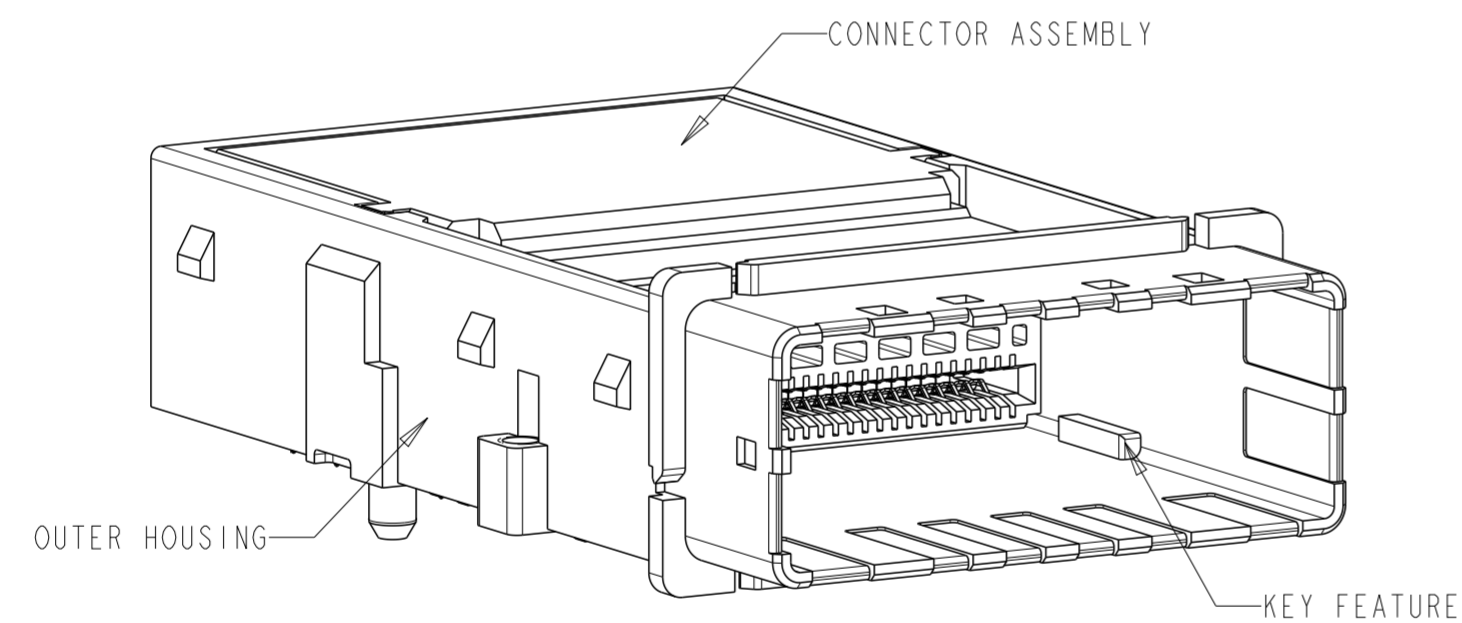


REVISIONS					
P	LTR	DESCRIPTION	DATE	DWN	APVD
A		REVISED PER ECN-22-133482	10JAN2022	AP	JW
A1		ECN-22-134554	13JAN2022	AP	JW
A2		FIXED DIMENSIONS ERROR IN SHEETS	01JUL2022	AJ	SZ
A3		ADD GASKET HEIGHT AND EDIT BOSS DIM	26MAY2023	M.T	H.T

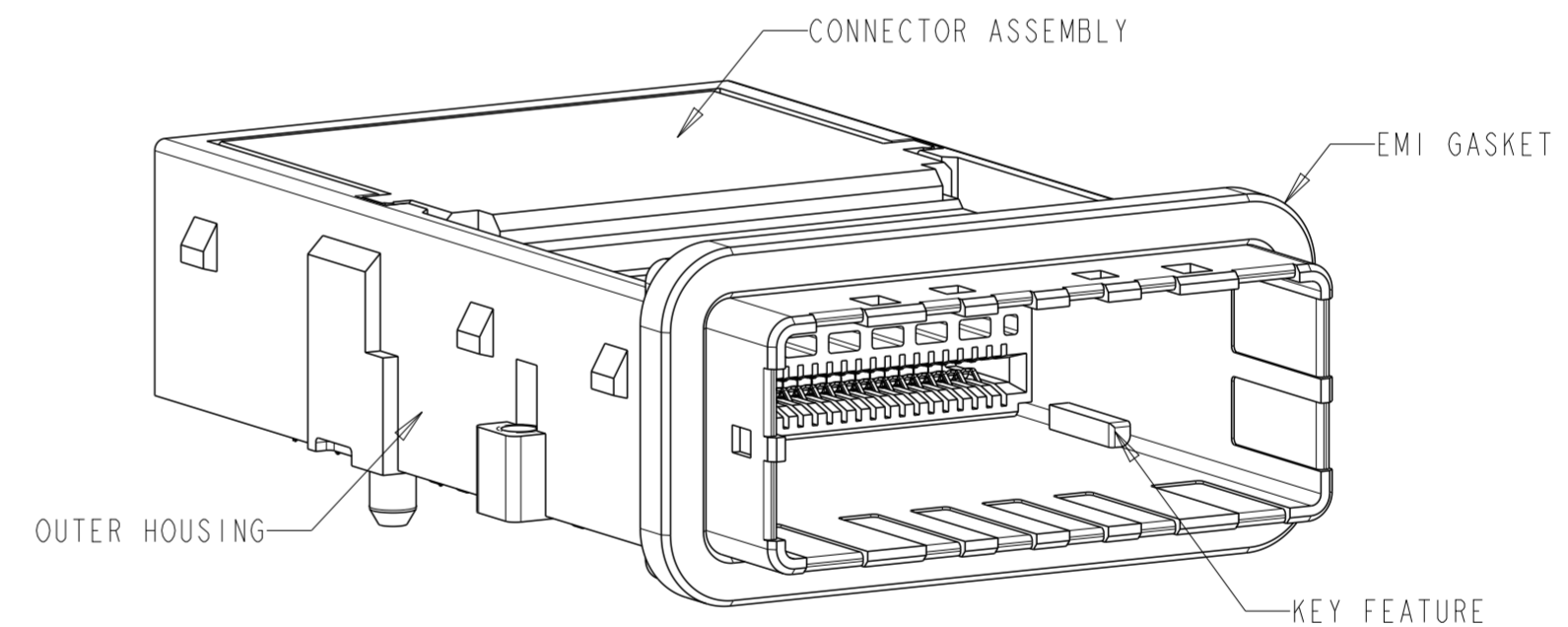


2373624-4 AND 1-2373624-0 AS SHOWN WITH EMI SPRING AND GASKET SCALE 3:1

- 1. OUTER HOUSING - NICKEL PLATED ZINC ALLOY PER ASTM B 240.
CONNECTOR HOUSINGS - LCP, UL 94V-0 RATED.
CHICKLETS - LCP, UL 94V-0 RATED.
CONTACTS - PHOSPHOR BRONZE.
EMI SPRINGS - COPPER ALLOY.
EMI GASKET - CONDUCTIVE ELASTOMER.
- 2. SEE TABLE FOR PLATING.
- 3. PCB THICKNESS 1.57 MINIMUM.
- 4. FOR HOLE SIZE AND PLATINGS, SEE APPLICATION SPEC 114-160099.
- 5. CROSS HATCHED AREA INDICATES REQUIRED CONDUCTIVE AREA ON SURFACE OF PCB. NO COMPONENTS OR TOP SIDE SURFACE TRACES ALLOWED IN THIS AREA.
- 6. MOUNTING HARDWARE REQUIRED:
3X M2X0.4 - SCREW LENGTH = PCB THICKNESS + (2 TO 4).
- 7. PART NUMBERS WITHOUT EMI GASKET AND/OR EMI SPRING WILL ONLY HAVE INCIDENTAL CONTACT TO THE BEZEL AND MODULE RESPECTIVELY, WHICH MAY IMPACT EMI AND ESD PERFORMANCE.



2373624-5 AND 1-2373624-1 AS SHOWN WITHOUT EMI SPRING AND GASKET SCALE 3:1

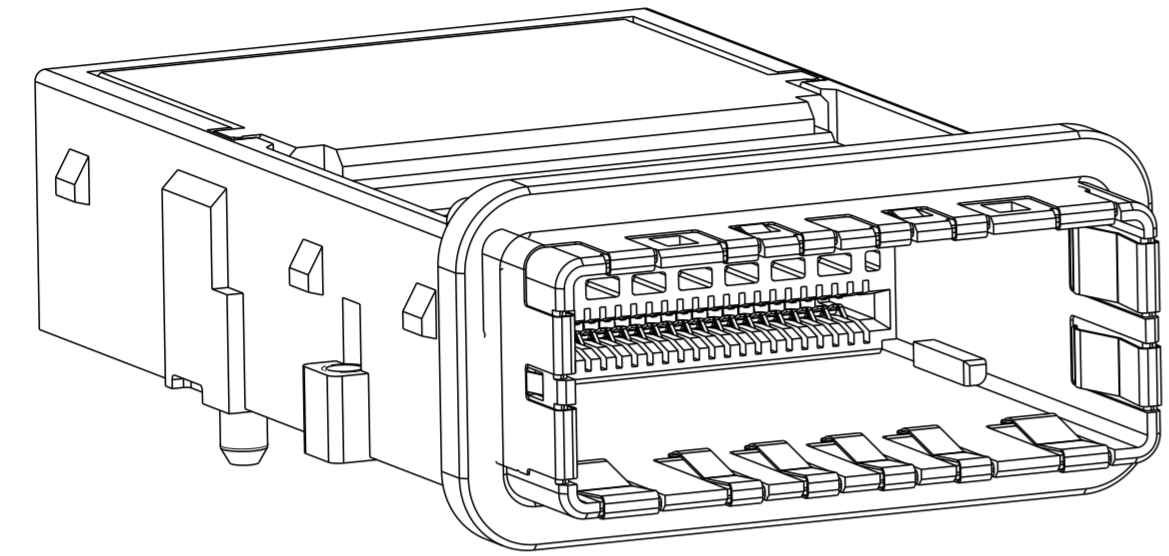


2373624-6 AND 1-2373624-2 AS SHOWN WITH EMI GASKET SCALE 3:1

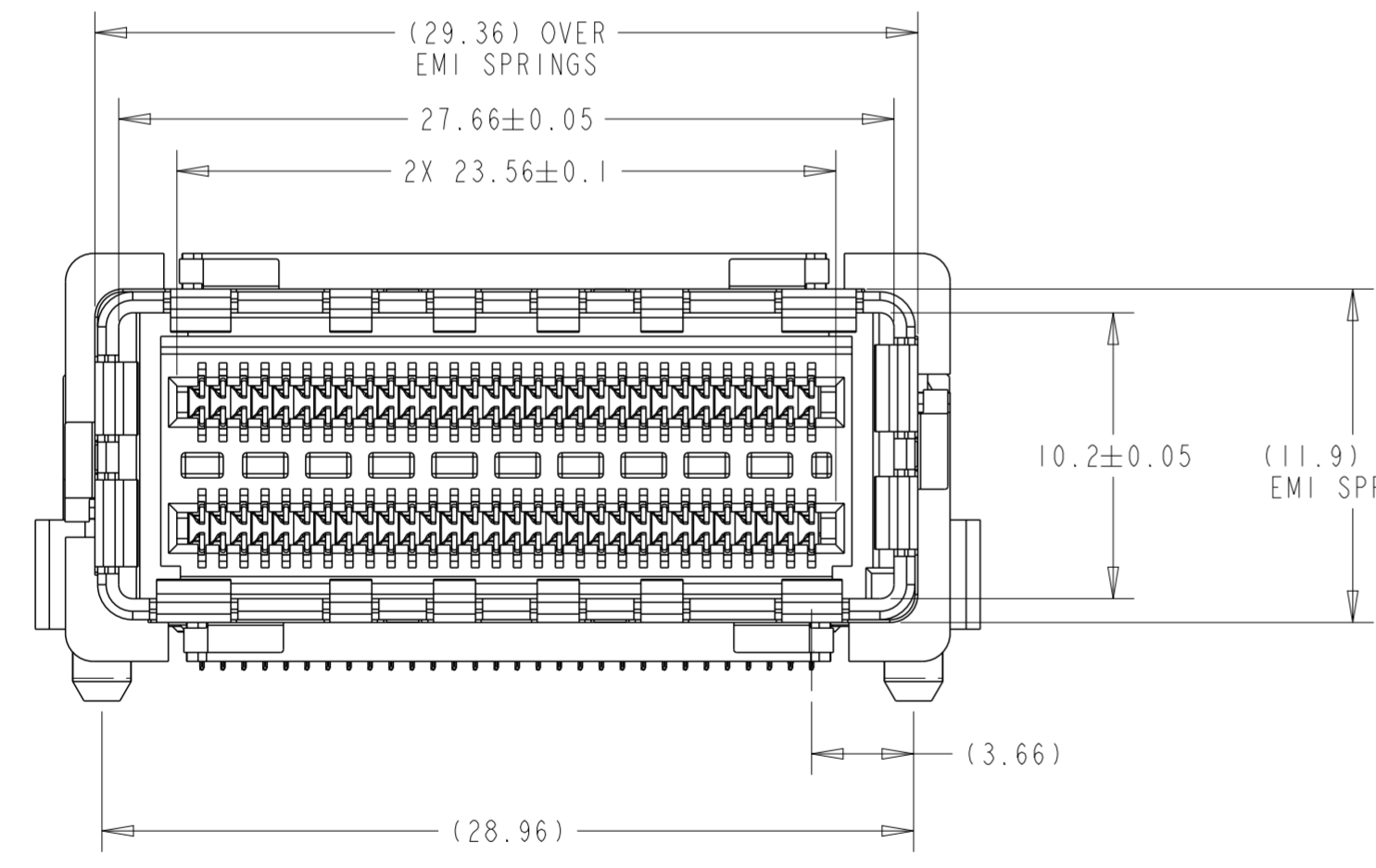
FLASH Au/0.37µm PdNi	STANDARD	NO	YES	1-2373624-2
		NO	NO	1-2373624-1
0.767µm Au	STANDARD	YES	YES	1-2373624-0
		NO	YES	2373624-6
		NO	NO	2373624-5
PLATING	KEYING OPTION	YES	YES	2373624-4
		EMI SPRING	EMI GASKET	PART NUMBER

THIS DRAWING IS A CONTROLLED DOCUMENT.		DWN M. SHIRK 11 JUN 2020	TE Connectivity NAME: RECEPTACLE ASSEMBLY, STYLE 1, CDFP PCIe GEN 5		
DIMENSIONS: mm		CHK J. WESTMAN 11 JUN 2020			
TOLERANCES UNLESS OTHERWISE SPECIFIED:		APVD J. WESTMAN 11 JUN 2020	PRODUCT SPEC 108-130052	SIZE A2	CAGE CODE -
0 PLC ±0.25 1 PLC ±0.25 2 PLC ±0.20 3 PLC ±0.15 4 PLC ±		APPLICATION SPEC 114-160099	DRAWING NO C-2373624	RESTRICTED TO -	SCALE 4:1
MATERIAL		WEIGHT -	CUSTOMER DRAWING	SHEET 1 OF 6	REV A3

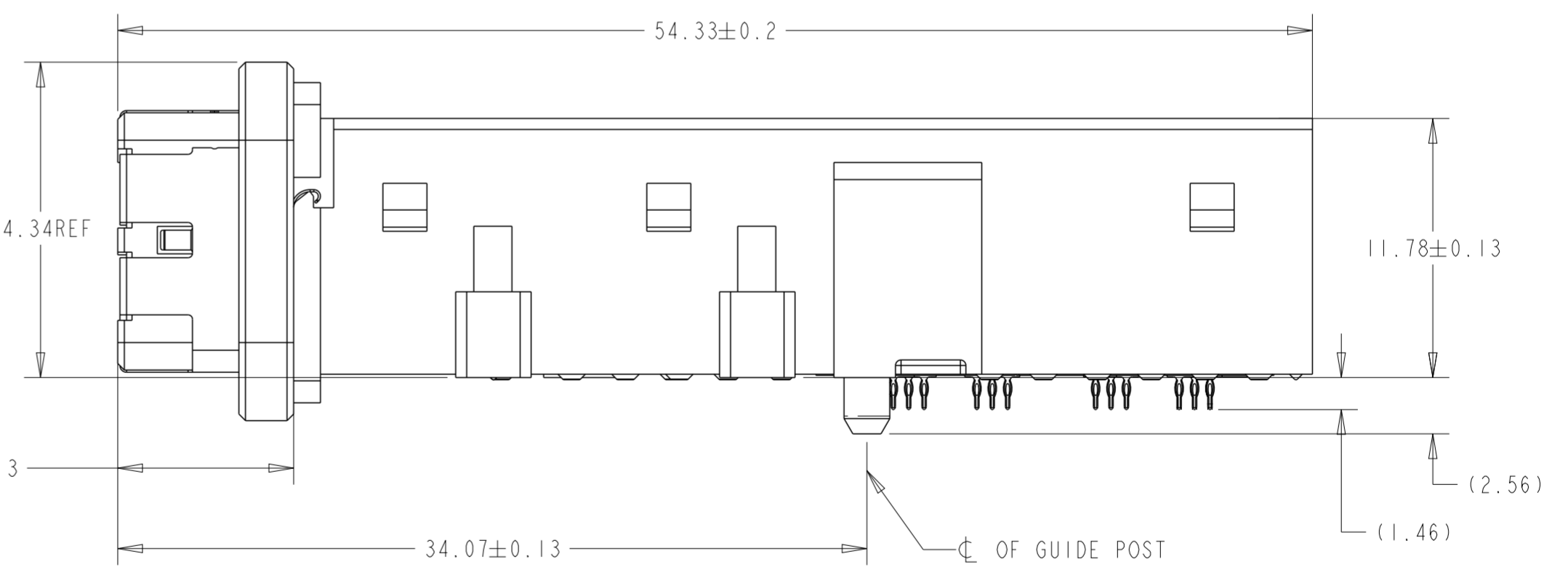
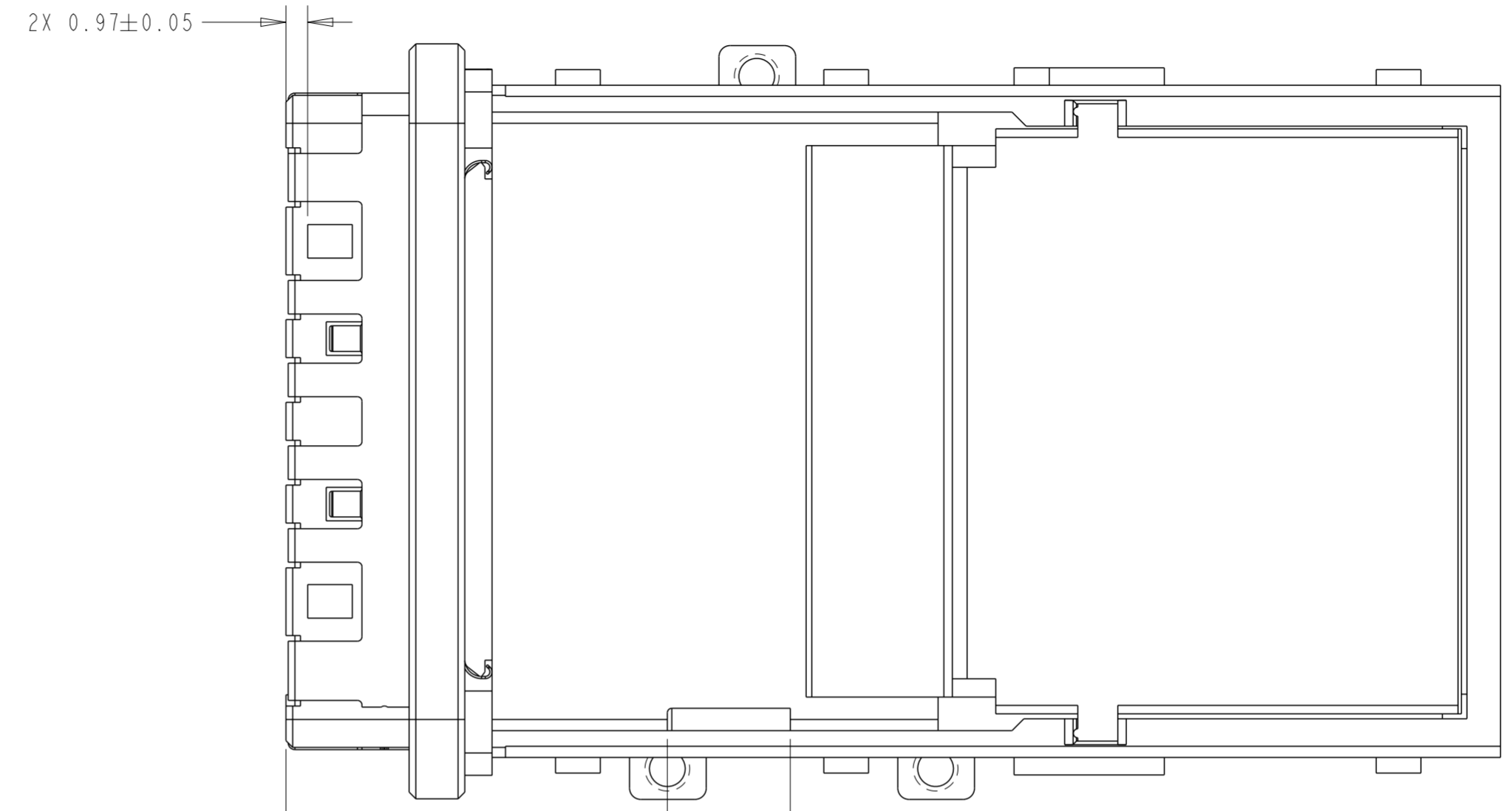
REVISIONS				
P	LTR	DESCRIPTION	DATE	APVD
-	-	SEE SHEET 1	-	-



2373624-4 AND 1-2373624-0 SHOWN
SCALE 3:1



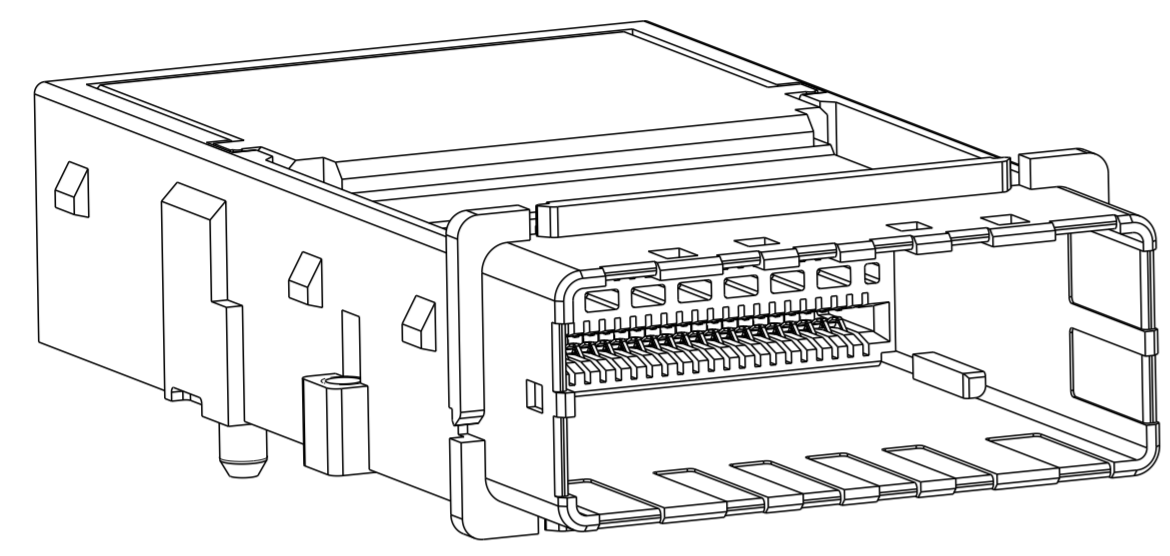
GASKET OMITTED FOR CLARITY



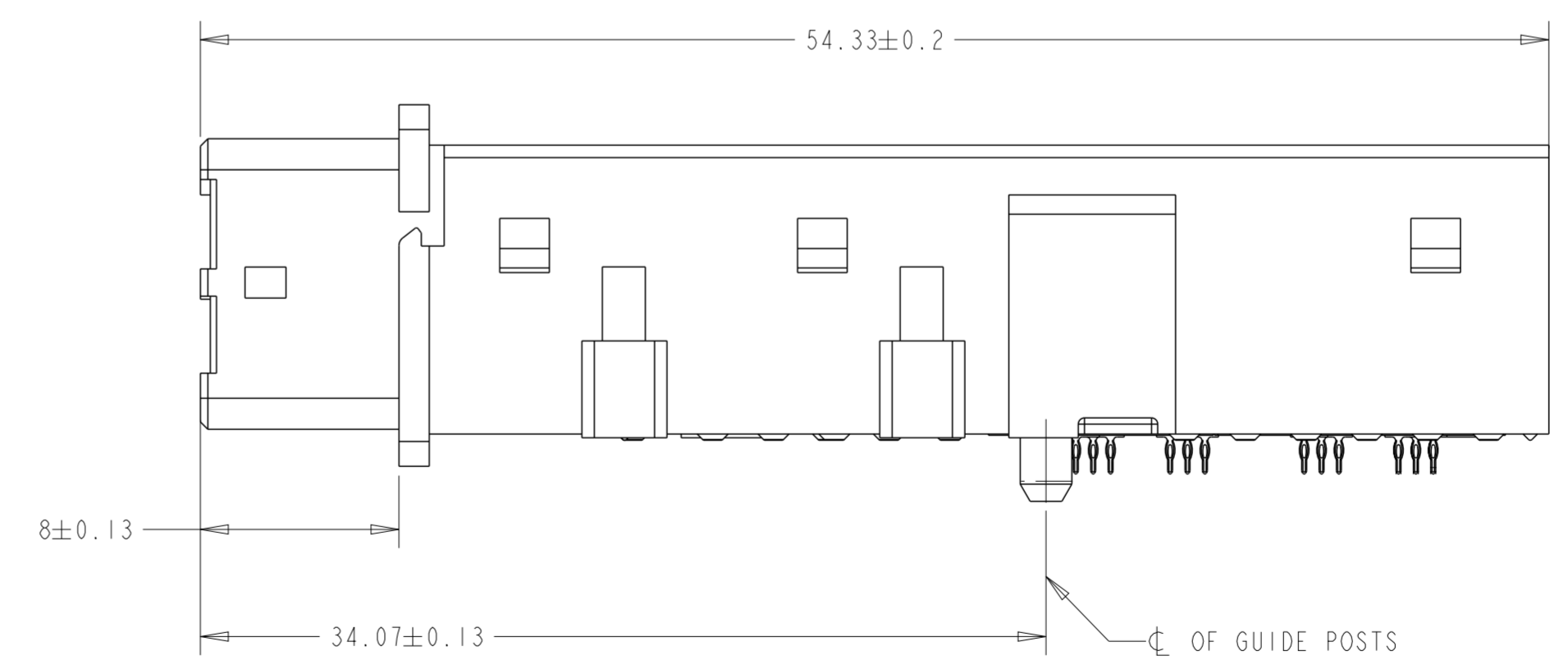
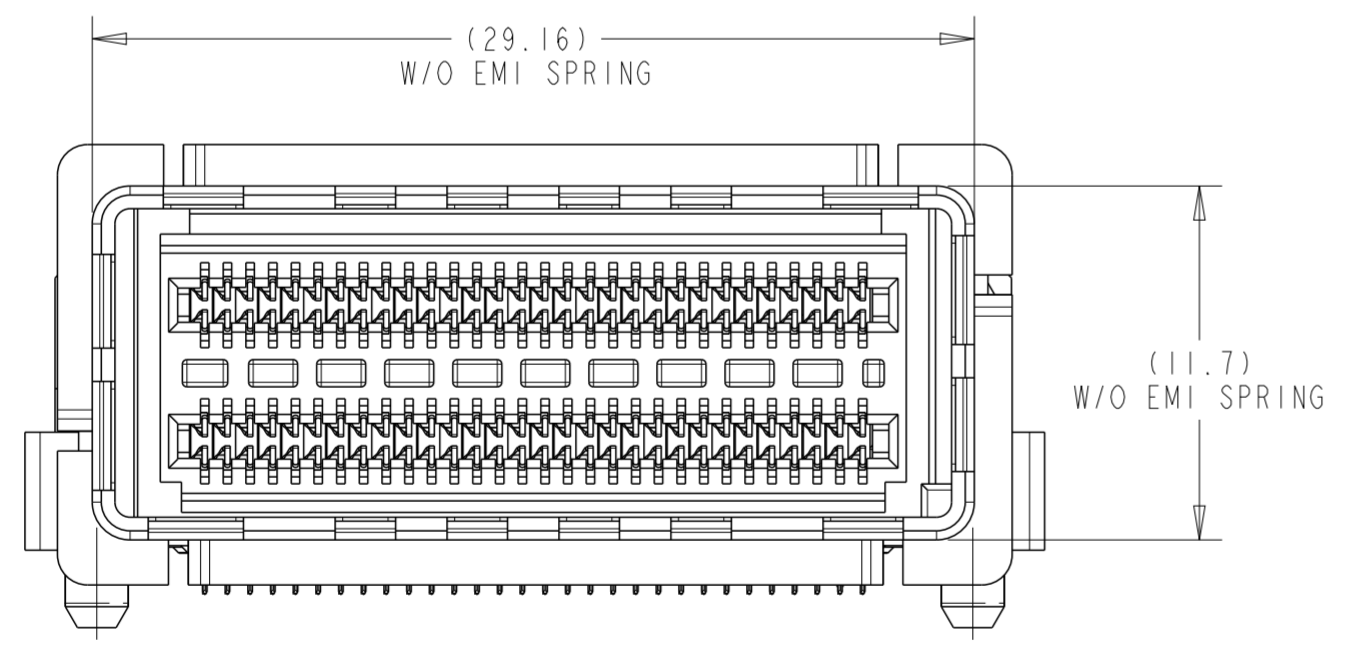
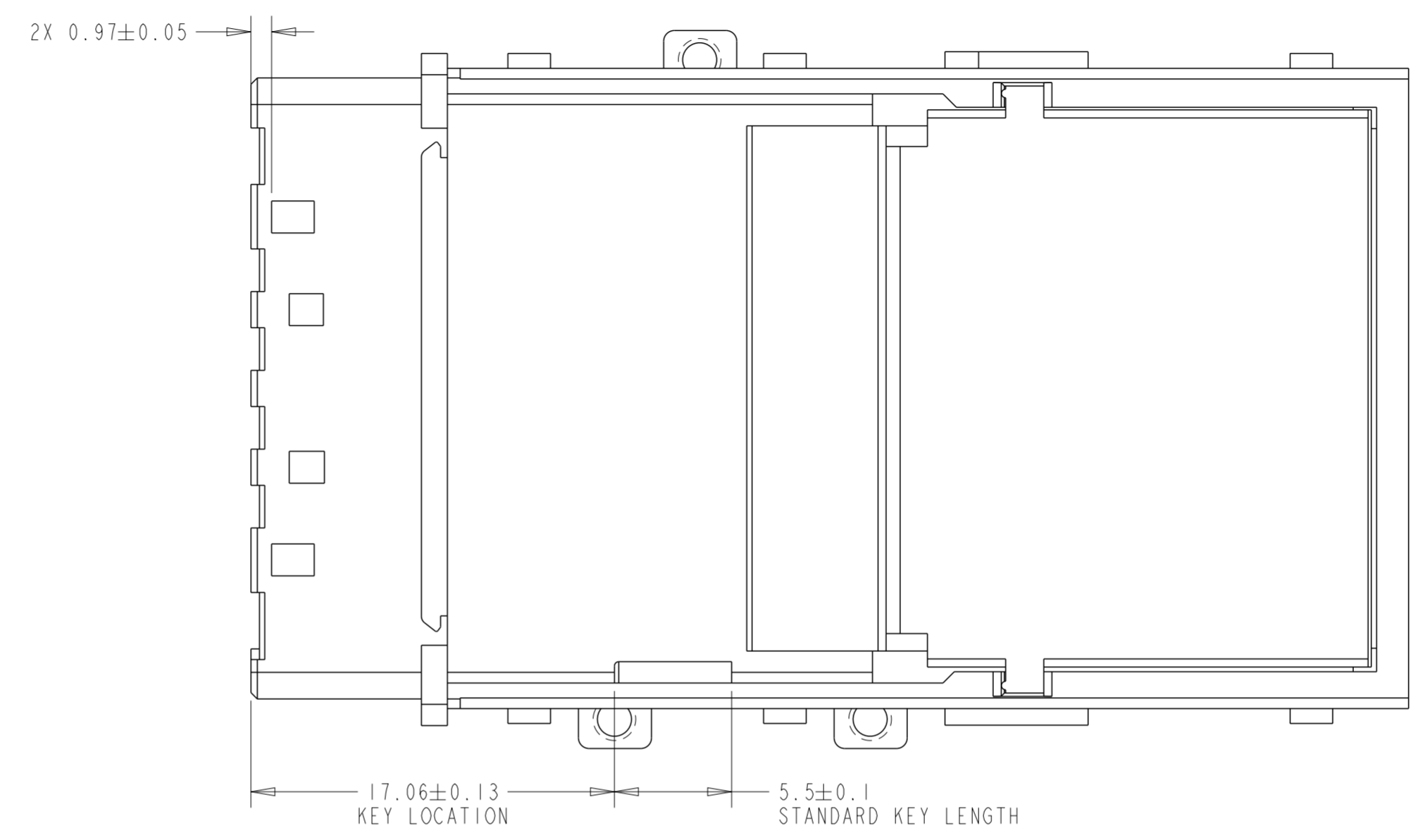
2373624-4 AND 1-2373624-0 AS SHOWN

THIS DRAWING IS A CONTROLLED DOCUMENT.		DWN M. SHIRK 11 JUN 2020	TE Connectivity	
DIMENSIONS: mm		CHK J. WESTMAN 11 JUN 2020		
TOLERANCES UNLESS OTHERWISE SPECIFIED:		APVD J. WESTMAN 11 JUN 2020	NAME RECEPTACLE ASSEMBLY, STYLE 1, CDFP PCIe GEN 5	
0 PLC ±0.25	1 PLC ±0.25	PRODUCT SPEC 108-130052	SIZE A2	CAGE CODE -
2 PLC ±0.20	3 PLC ±0.15	APPLICATION SPEC 114-160099	DRAWING NO C-2373624	RESTRICTED TO -
4 PLC ±	ANGLES ±	WEIGHT -	SCALE 4:1	SHEET 2 OF 6
MATERIAL -	FINISH -	CUSTOMER DRAWING	REV A3	

REVISIONS				
P	LTR	DESCRIPTION	DATE	APVD
-	-	SEE SHEET 1	-	-



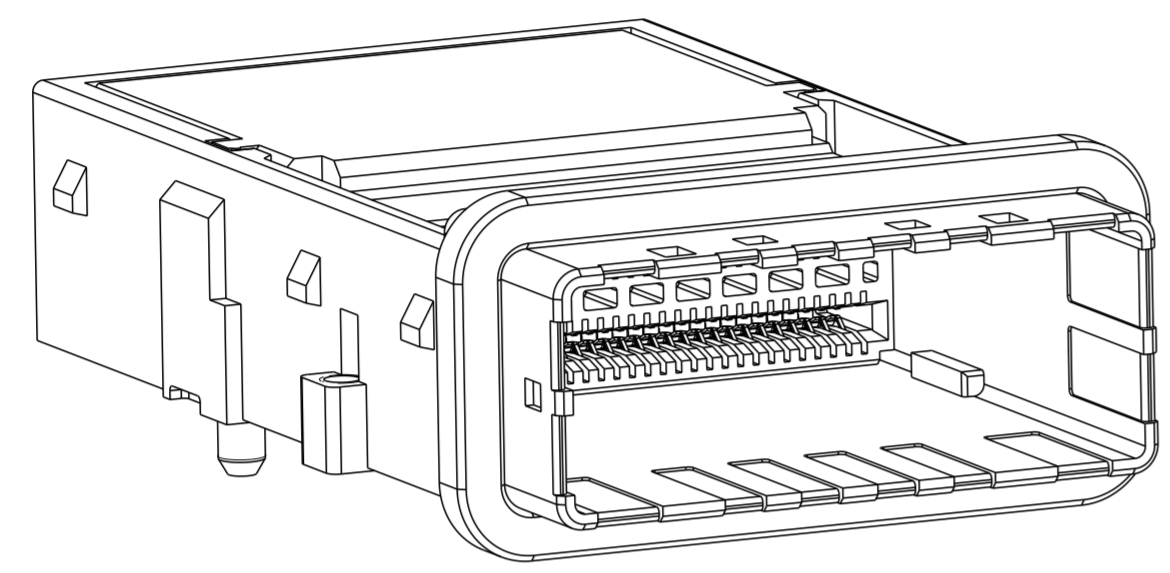
2373624-5 AND 1-2373624-1 AS SHOWN
 UNSPECIFIED DIMENSIONS ARE SAME AS 2373624-4
 SCALE 3:1



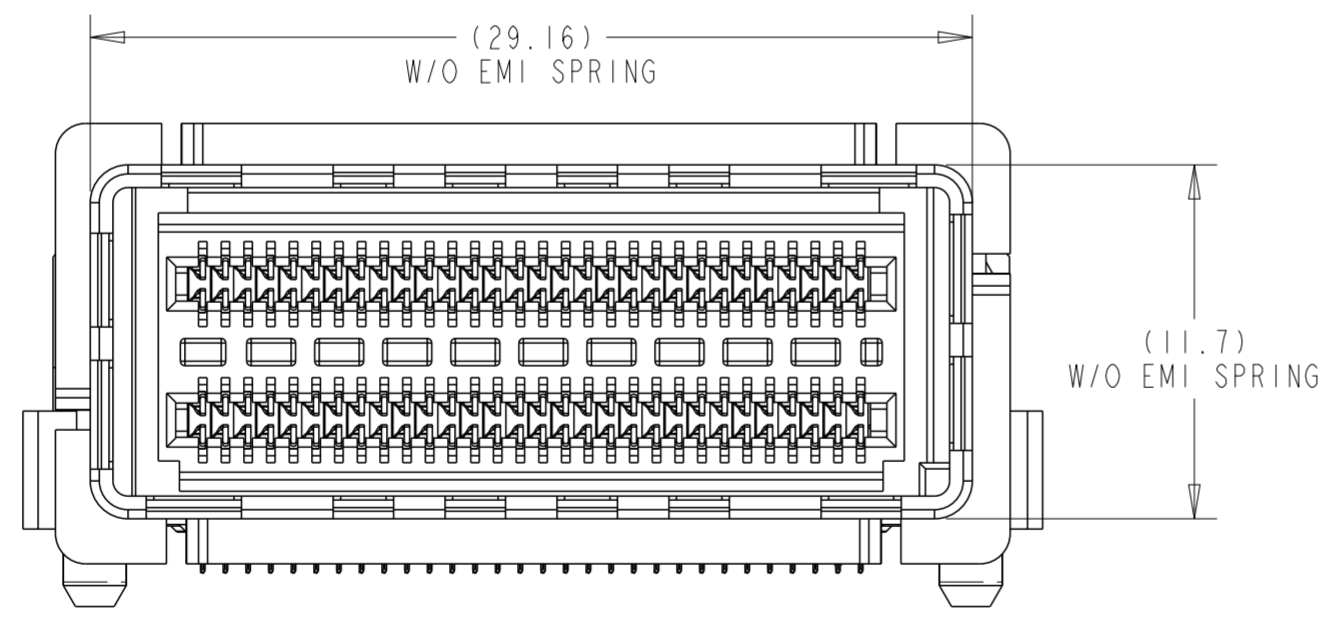
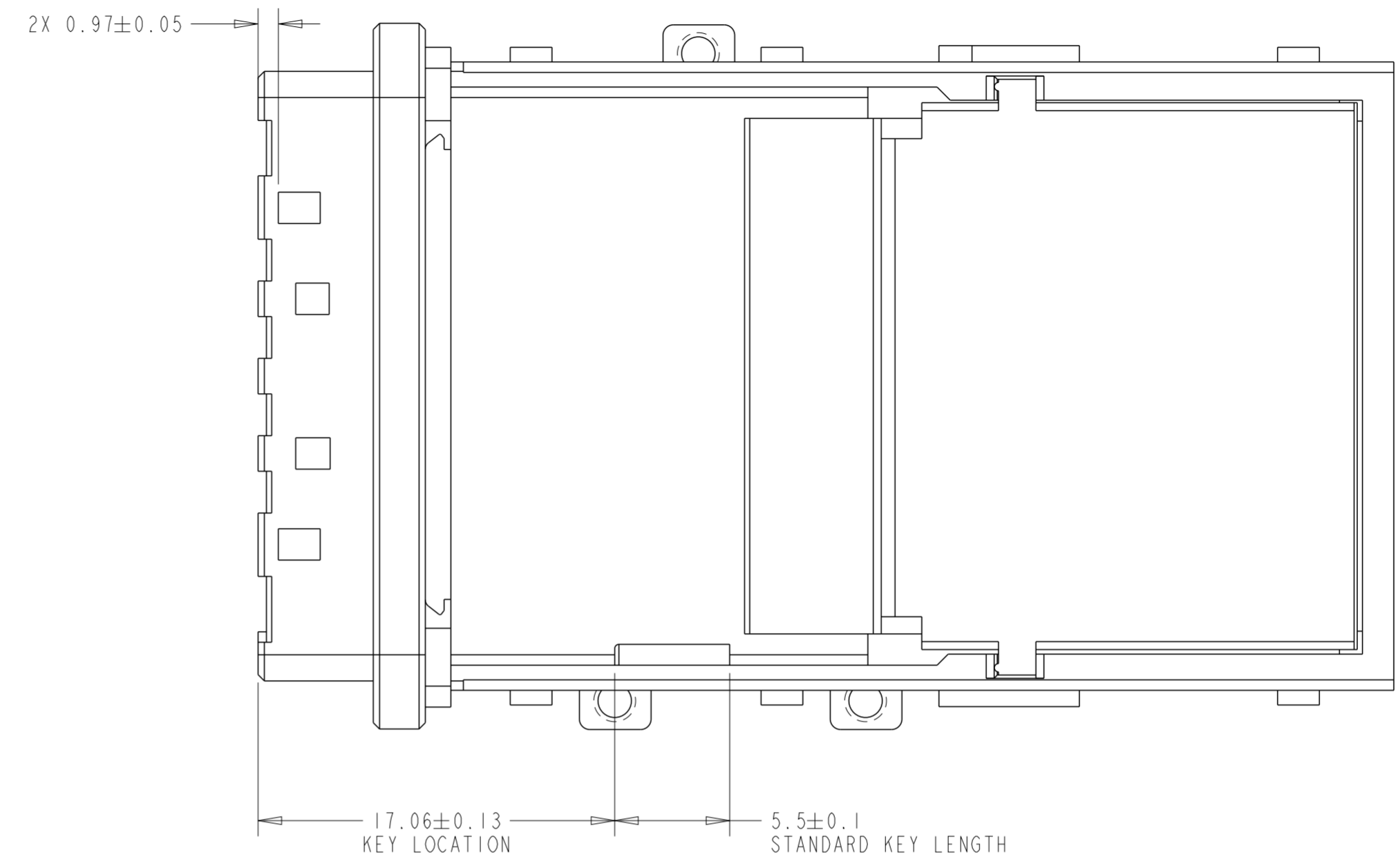
2373624-5 AND 1-2373624-1 AS SHOWN

THIS DRAWING IS A CONTROLLED DOCUMENT.		DWN M. SHIRK 11 JUN 2020		
		CHK J. WESTMAN 11 JUN 2020		
DIMENSIONS:		APVD J. WESTMAN 11 JUN 2020	NAME RECEPTACLE ASSEMBLY, STYLE 1, CDFP PCIe GEN 5	
mm	TOLERANCES UNLESS OTHERWISE SPECIFIED:	PRODUCT SPEC 108-130052	SIZE A2	
	0 PLC ±0.25	APPLICATION SPEC 114-160099	CAGE CODE -	DRAWING NO C-2373624
	1 PLC ±0.25	WEIGHT -	RESTRICTED TO -	
	2 PLC ±0.20	CUSTOMER DRAWING	SCALE 1:1	SHEET 3 OF 6
	3 PLC ±0.15			REV A3
	4 PLC ±			
	ANGLES ±			
	FINISH -			

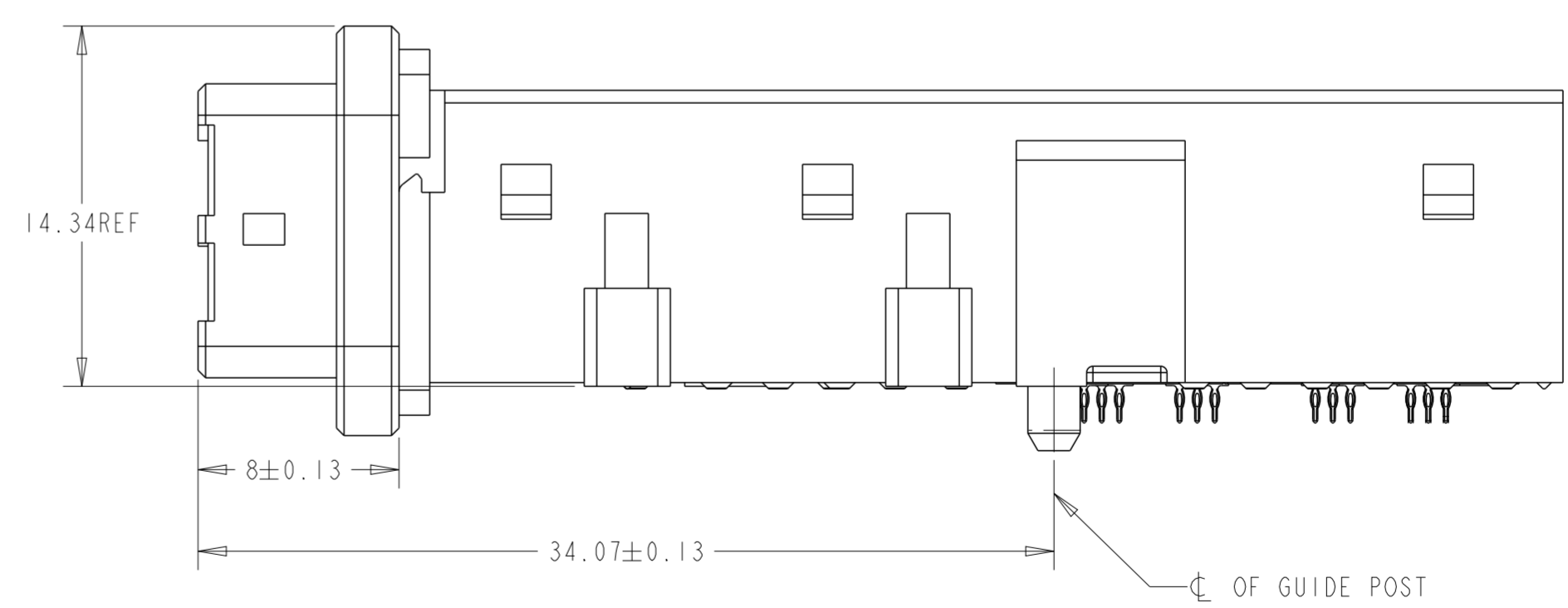
REVISIONS				
P	LTR	DESCRIPTION	DATE	APVD
-	-	SEE SHEET 1	-	-



2373624-6 AND 1-2373624-2 AS SHOWN
UNSPECIFIED DIMENSIONS ARE SAME AS 2373624-4
SCALE 3:1



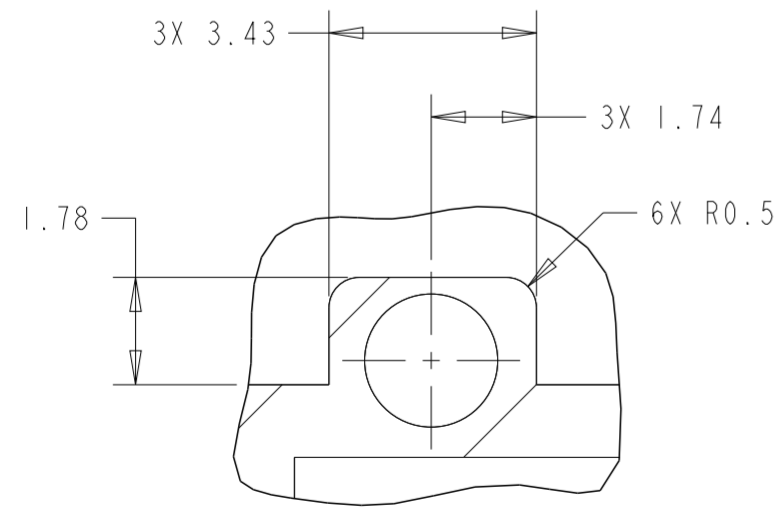
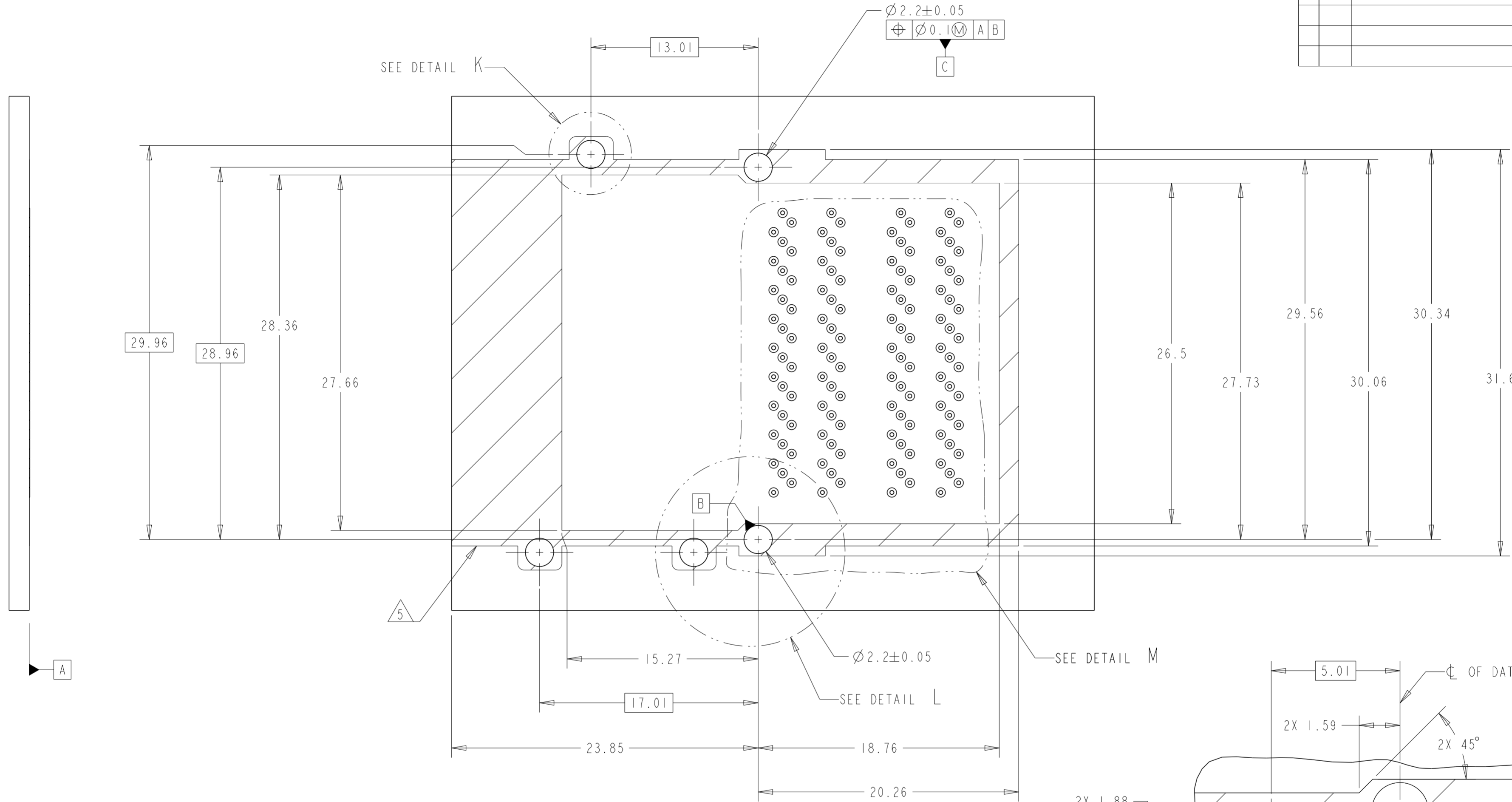
GASKET OMITTED FOR CLARITY



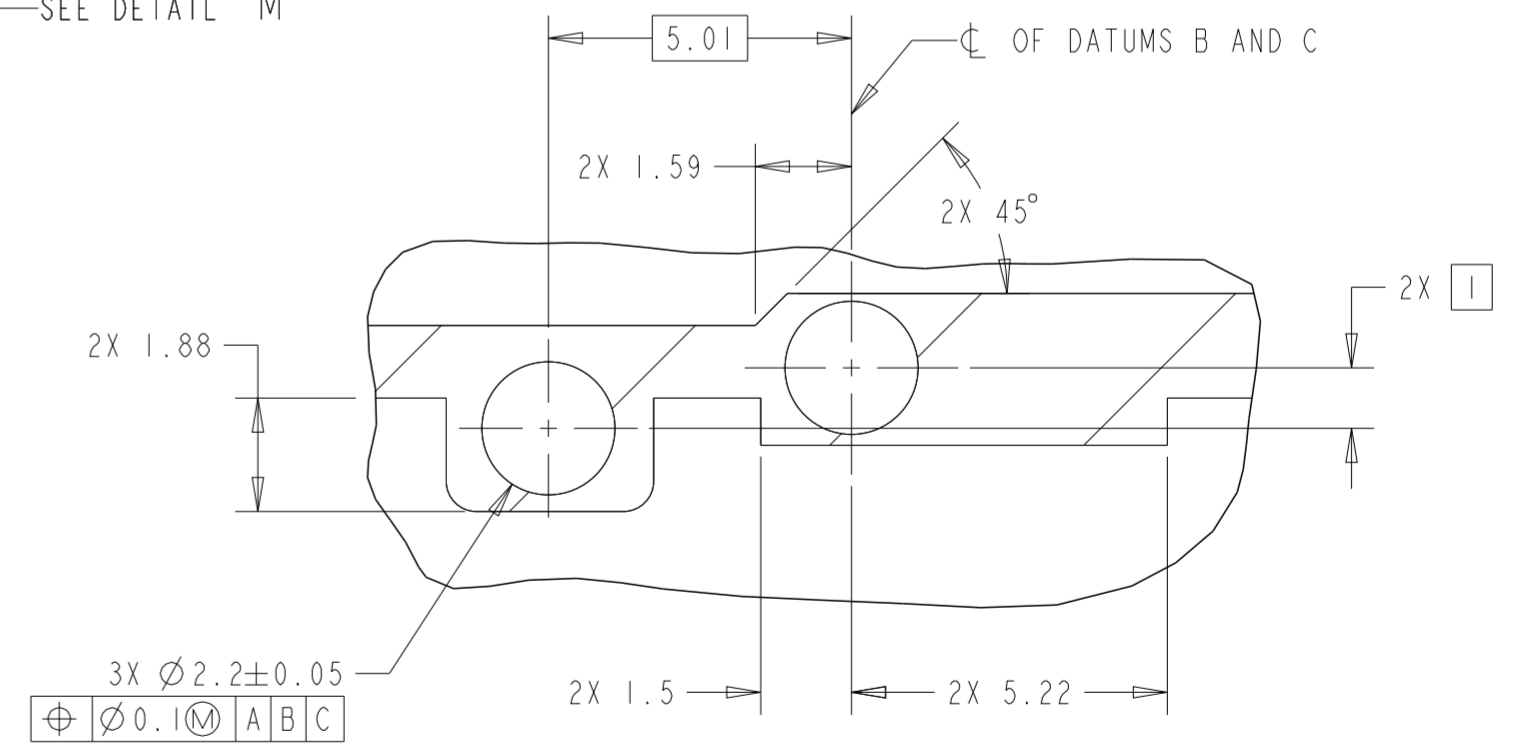
2373624-6 AND 1-2373624-2 AS SHOWN

THIS DRAWING IS A CONTROLLED DOCUMENT.		DWN M. SHIRK 11 JUN 2020	TE Connectivity
DIMENSIONS: mm		CHK J. WESTMAN 11 JUN 2020	
TOLERANCES UNLESS OTHERWISE SPECIFIED:		APVD J. WESTMAN 11 JUN 2020	NAME RECEPTACLE ASSEMBLY, STYLE 1, CDFP PCIe GEN 5
0 PLC ±0.25	1 PLC ±0.25	PRODUCT SPEC 108-130052	SIZE A2
2 PLC ±0.20	3 PLC ±0.15	APPLICATION SPEC 114-160099	CAGE CODE -
4 PLC ±	ANGLES ±	WEIGHT -	DRAWING NO C-2373624
MATERIAL -	FINISH -	CUSTOMER DRAWING	RESTRICTED TO -
		SCALE 4:1	SHEET 4 OF 6
		REV A3	

P	LTR	DESCRIPTION	DATE	DWN	APVD
-		SEE SHEET 1	-	-	-



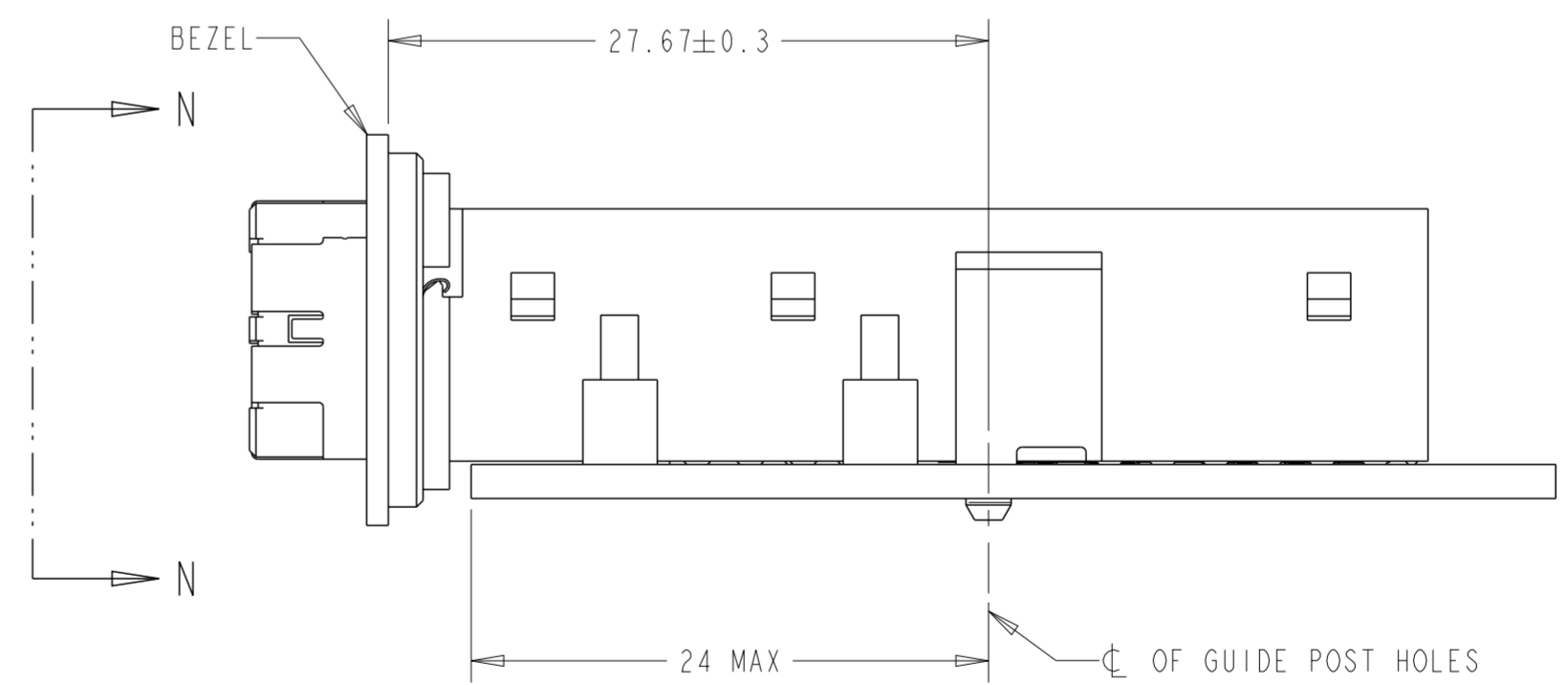
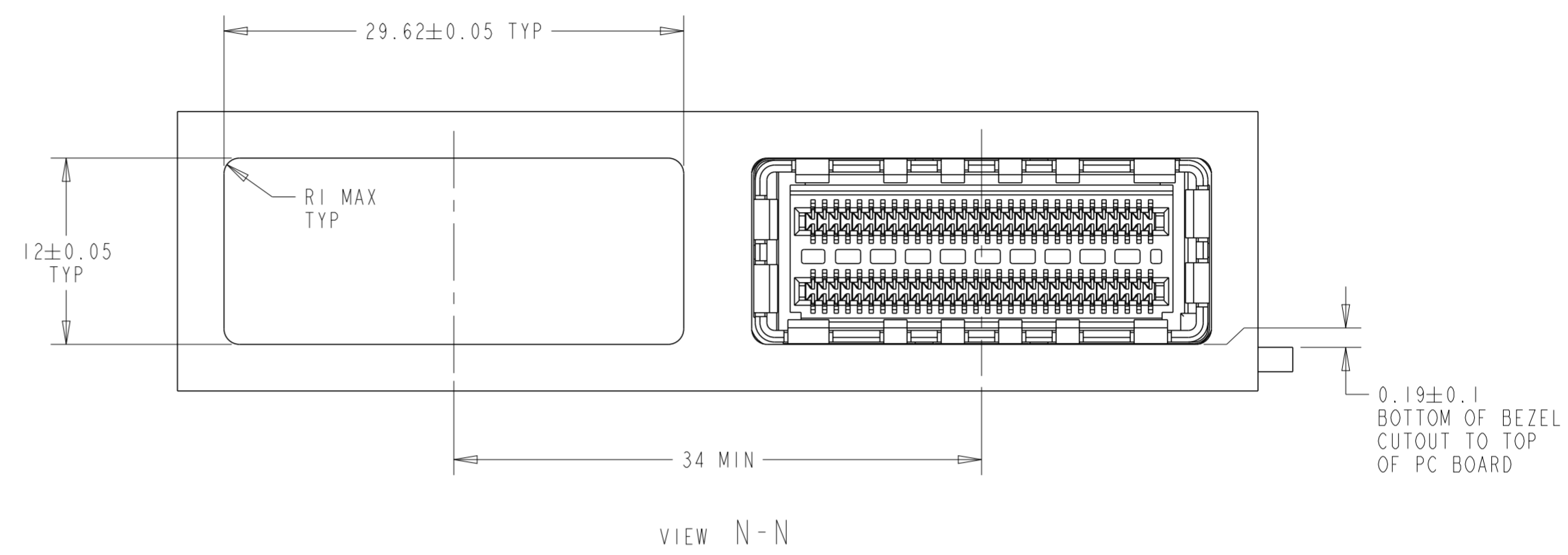
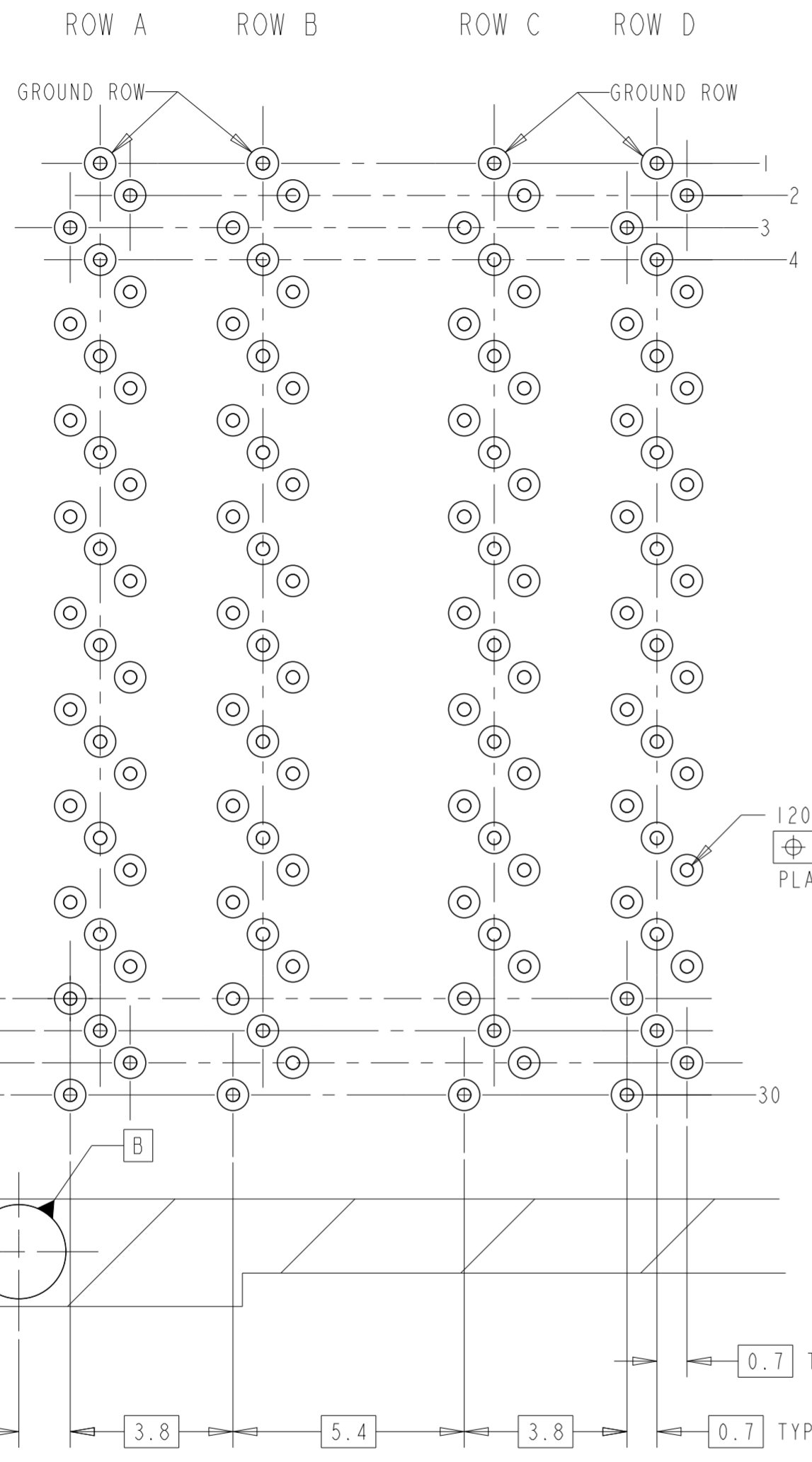
DETAIL K
SCALE 8:1



DETAIL L
SCALE 8:1

THIS DRAWING IS A CONTROLLED DOCUMENT.		DWN M. SHIRK 11 JUN 2020	TE Connectivity															
		CHK J. WESTMAN 11 JUN 2020																
		APVD J. WESTMAN 11 JUN 2020	NAME RECEPTACLE ASSEMBLY, STYLE 1, CDFP PCIe GEN 5															
DIMENSIONS: mm		PRODUCT SPEC 108-130052	SIZE A2	CAGE CODE -														
TOLERANCES UNLESS OTHERWISE SPECIFIED:		APPLICATION SPEC 114-160099	DRAWING NO C-2373624	RESTRICTED TO -														
<table border="0"> <tr> <td>0 PLC</td> <td>±0.25</td> </tr> <tr> <td>1 PLC</td> <td>±0.25</td> </tr> <tr> <td>2 PLC</td> <td>±0.20</td> </tr> <tr> <td>3 PLC</td> <td>±0.15</td> </tr> <tr> <td>4 PLC</td> <td>±</td> </tr> <tr> <td>ANGLES</td> <td>±</td> </tr> <tr> <td>FINISH</td> <td>-</td> </tr> </table>		0 PLC	±0.25	1 PLC	±0.25	2 PLC	±0.20	3 PLC	±0.15	4 PLC	±	ANGLES	±	FINISH	-	WEIGHT -	SCALE 1:1	SHEET 5 OF 6
0 PLC	±0.25																	
1 PLC	±0.25																	
2 PLC	±0.20																	
3 PLC	±0.15																	
4 PLC	±																	
ANGLES	±																	
FINISH	-																	
MATERIAL -		CUSTOMER DRAWING	REV A3															

P	LTR	DESCRIPTION	DATE	DWN	APVD
-	-	SEE SHEET 1	-	-	-



DETAIL M
SCALE 8:1

THIS DRAWING IS A CONTROLLED DOCUMENT.		DWN M. SHIRK 11 JUN 2020	TE Connectivity	
DIMENSIONS: mm		CHK J. WESTMAN 11 JUN 2020		
TOLERANCES UNLESS OTHERWISE SPECIFIED:		APVD J. WESTMAN 11 JUN 2020	NAME RECEPTACLE ASSEMBLY, STYLE 1, CDFP PCIe GEN 5	
0 PLC ±0.25	1 PLC ±0.25	PRODUCT SPEC 108-130052	SIZE A2	CAGE CODE -
2 PLC ±0.20	3 PLC ±0.15	APPLICATION SPEC 114-160099	DRAWING NO C-2373624	RESTRICTED TO -
4 PLC ±	ANGLES ±	WEIGHT -	SCALE 1:1	SHEET 6 OF 6
MATERIAL -	FINISH -	CUSTOMER DRAWING	REV A3	