

# D6 Series SPST Momentary Key Switches

## Features/Benefits

- Easy X, Y coding on single side PCB
- Positive/ smooth tactile feedback
- High temperature
- Wide variety of colors & styles
- Illuminated versions available
- RoHS compliant and compatible

## Typical Applications

- Video
- Electronic games
- Appliances



## Construction

FUNCTION: momentary  
 CONTACT ARRANGEMENT: 1 make contact (SPST), NO  
 DISTANCE BETWEEN BUTTON CENTERS, MIN.: 12,7 (0.500)  
 TERMINALS: PC pins

## Electrical

	Non-Illuminated	Illuminated
SWITCHING POWER MAX.:	3 VA	0.35 VA
SWITCHING VOLTAGE MAX.:	32 V DC	35 V DC
SWITCHING CURRENT MAX.:	100 mA DC	10 mA DC
OPERATING LIFE with max. switching power:	Version F1: 250 000 operations Version F2: 100 000 operations	Version F1: 100 000 operations Version F2: 30 000 operations
CONTACT RESISTANCE:	≤100 mΩ	≤200 mΩ
DIELECTRIC STRENGTH (50 Hz / 1 min):	250 V	
INSULATION RESISTANCE:	≥10 <sup>9</sup> Ω	
BOUNCE TIME:	≤10 ms	

## Mechanical

	Non-Illuminated	Illuminated
SWITCHING TRAVEL:	Version F1: 0.2 mm ≤ Te ≤ 1.0 mm Version F2: 0.3 mm ≤ Te ≤ 1.1 mm	0.4 mm ≤ Te ≤ 0.8 mm
OPERATING FORCE:	Version F1: 0.8N ≤ Fa ≤ 1.8N Version F2: 2.0N ≤ Fa ≤ 3.5N	Version F1: 0.8N ≤ Fa ≤ 1.8N Version F2: 1.5N ≤ Fa ≤ 2.5N
SEALING:	IP40	

## Environmental

	Non-Illuminated	Illuminated
OPERATING TEMPERATURE:	-20°C to 85°C	-20°C to 60°C

## Process

### SOLDERABILITY:

Wave soldering, compatible with lead free soldering profile  
 Hand soldering, 350°C for 3 seconds

## Packaging

The D6 switches are delivered in boxes containing 10 trays with 250 pieces each:  
 Total 2,500 pieces per box.  
 The D6 buttons are delivered in bulk with 2500 pieces per box.

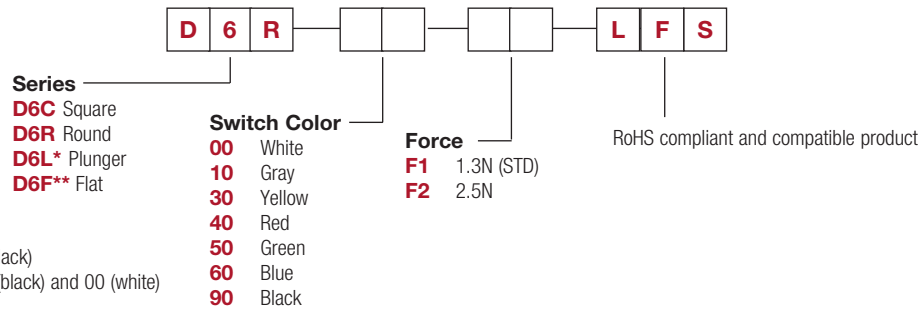
# D6 Series SPST Momentary Key Switches

## How To Order

Our easy build-a-switch concept allows you to mix and match options to create the switch you need. To order, select desired option from each category and place it in the appropriate box.

### NON-ILLUMINATED

#### Switch



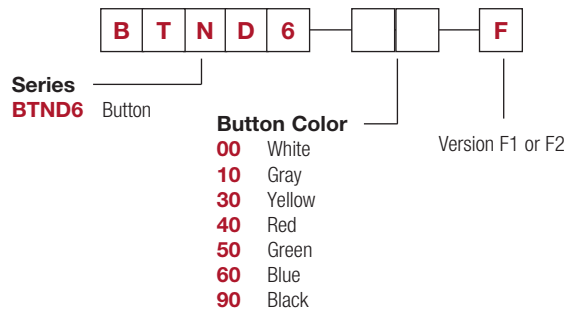
\*Available only in color 90 (black)

\*\* Available only in color 90 (black) and 00 (white)

#### Button

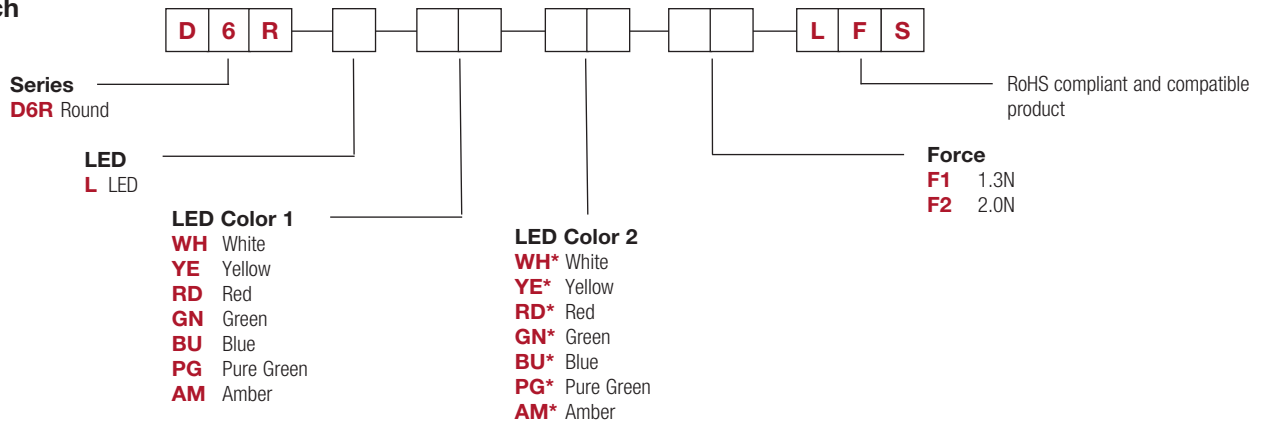
Buttons can be ordered separately  
 Shipped in bulk

D6 button for use with D6C only



### ILLUMINATED

#### Switch

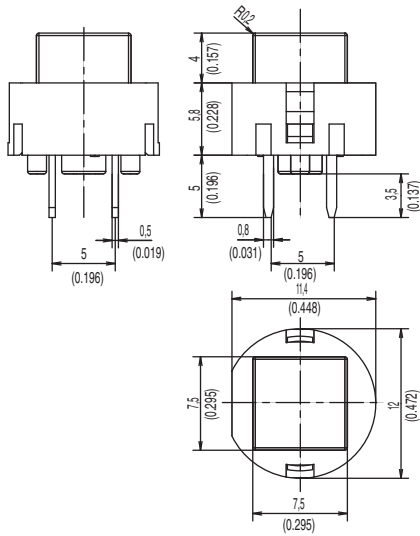


\* Please contact technical support for these configurations

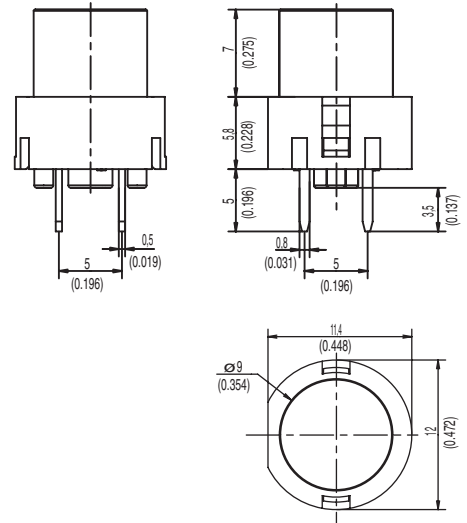
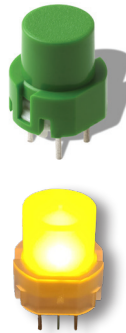
# D6 Series SPST Momentary Key Switches

## SERIES

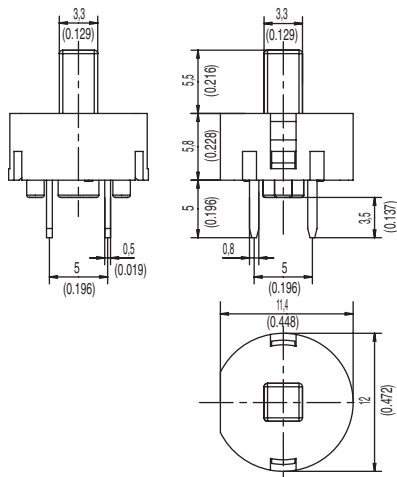
**D6C**



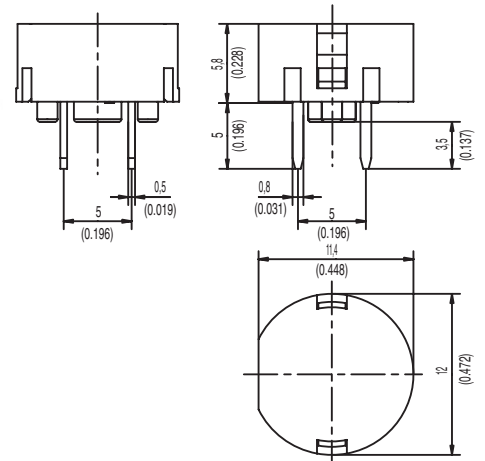
**D6R**



**D6L ONLY AVAILABLE IN BLACK**



**D6F**

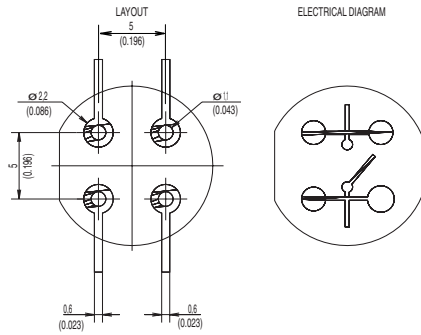


Key Switches

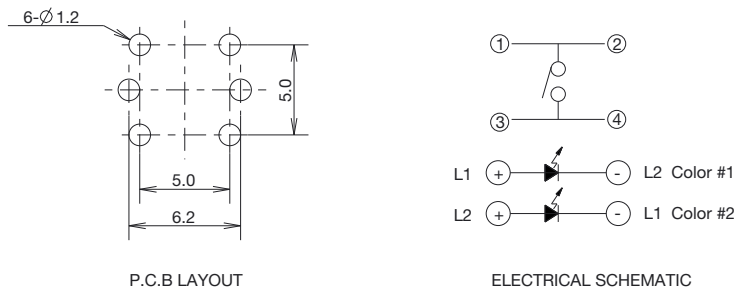
# D6 Series SPST Momentary Key Switches

## PCB LAYOUT

### Switch (Non-Illuminated)



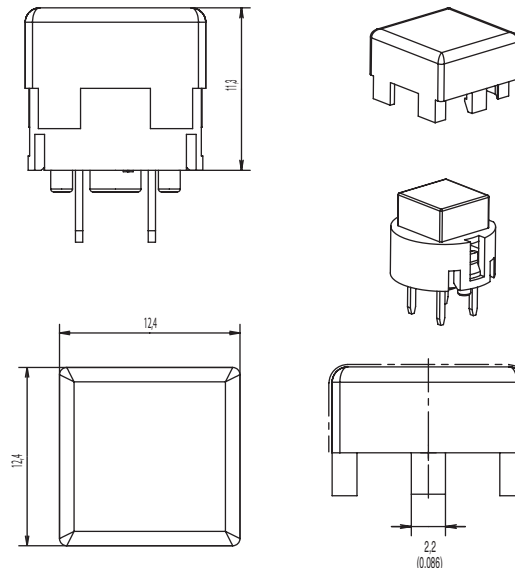
### Switch (Illuminated)



## BUTTON AVAILABLE

**BTND6** Buttons must be ordered separately. Shipped in bulk.

**NOTE:** Only compatible with D6C



OPTION CODE	BUTTON COLOR
00	WHITE
10	GRAY
30	YELLOW
40	RED
50	GREEN
60	BLUE
90	BLACK



Dimensions are shown: mm  
Specifications and dimensions subject to change

# Mouser Electronics

Authorized Distributor

Click to View Pricing, Inventory, Delivery & Lifecycle Information:

## C&K Switches:

[D6C60F2LFS](#) [D6C10F1LFS](#) [D6C60F1LFS](#) [D6R50F1LFS](#) [D6C50F2LFS](#) [D6R30F2LFS](#) [D6R60F2LFS](#)  
[D6R30F1LFS](#) [D6C30F1LFS](#) [D6R10F2LFS](#) [D6R00F2LFS](#) [D6C50F1LFS](#) [D6R40F2LFS](#) [D6C90F1LFS](#) [D6C10F2LFS](#)  
[D6C00F2LFS](#) [D6C40F1LFS](#) [D6C30F2LFS](#) [D6F90F1LFS](#) [D6R00F1LFS](#) [D6R60F1LFS](#) [D6R50F2LFS](#)  
[D6F00F2LFS](#) [D6F00F1LFS](#) [D6R90F2LFS](#) [D6L90F2LFS](#) [D6C40F2LFS](#) [D6F90F2LFS](#) [D6C00F1LFS](#) [D6RLBUF1](#)  
[LFS](#) [D6RLGNF1 LFS](#) [D6RLRDF1 LFS](#) [D6RLWHF1 LFS](#)