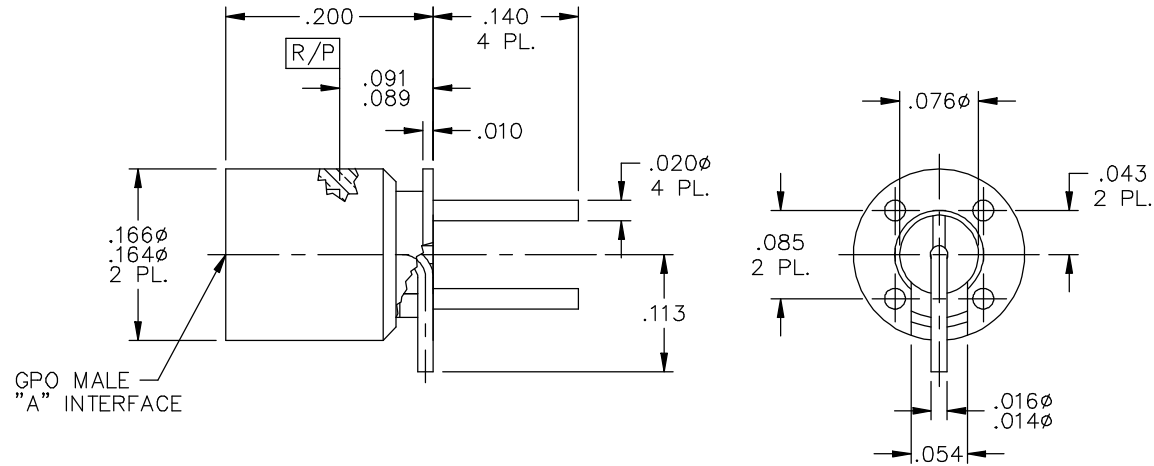
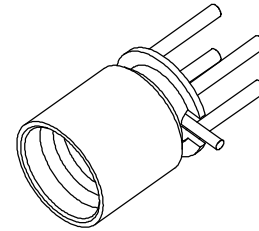


CATALOG NUMBER	"A" INTERFACE
A012-P93-04	FULL DETENT
A012-P94-04	LIMITED DETENT
A012-P95-04	SMOOTH BORE

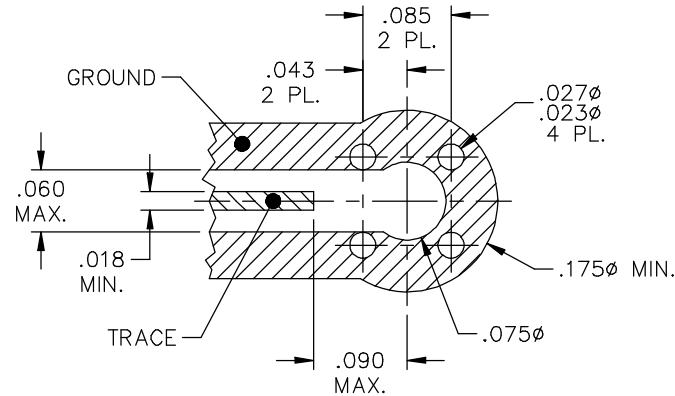
MATERIAL AND FINISH

CENTER CONTACT AND HOUSING: BeCu; GOLD PLATE 50-100 MICROINCHES  
 OVER NICKEL PLATE 50 MICROINCHES MIN.  
 DIELECTRIC STOP: POLYAMIDE-IMIDE



GPO MALE  
 "A" INTERFACE

RECOMMENDED  
 MOUNTING FOOTPRINT



This drawing and any data contained herein is the property of Corning Gilbert Inc., and constitutes and contains proprietary and confidential information. Neither receipt nor possession of this drawing confers or transfers any right to duplicate, use or disclose any information contained herein except as expressly authorized by Corning Gilbert Inc.

GPO MALE P.C.B. MOUNT (TAB DETENT)	IDENT CODE: 82316	<b>Corning Gilbert Inc.</b>
	REVISION: C	

SOURCE FILE: SK-1967	DWG. NO.: OL-A012-P9X-04	ASSY. PROC.: -
----------------------	--------------------------	----------------