

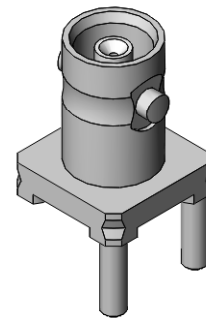
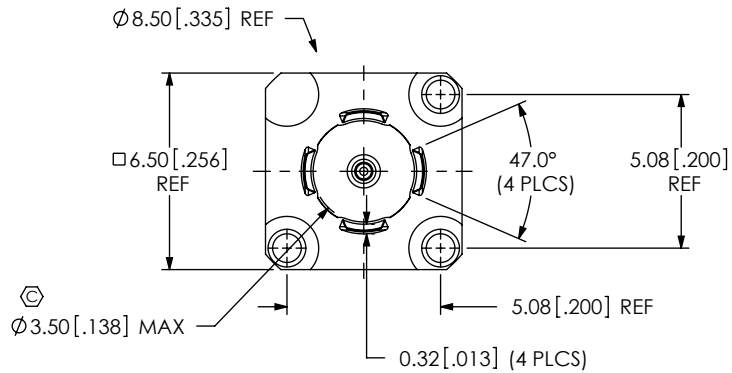
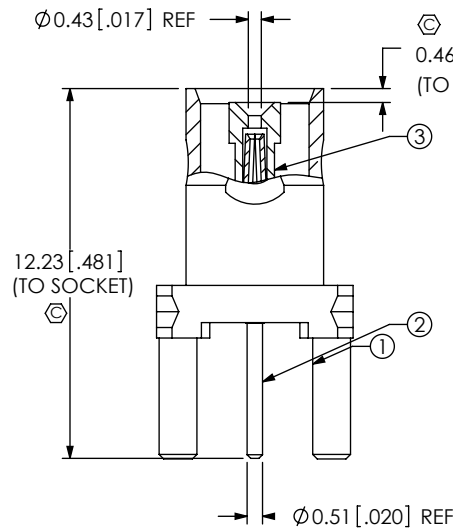
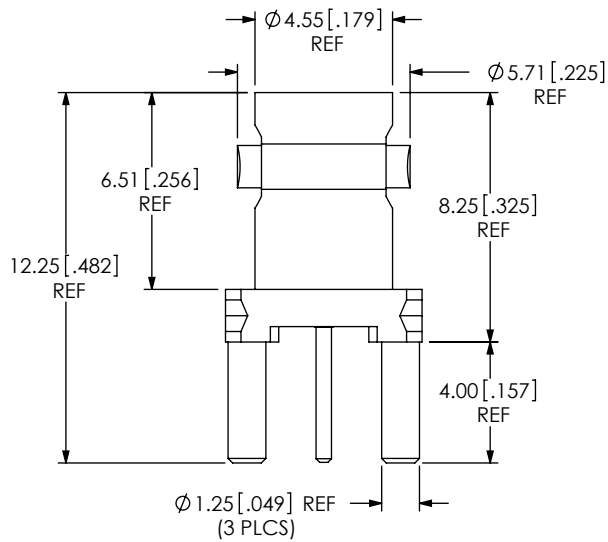
DO NOT SCALE FROM THIS PRINT

DESIGNED & DIMENSIONED IN MILLIMETERS [INCHES]

HDBNC-J-P-XX-ST-TH1

GENDER -J: JACK
 TYPE -P: PCB
 TERMINATION -TH1: THROUGH HOLE
 ORIENTATION -ST: STRAIGHT

PLATING SPECIFICATION
 -HF: 30µ" GOLD CENTER CONTACT, 3µ" GOLD OUTER CONTACT
 -HN: 30µ" GOLD CENTER CONTACT, 100µ" NICKEL OUTER CONTACT
 -GF: 10µ" GOLD CENTER CONTACT, 3µ" GOLD OUTER CONTACT
 -GN: 10µ" GOLD CENTER CONTACT, 100µ" NICKEL OUTER CONTACT (SEE TABLE 1)



RECOMMENDED PCB LAYOUT

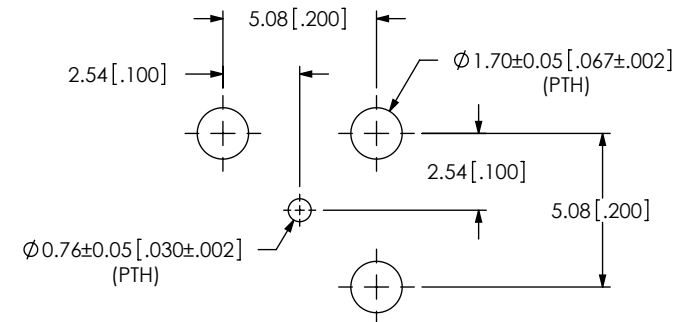


TABLE 1

ITEM	COMPONENT	-HF	-HN	-GF	-GN
1	SHELL	HDBNC-J-P-F-ST-TH1-SHL	HDBNC-J-P-N-ST-TH1-SHL	HDBNC-J-P-F-ST-TH1-SHL	HDBNC-J-P-N-ST-TH1-SHL
2	SOCKET	HDBNC-J-P-H-ST-TH1-SKT	HDBNC-J-P-H-ST-TH1-SKT	HDBNC-J-P-G-ST-TH1-SKT	HDBNC-J-P-G-ST-TH1-SKT
3	INSULATOR	HDBNC-J-P-ST-TH1-INS			

NOTES:

1. (C) REPRESENTS A CRITICAL DIMENSION.
2. MAXIMUM INSULATOR RETENTION: 4.5 N [1 LB].
3. PRODUCT TO BE PACKAGED PER PACKING STANDARD CO-HD-WI-3040-M. TRAY: TY-SMA001-1 COVER: TY-SMA001-2
4. MAXIMUM CONTACT RETENTION: 9 N [2 LB].

UNLESS OTHERWISE SPECIFIED, DIMENSIONS ARE IN MILLIMETERS. TOLERANCES ARE:
 DECIMALS ANGLES
 X.X: ±0.3 [.01] 5°
 X.XX: ±0.13 [.005]
 X.XXX: ±0.051 [.0020]

PROPRIETARY NOTE

THIS DOCUMENT CONTAINS INFORMATION CONFIDENTIAL AND PROPRIETARY TO SAMTEC, INC. AND SHALL NOT BE REPRODUCED OR TRANSFERRED TO OTHER DOCUMENTS OR DISCLOSED TO OTHERS OR USED FOR ANY PURPOSE OTHER THAN THAT WHICH IT WAS OBTAINED WITHOUT THE EXPRESSED WRITTEN CONSENT OF SAMTEC, INC.



520 PARK EAST BLVD, NEW ALBANY, IN 47150
 PHONE: 812-944-6733 FAX: 812-948-5047
 e-Mail: info@SAMTEC.com code 55322

MATERIAL: DO NOT SCALE DRAWING SHEET SCALE: 4:1

SOCKET: BeCu
 SHELL: BRASS
 INSULATOR: PTFE

DESCRIPTION: HD BNC 75 OHM, ST JACK THROUGH HOLE

DWG. NO. HDBNC-J-P-XX-ST-TH1

BY: ALVIN W 11/24/2011 SHEET 1 OF 1