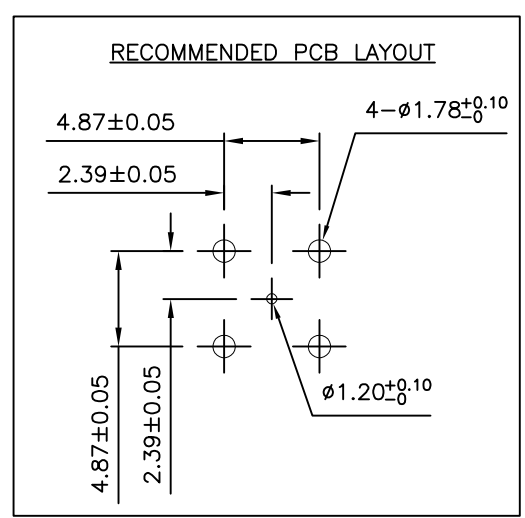
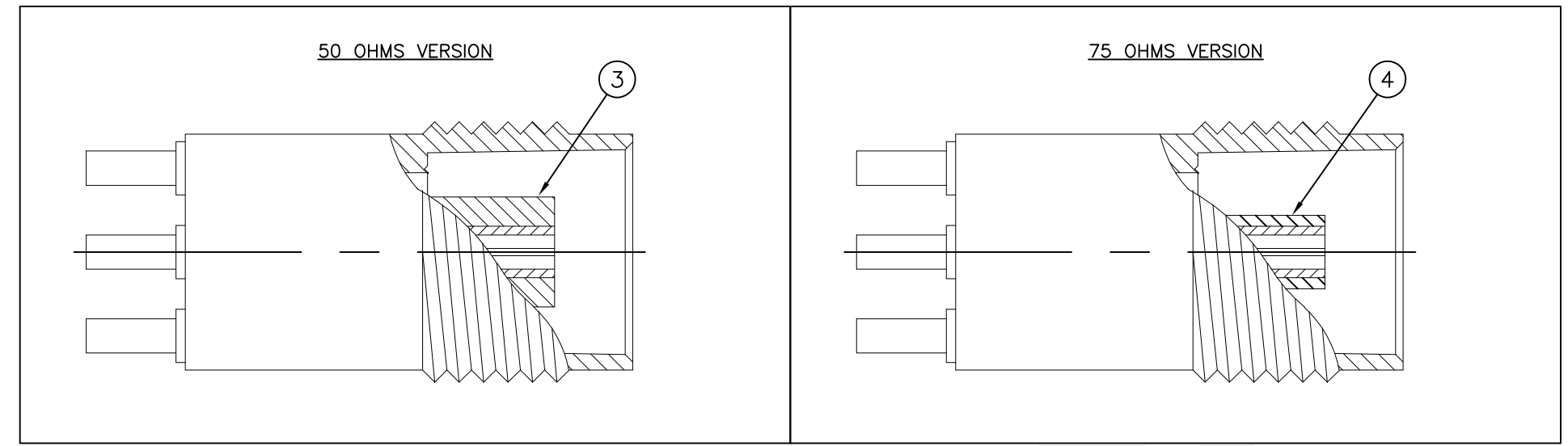
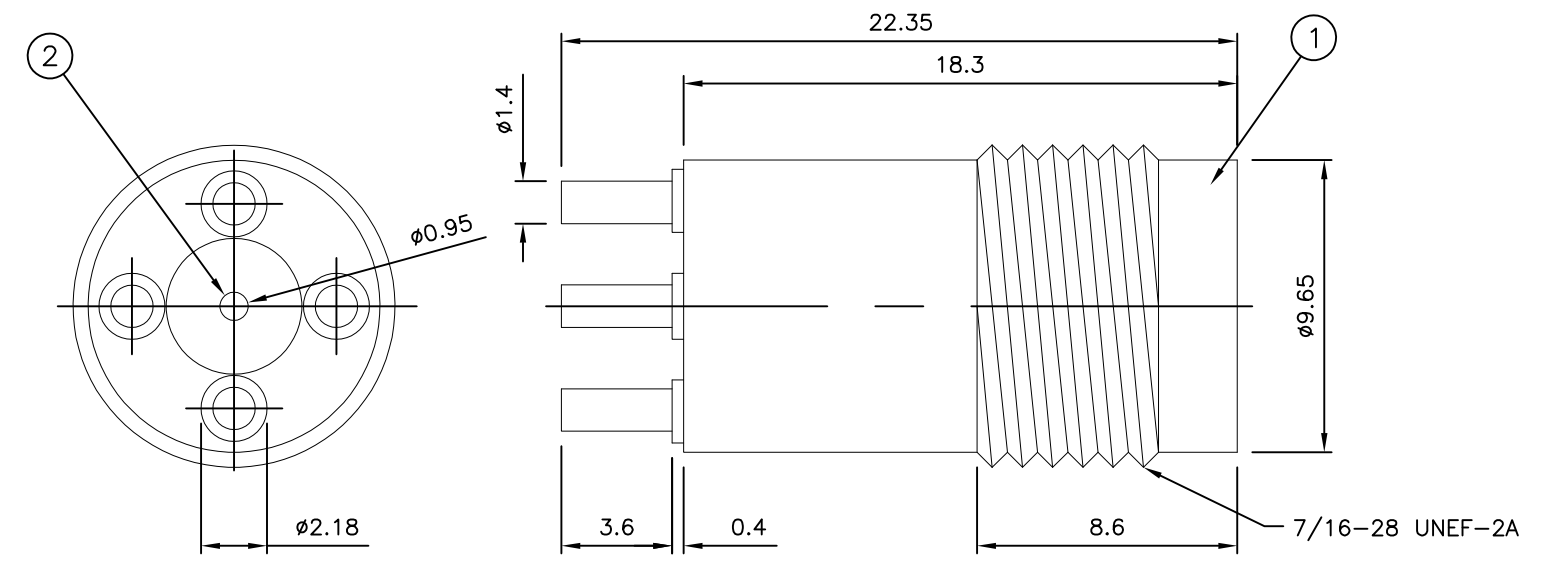


THIS DRAWING IS UNPUBLISHED. RELEASED FOR PUBLICATION NOV , 2006.  
 © COPYRIGHT 2006 By - ALL RIGHTS RESERVED.

LOC	DIST	REVISIONS			
P	LTR	DESCRIPTION	DATE	DWN	APVD
E	B	B1	REVISED PER ECO-11-005033	01APR11	RK HMR
		C	REVISED PER ECO-12-009395	17MAY12	TITAN MARTIN

- NOTES:**
- 1 PACK IN ACCORDANCE WITH AMP SPEC 107-3275
  - 2 100 TRAY PACK IN ACCORDANCE WITH AMP SPEC 107-3275
  - 3 Au PLATING
  - 4 Ni PLATING
  - 5 FOR TECHNICAL DATA REFER TO YOUR LOCAL TE CONNECTIVITY SALES OFFICE
  - 6 ALL DIMENSIONS ARE NOMINAL FOR REFERENCE ONLY UNLESS OTHERWISE STATED



Obsolete	Obsolete	Obsolete	Obsolete			
1	1	-	-	PTFE	INSULATION	4
-	-	1	1	PTFE	INSULATION	3
1	1	1	1	PHOSPHOR BRONZE 3	CONTACT	2
1	1	1	1	ZINC 4	BODY	1
5--3	5--2	5--1	5--0	MATERIAL	DESCRIPTION	ITEM
1	2	1	2			
QUANTITY PER ASSY				PARTS LIST		

THIS DRAWING IS A CONTROLLED DOCUMENT.		DWN RITA ZUO 11 Mar 09					
DIMENSIONS: mm		CHK ANSON MA 11 Mar 09					
TOLERANCES UNLESS OTHERWISE SPECIFIED:		APVD BOB ZHAO 11 Mar 09					
0 PLC ± - 1 PLC ± - 2 PLC ± - 3 PLC ± - 4 PLC ± - ANGLES ± - MATERIAL FINISH SEE TABLE		NAME TNC STRAIGHT PCB SOCKET 50 & 75 OHM					
MATERIAL SEE TABLE		PRODUCT SPEC 108-112000	SIZE A3	CAGE CODE 00779	DRAWING NO C-1814805	RESTRICTED TO -	
		APPLICATION SPEC -	CUSTOMER DRAWING		SCALE NTS	SHEET 1 OF 1	REV C

# Mouser Electronics

Authorized Distributor

Click to View Pricing, Inventory, Delivery & Lifecycle Information:

[TE Connectivity:](#)

[5-1814805-1](#)