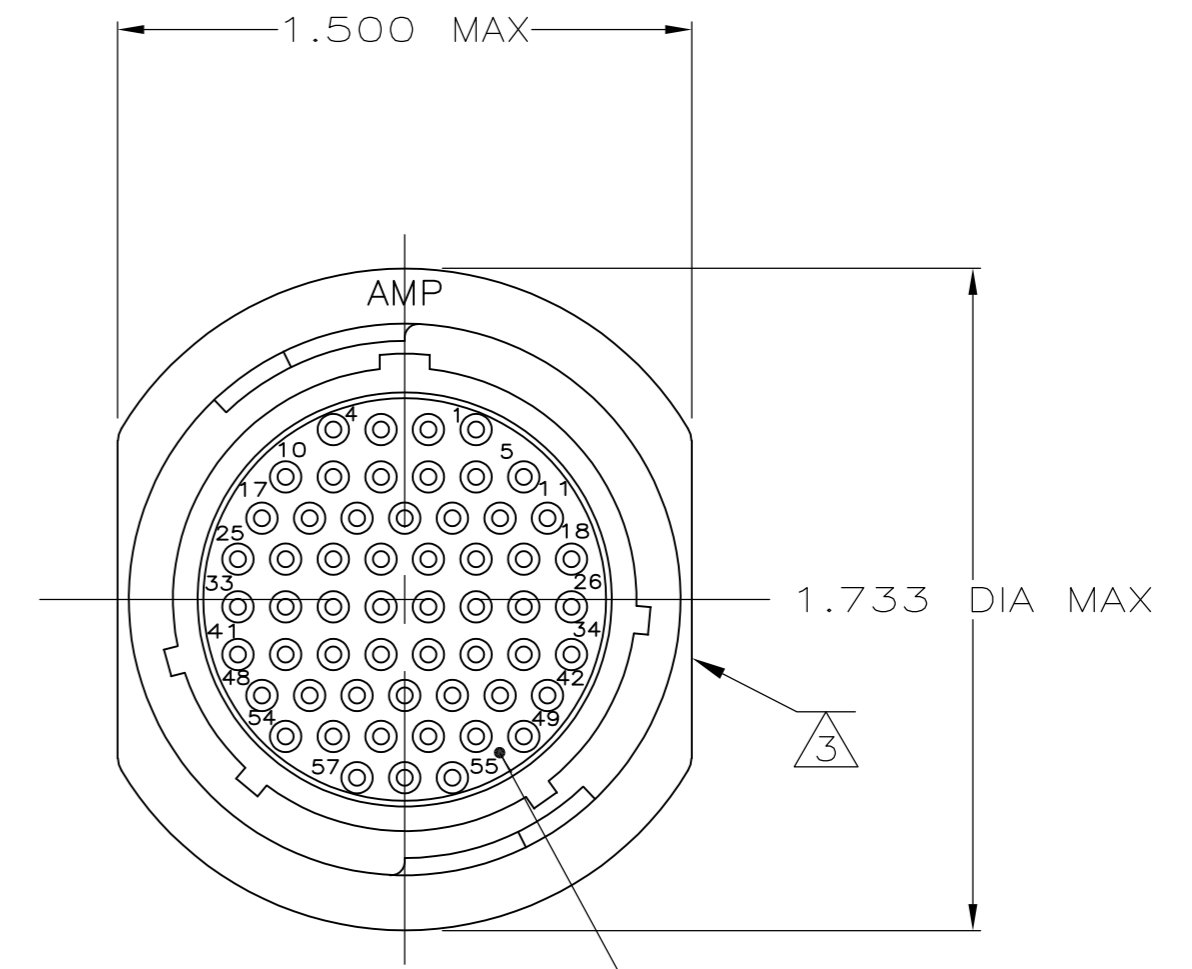
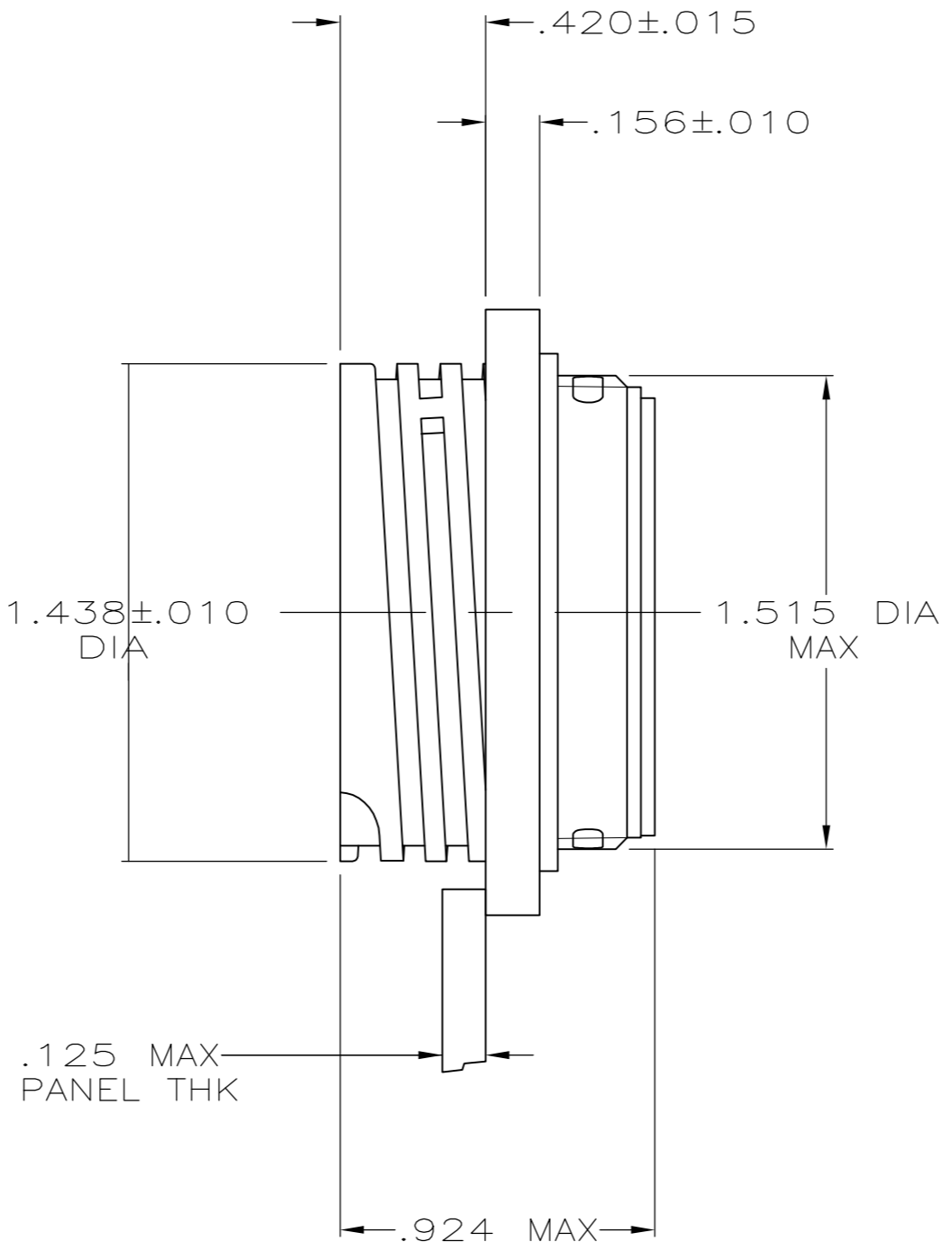
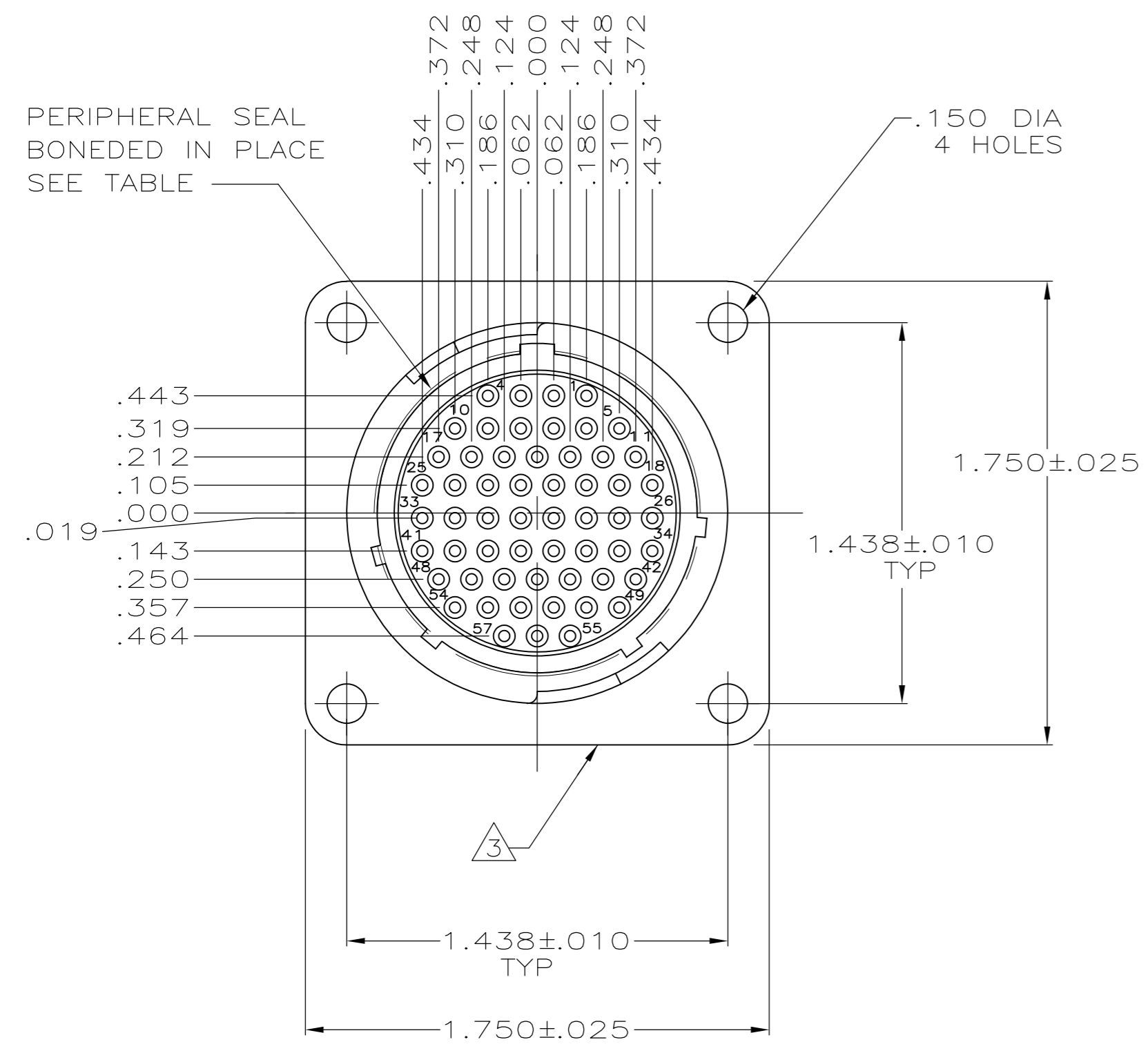
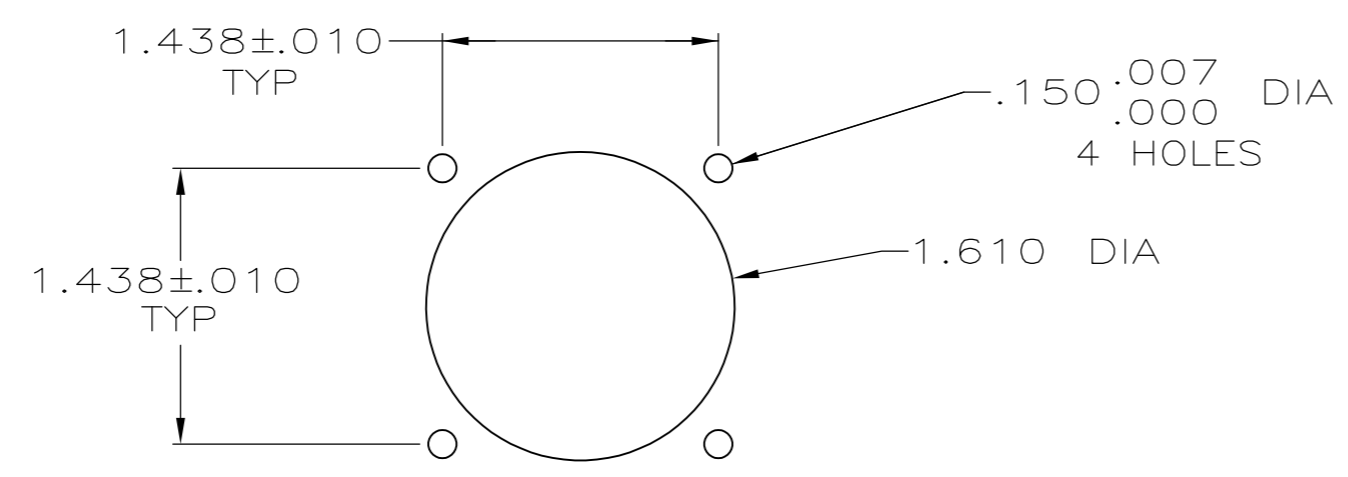


THIS DRAWING IS UNPUBLISHED. RELEASED FOR PUBLICATION  
 © COPYRIGHT BY TYCO ELECTRONICS CORPORATION. ALL RIGHTS RESERVED.

LOC	DIST	REVISIONS					
FT	0	P	LTR	DESCRIPTION	DATE	DWN	APVD
		K		REVISE PER 0G3B-0582-03	7/29/03	SS	SH
		K1		REVISED PER ECO-09-020935	10SEP09	KK	AEG



FREE HANGING (-2 ONLY)



PANEL CUTOUT SCALE 1:1

NOTES:

- CONTACT CAVITIES IDENTIFIED BY CHARACTERS ON FRONT AND REAR FACES OF CONNECTOR.
- WILL ACCEPT (57) SIZE 20 SOCKET CONTACTS.
- PART NUMBER THIS AREA.
- #4 FASTENER RECOMMENDED FOR MOUNTING.
- OBSOLETE PARTS: OBSOLETE CIS STREAMLINING PER D.RENAUD/D.SINISI

	OBSOLETE	YES	206438-3
		NO	206438-2
		NO	206438-1
	PERIPHERAL SEAL	PART NUMBER	

THIS DRAWING IS A CONTROLLED DOCUMENT.		DWN A.STAUB BG 4/3/91	Tyco Electronics Corporation Harrisburg, PA 17105	
DIMENSIONS: INCHES		CHK W.G.LENKER 7-27-92	NAME	
TOLERANCES UNLESS OTHERWISE SPECIFIED:		APVD -	PRODUCT SPEC 108-10024	
0 PLC ± -		APPLICATION SPEC -		
1 PLC ± -		WEIGHT -		
2 PLC ± -		SIZE A2 CAGE CODE 00779		
3 PLC ± .005		DRAWING NO C=206438		
4 PLC ± -		RESTRICTED TO -		
ANGLES ± -		SCALE 2:1 SHEET 1 OF 1 REV K1		
FINISH -		CUSTOMER DRAWING		