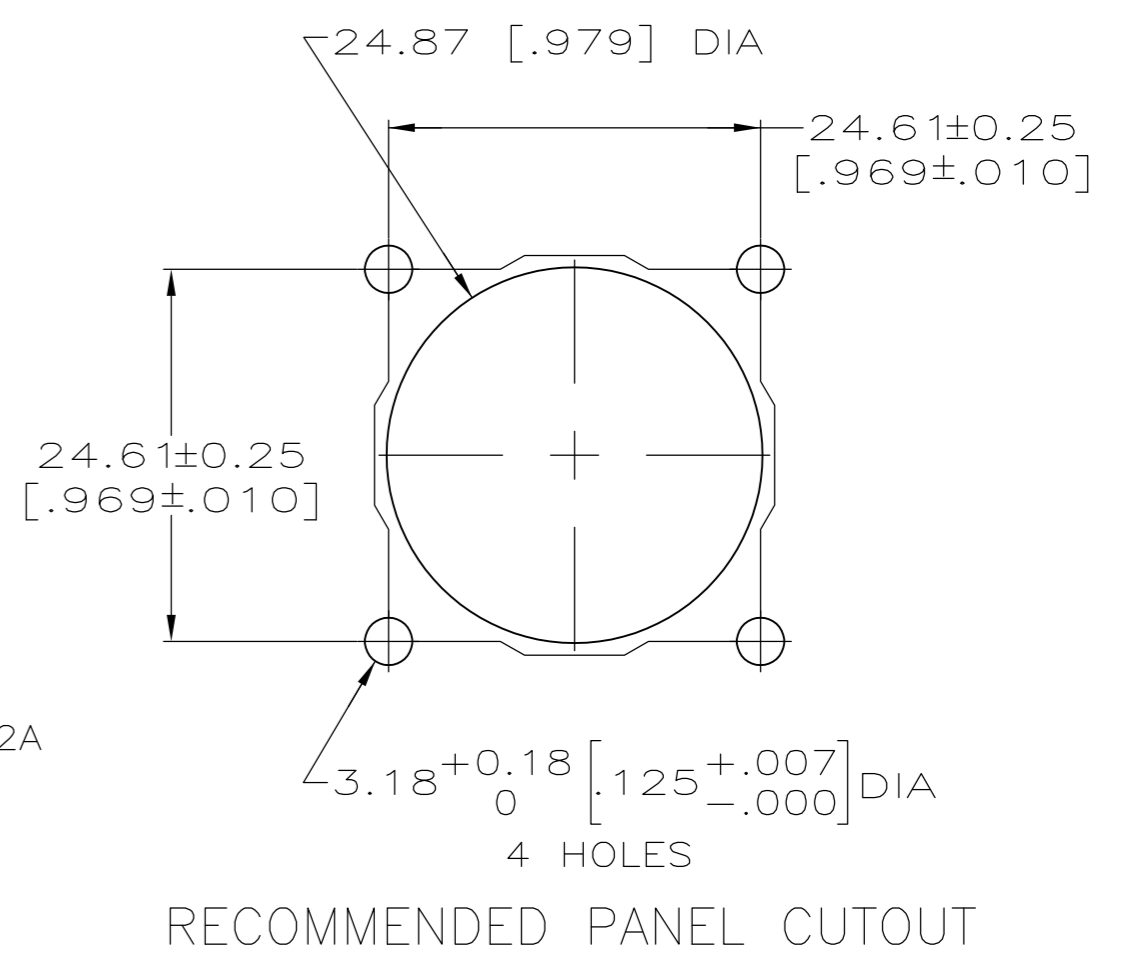
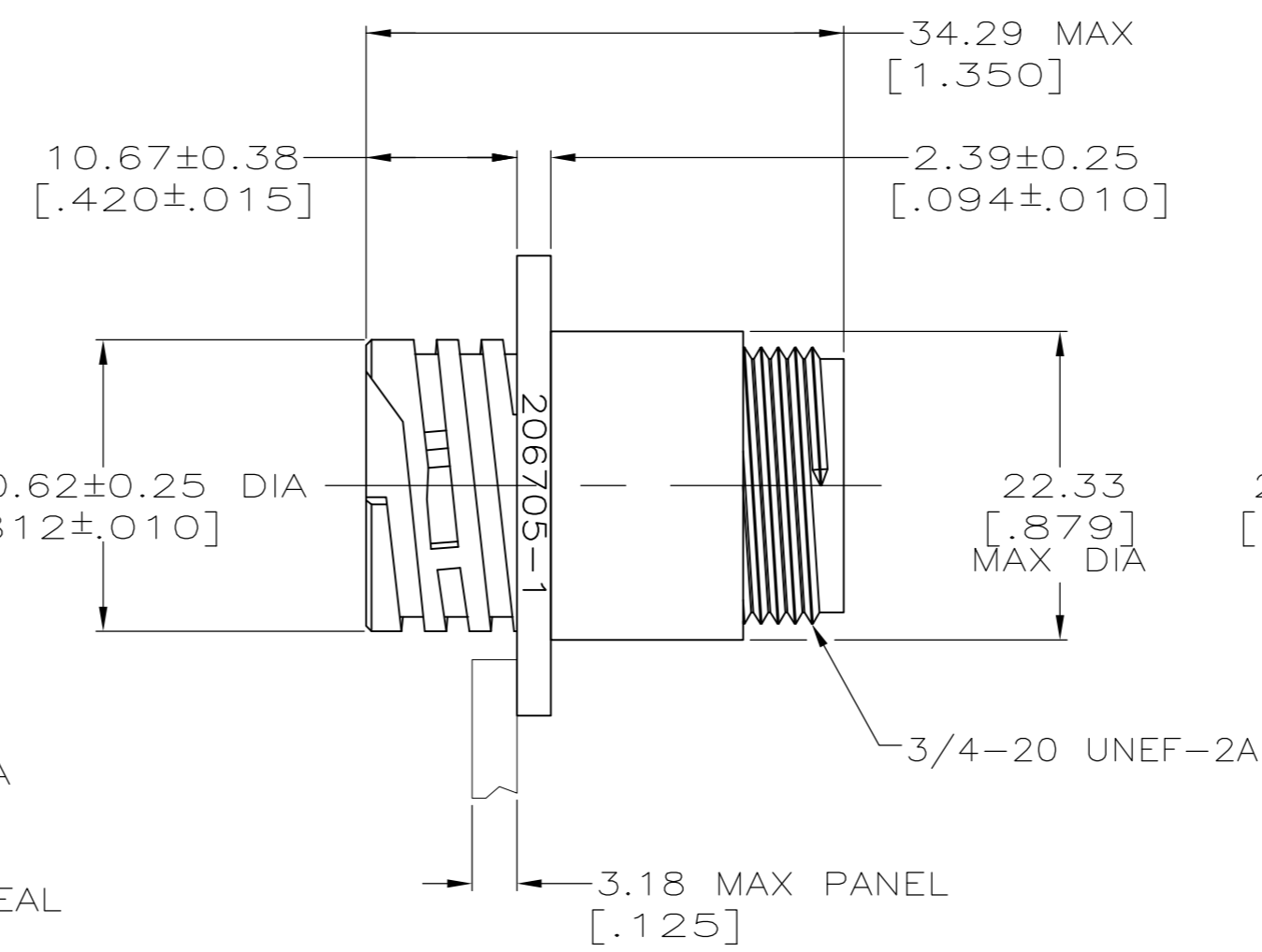
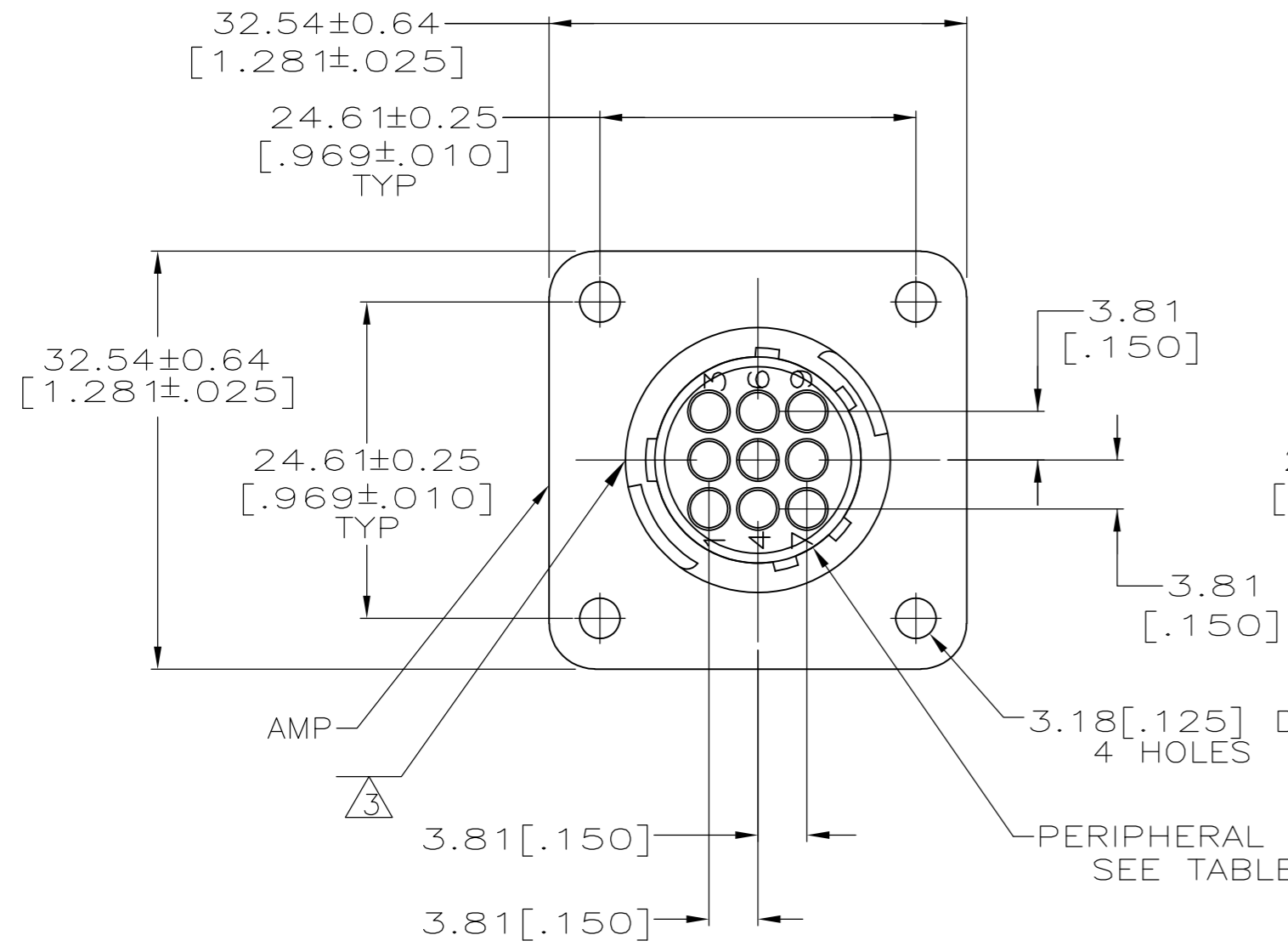
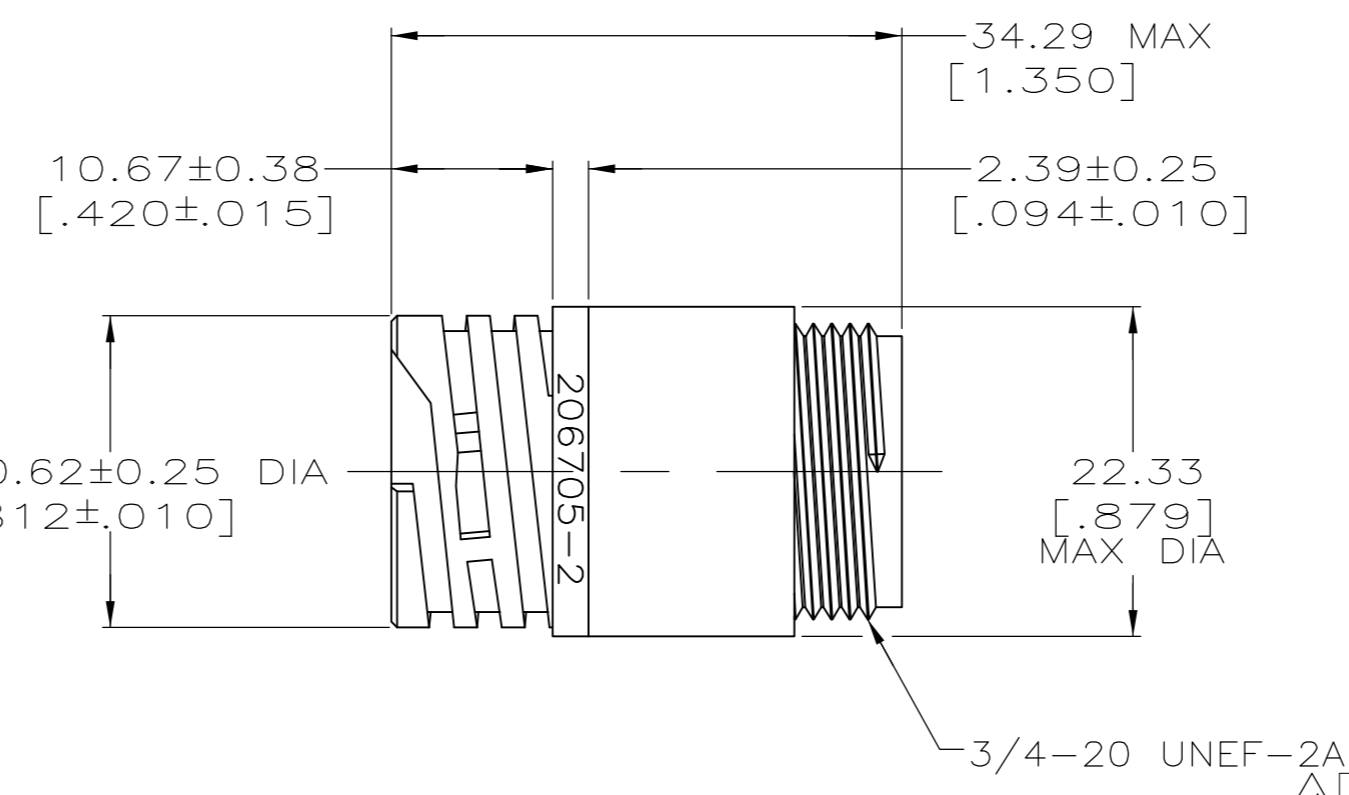
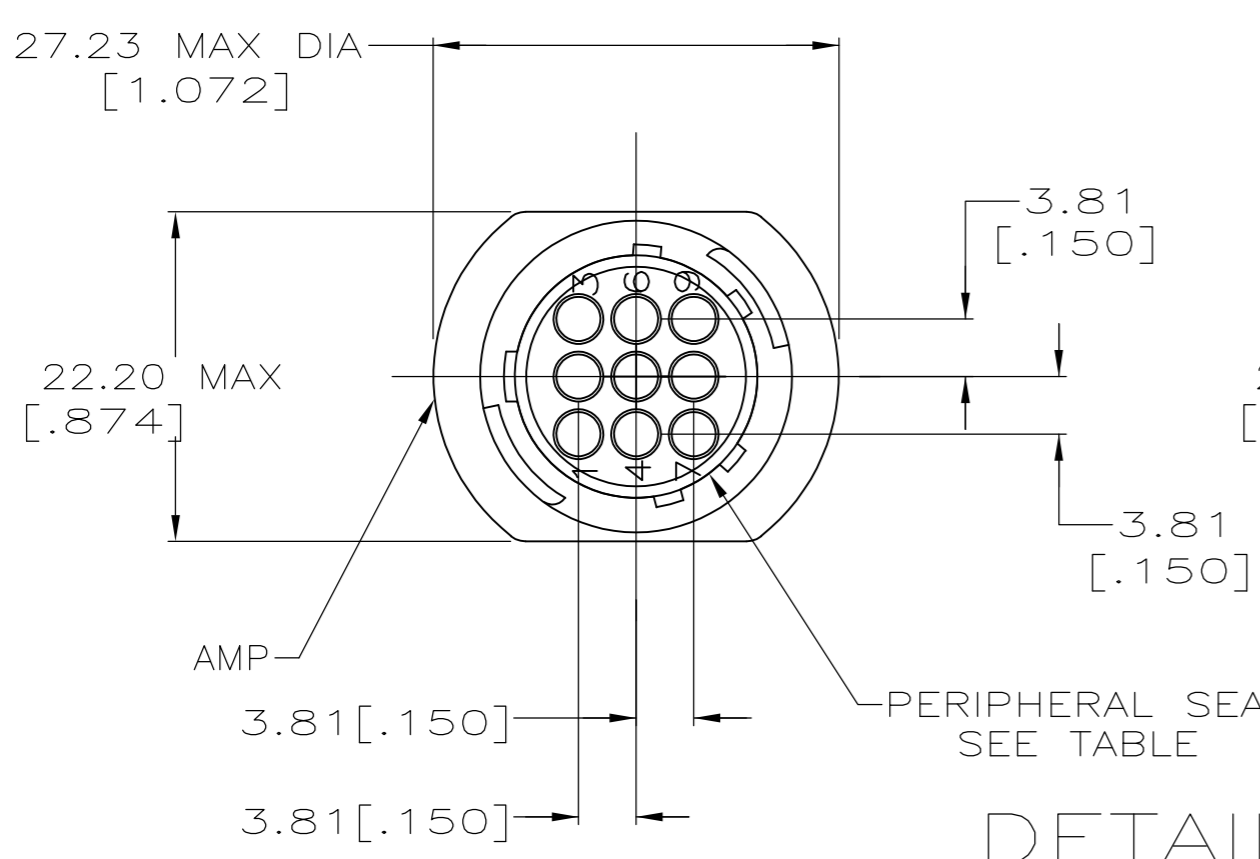


THIS DRAWING IS UNPUBLISHED. RELEASED FOR PUBLICATION
 © COPYRIGHT - By - ALL RIGHTS RESERVED.

LOC		DIST		REVISIONS			
P	LTR	DESCRIPTION		DATE	DWN	APVD	
FT	0	L2	REVISED PER ECO-11-010839	25MAY11	RK	HMR	



DETAIL A



DETAIL B

NOTES	PERIPHERAL SEAL	SEE DETAIL	PART NUMBER
③	NO	A	206705-5
④	YES	B	206705-4
③	YES	A	206705-3
④	NO	B	206705-2
③	NO	A	206705-1

- NOTES:
- CAVITY IDENTIFICATION ON FRONT AND REAR FACE.
 - RECEPTACLE WILL ACCEPT NINE (9) MULTIMATE PIN CONTACTS.
 - WHITE DOT OVER MAJOR KEY, APPROX WHERE SHOWN.
 - PRELIMINARY PART NUMBER.

THIS DRAWING IS A CONTROLLED DOCUMENT.

DWN	D.HARDY	05/19/94
CHK	R.STONE	05/20/94
APVD	-	-
PRODUCT SPEC	108-10024	
APPLICATION SPEC	-	
MATERIAL	NYLON, BLACK	FINISH
WEIGHT	-	SCALE
CUSTOMER DRAWING	SCALE	2:1

TE Connectivity

RECEPTACLE HOUSING, STANDARD
SEX, SHELL SIZE 13, CPC

SIZE	A2	CAGE CODE	00779	DRAWING NO	C=206705	RESTRICTED TO	-
SHEET	1	OF 1	REV	L2			