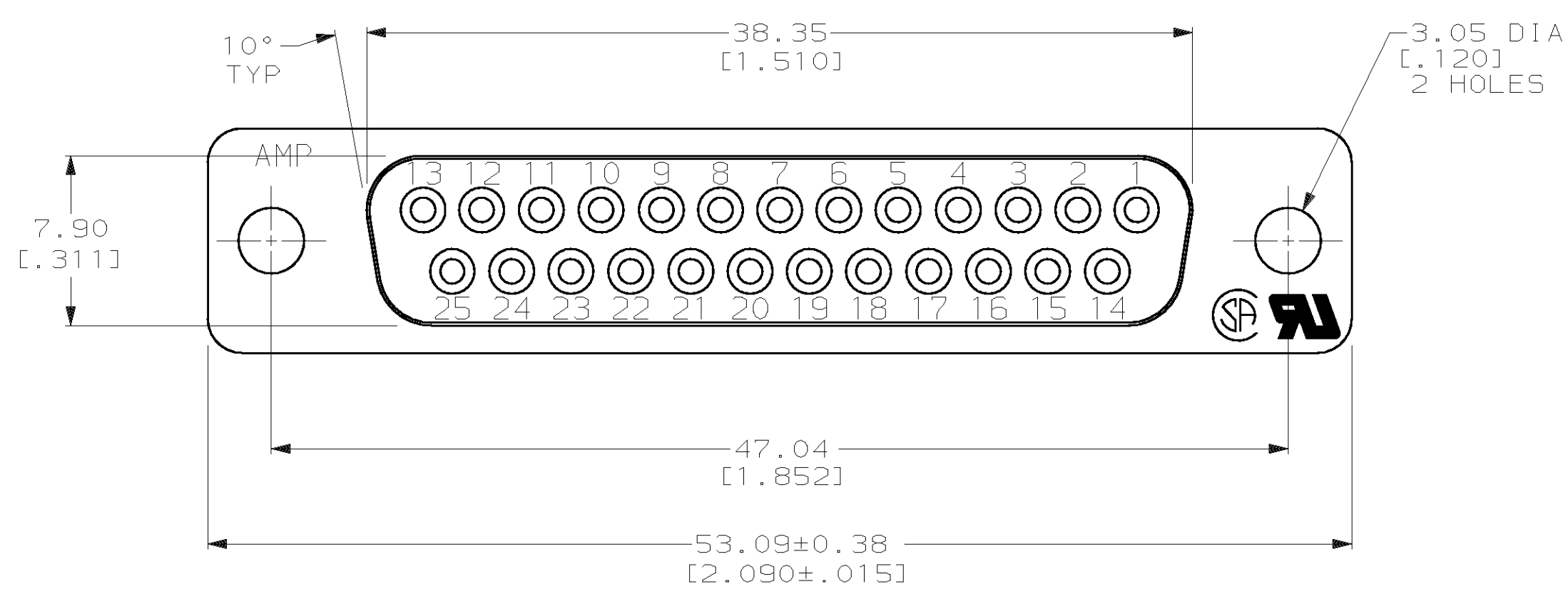
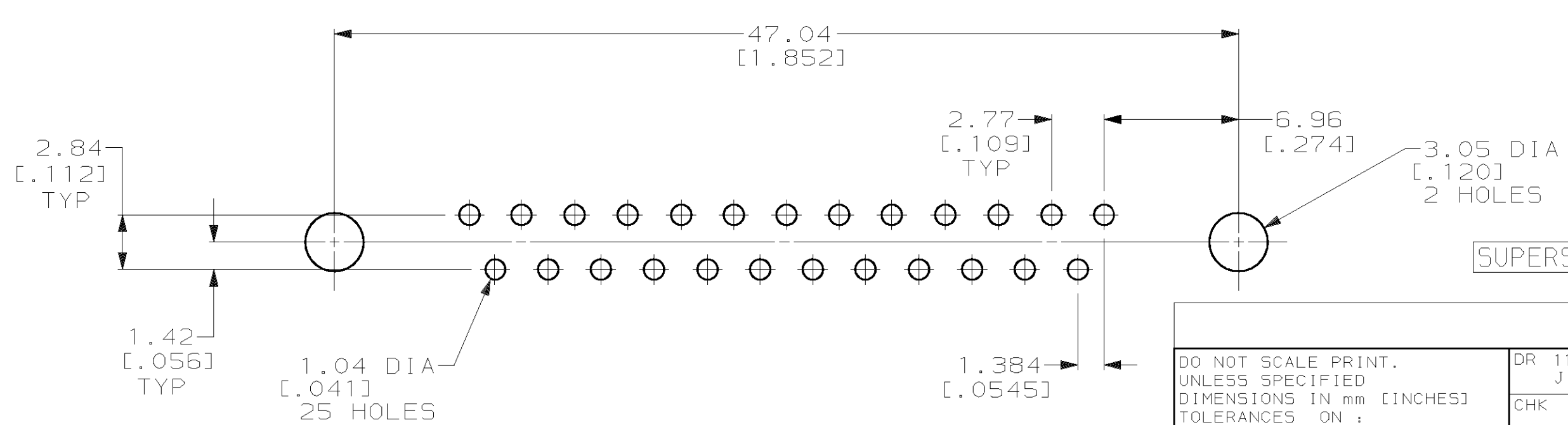
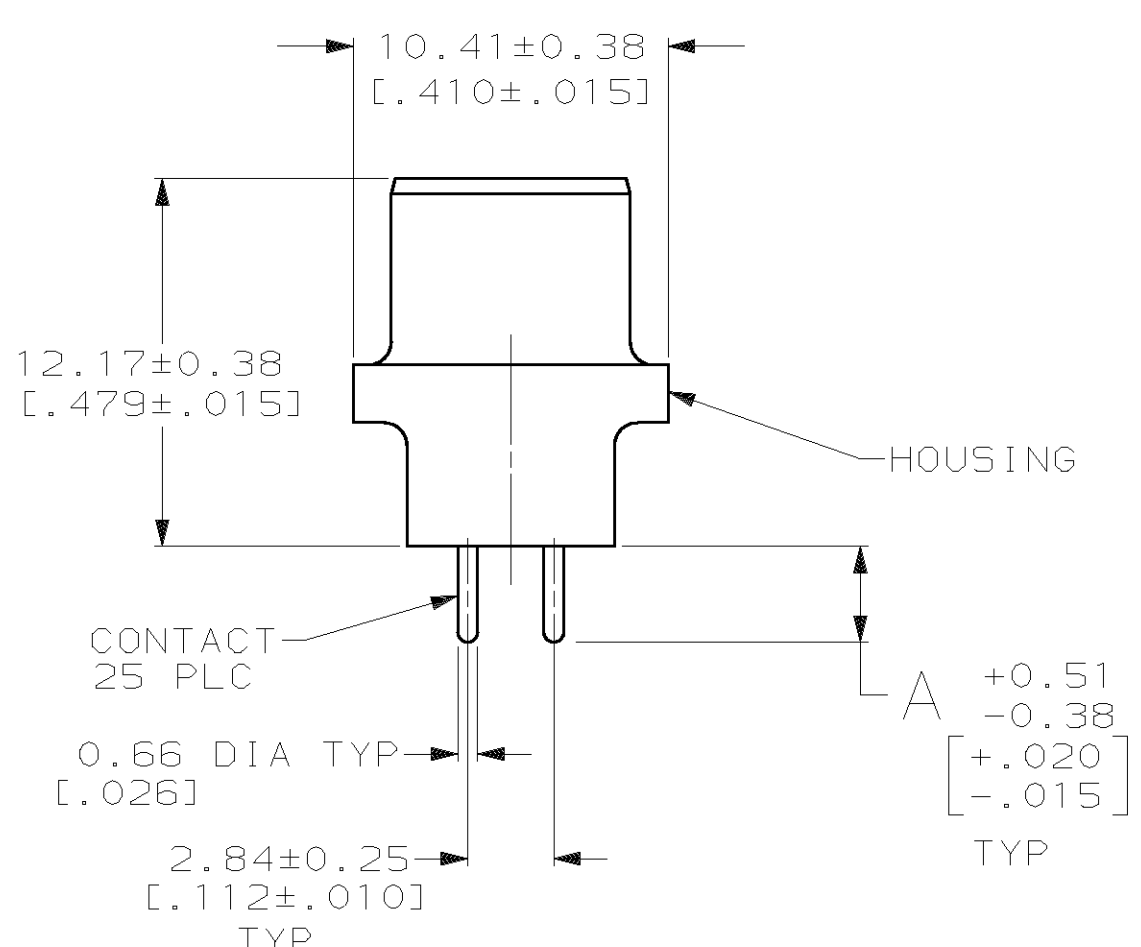
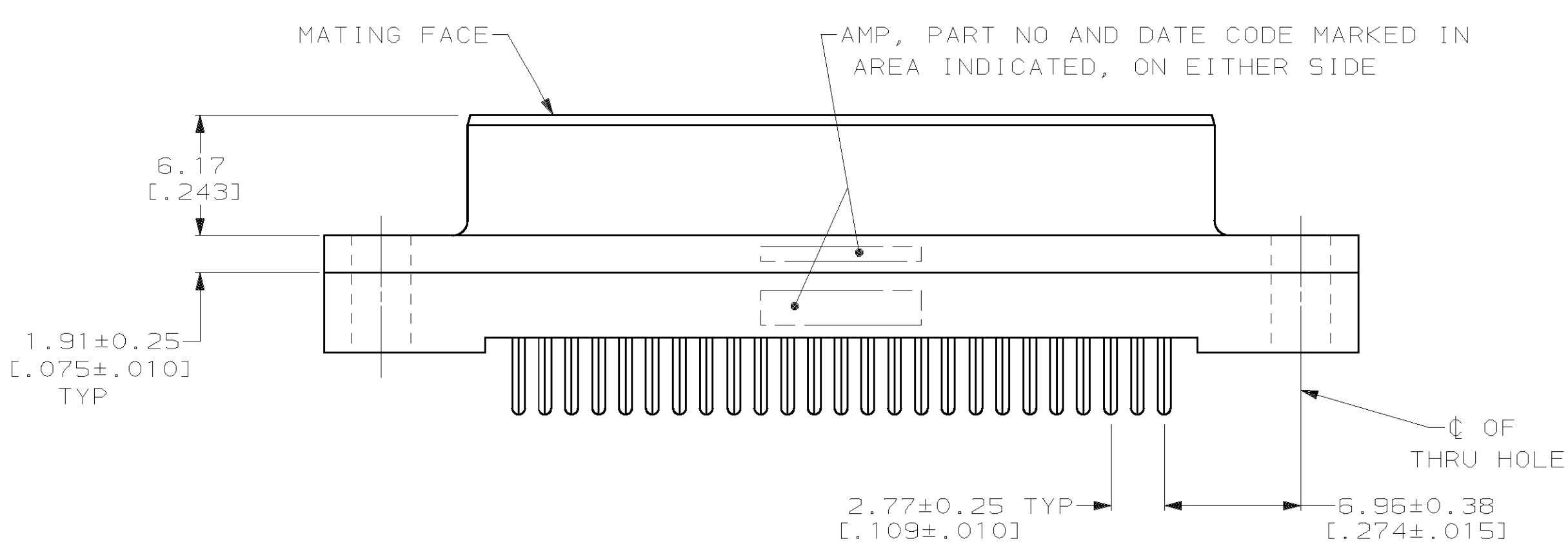


THIS DRAWING IS UNPUBLISHED. RELEASED FOR PUBLICATION .19 .  
 © COPYRIGHT 19 BY AMP INCORPORATED. ALL INTERNATIONAL RIGHTS RESERVED.

LOC		DIST		P		F		REVISIONS		DATE	APPD
ZONE	LTR	DESCRIPTION		DATE	APPD						
GP	00					H	REVISED PER EC 0513-0017-03	12MAY03	JG		



- ① HOUSING: BLACK POLYESTER, UL 94V-0 RATED; CONTACTS: PHOSPHOR BRONZE PER QQ-B-750.
- ② GOLD PLATING PER MIL-G-45204, TIN PLATING PER MIL-T-10727, NICKEL PLATING PER QQ-N-290.
- ③ GOLD FLASH FOR A LENGTH OF 3.81 [0.150] MIN FROM MATING END, 2.54µm [0.000100] MIN TIN OR TIN-LEAD FOR A LENGTH OF DIMENSION A FROM OPPOSITE END, ALL OVER 1.27µm [0.000050] MIN NICKEL.
- ④ 0.76µm [0.000030] MIN GOLD FOR A LENGTH OF 3.81 [0.150] MIN FROM MATING END, 2.54µm [0.000100] MIN TIN OR TIN-LEAD FOR A LENGTH OF DIMENSION A FROM OPPOSITE END, ALL OVER 1.27µm [0.000050] MIN NICKEL.



STATUS	LENGTH	CONTACT FINISH	PART NO
OBSOLETE	6.35 [0.250]	④	207828-8
OBSOLETE	6.35 [0.250]	③	207828-7
OBSOLETE	4.32 [0.170]	④	207828-6
OBSOLETE	4.32 [0.170]	③	207828-5
	3.18 [0.125]	④	207828-4
	3.18 [0.125]	③	207828-3
SUPERSEDED BY 207828-6	3.56 [0.140]	④	207828-2
OBSOLETE	3.56 [0.140]	③	207828-1

RECOMMENDED PC BOARD MOUNTING DIMENSIONS

DO NOT SCALE PRINT. UNLESS SPECIFIED DIMENSIONS IN mm [INCHES] TOLERANCES ON : 2 PLC DEC ± 0.13 [0.005] 3 PLC DEC ± - ANGLES ± 2°	DR 11-16-89 J McCLINTON CHK 2-2-90 R.STONE APPD 2-2-90 S.SCHEFFERLY APPD 2-2-90 C.ROHDE PRODUCT SPEC 108-40025 APPLICATION SPEC - WEIGHT -	AMP INCORPORATED Harrisburg, Pa. 17105 NAME RECEPTACLE ASSEMBLY, SIZE 3, 25 POSN, VERTICAL, AMPLIMITE® HD-20 SIZE C CAGE CODE 00779 DRAWING NO 207828 SCALE 4:1 SHEET 1 OF 1
--	---	--