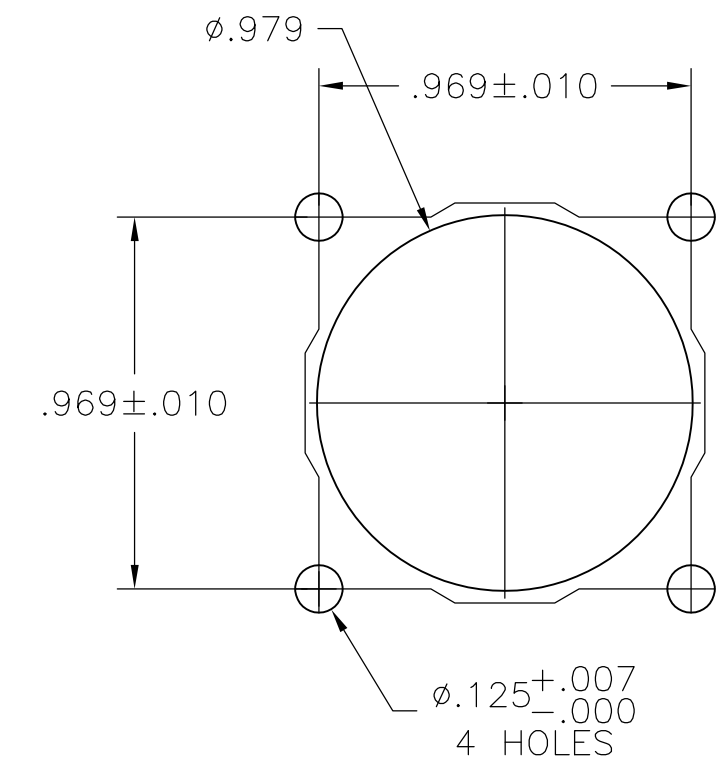
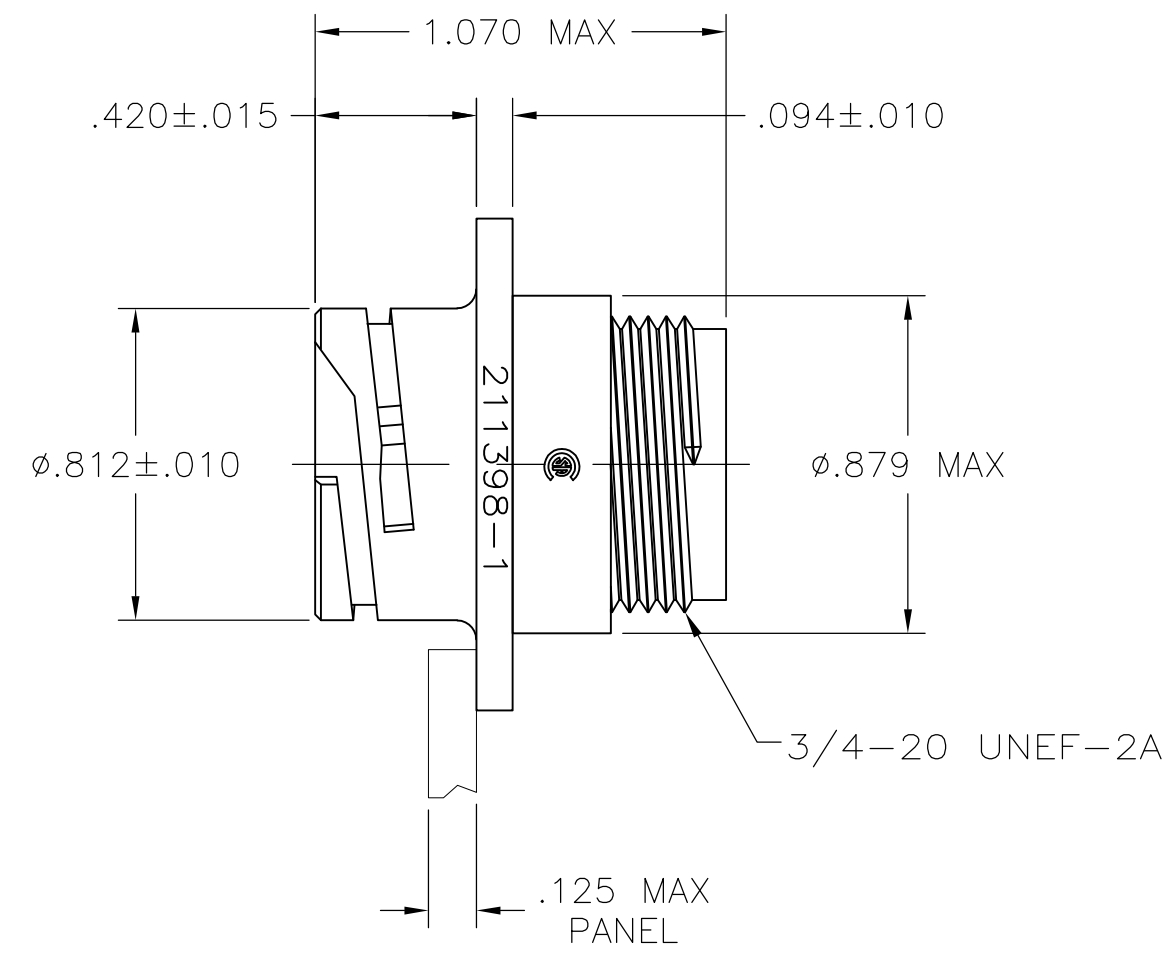
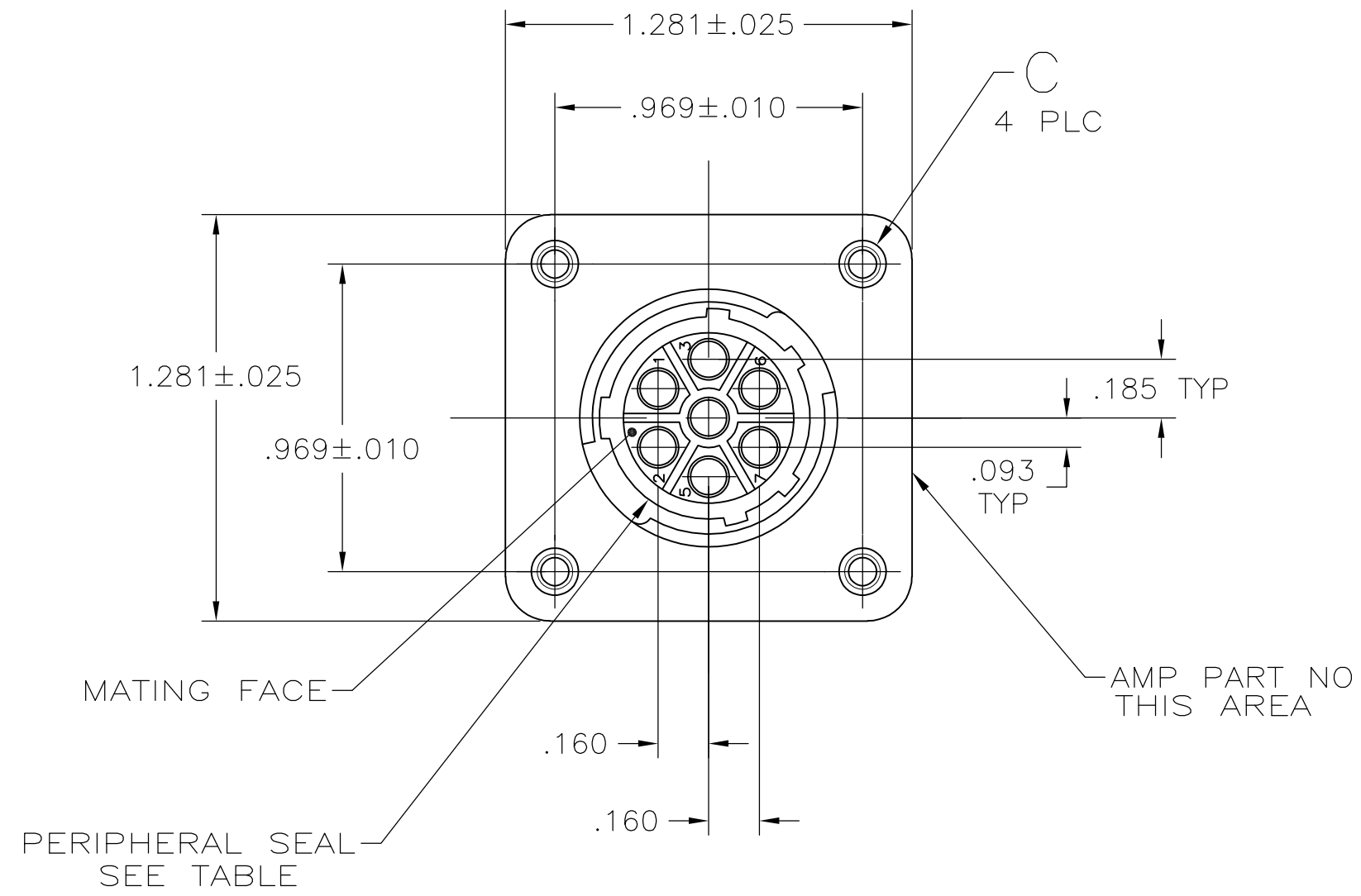


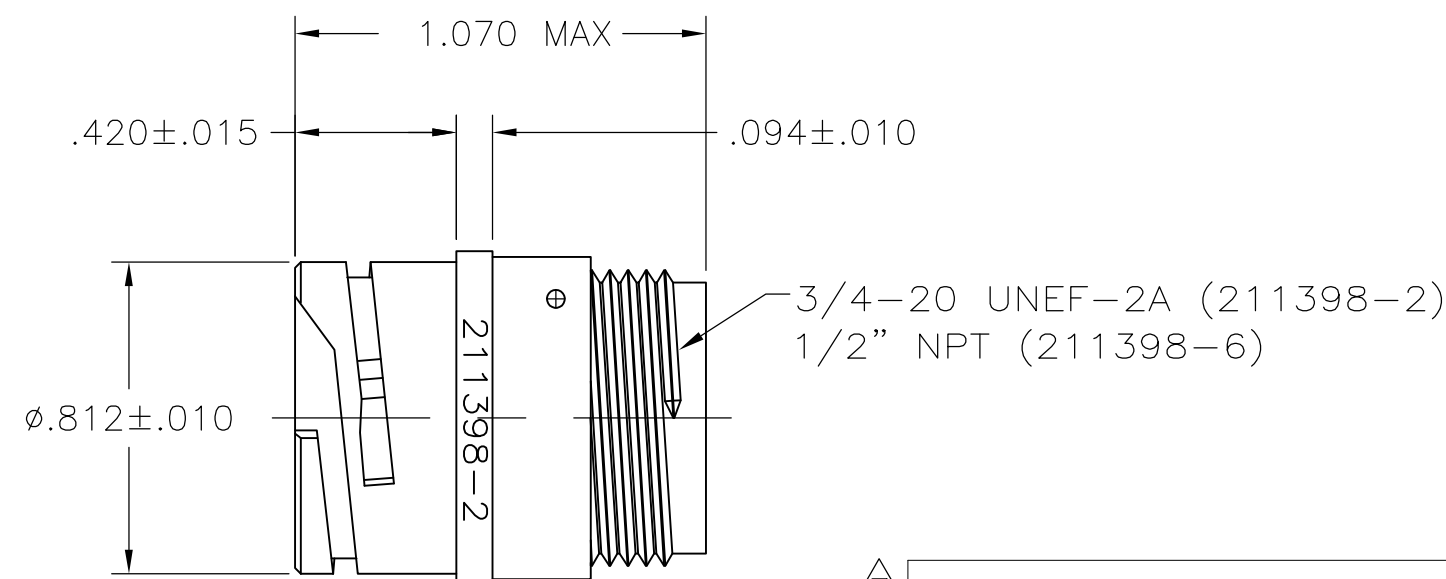
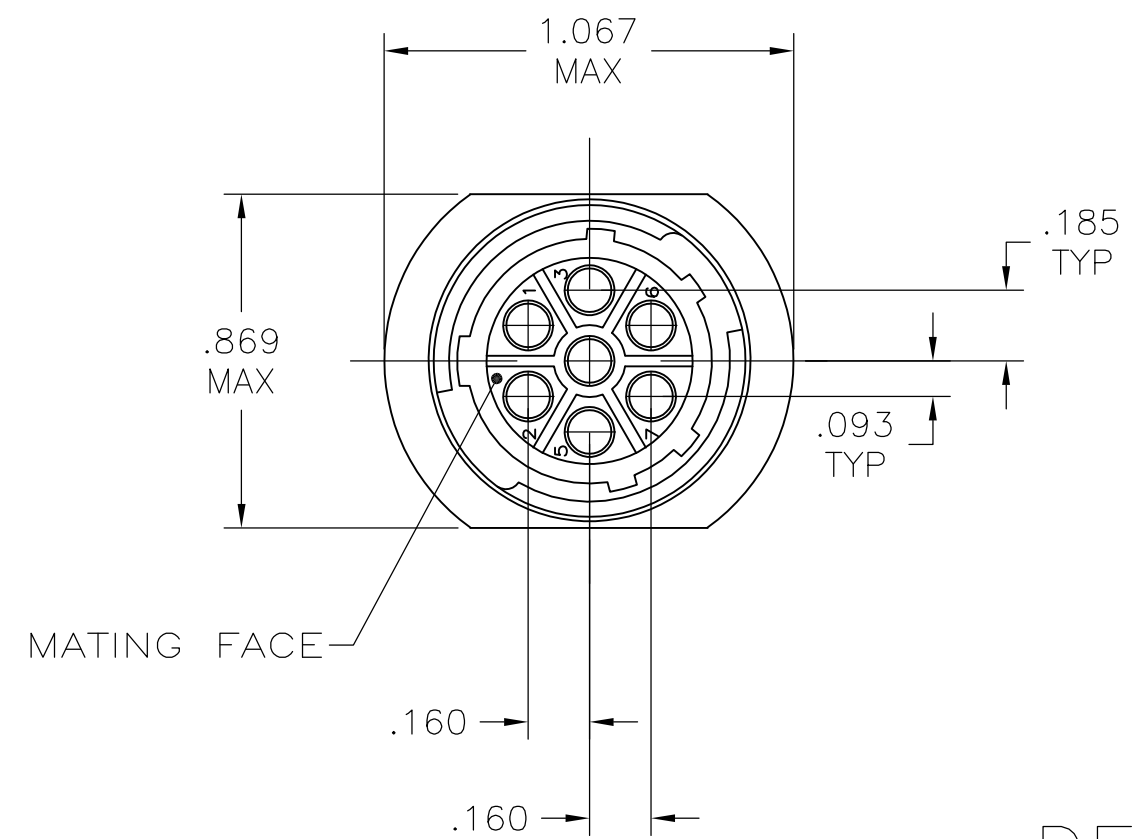
THIS DRAWING IS UNPUBLISHED. RELEASED FOR PUBLICATION
 © COPYRIGHT - By - ALL RIGHTS RESERVED.

LOC		DIST		REVISIONS			
P	LTR	DESCRIPTION	DATE	DWN	APVD		
	K1	REVISED PER ECO-11-004587	11MAR11	RK	HMR		



RECOMMENDED PANEL CUTOUT

DETAIL A



DETAIL B

NOTES:

- CAVITY IDENTIFICATION ON FRONT AND REAR FACE.
 - WILL ACCEPT SEVEN (7) MULTIMATE SOCKET CONTACTS.
- ⚠ PRELIMINARY PART NUMBER.

3	-	NO	B	211398-6
3	4-40 THREADED INSERTS	YES	A	211398-5
	4-40 THREADED INSERTS	NO	A	211398-4
	φ.150±.003	YES	A	211398-3
	-	NO	B	211398-2
	φ.150±.003	NO	A	211398-1
	C	PERIPHERAL SEAL	SEE DETAIL	PART NUMBER

THIS DRAWING IS A CONTROLLED DOCUMENT.		DWN	07-27-94	TE Connectivity	
DIMENSIONS: INCHES		CHK	08-10-94	RECEPTACLE, HOUSING, REVERSE SEX, 13-7, CPC	
TOLERANCES UNLESS OTHERWISE SPECIFIED:		APVD	10-03-94	NAME	
0 PLC ± -		A.FRANTUM		SIZE	
1 PLC ± -		PRODUCT SPEC		CAGE CODE	
2 PLC ± .005		APPLICATION SPEC		DRAWING NO	
3 PLC ± -		-		RESTRICTED TO	
4 PLC ± -		-		SCALE	
ANGLES ± 0°30'		-		SHEET	
MATERIAL NYLON, BLACK		WEIGHT -		REV	
FINISH -		CUSTOMER DRAWING		K1	