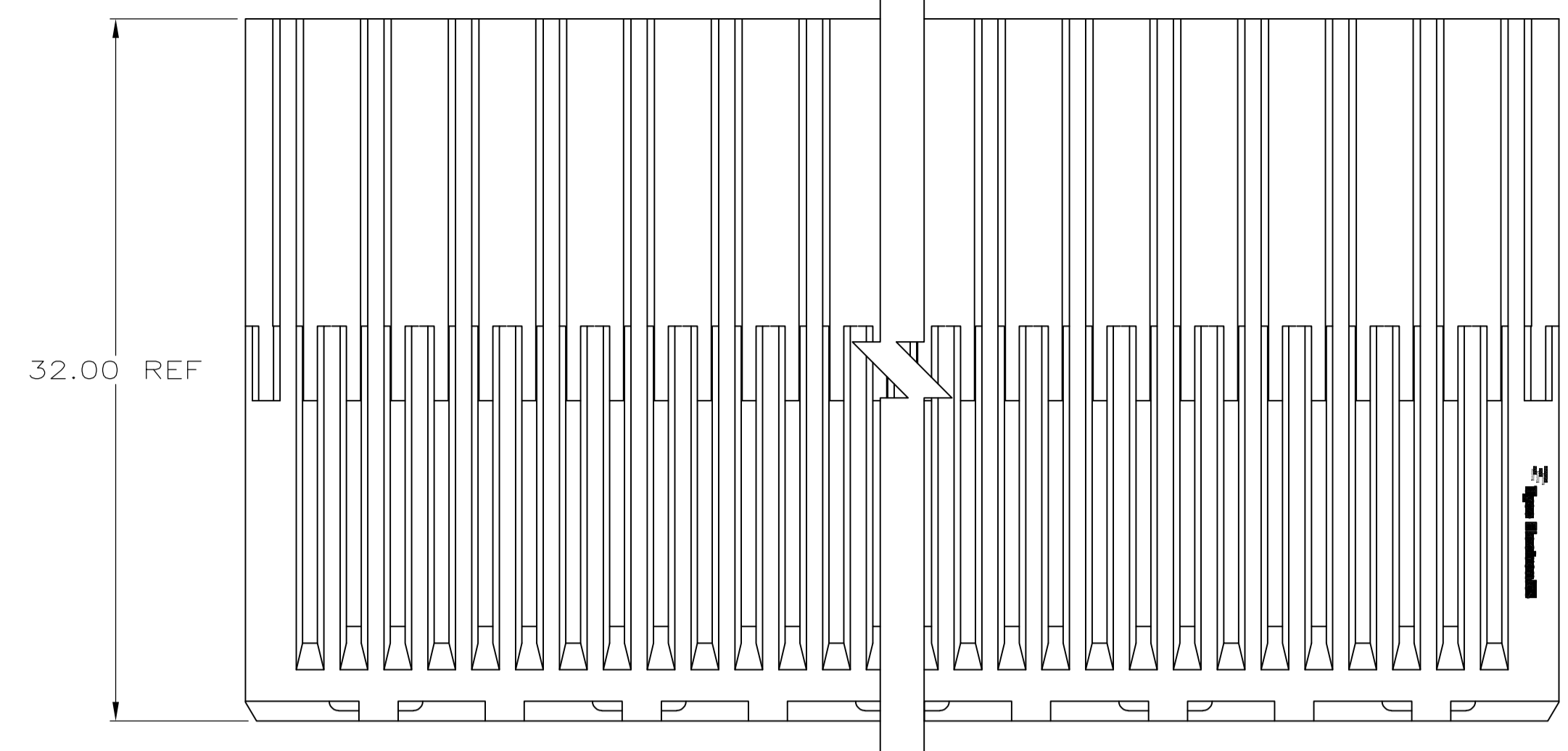
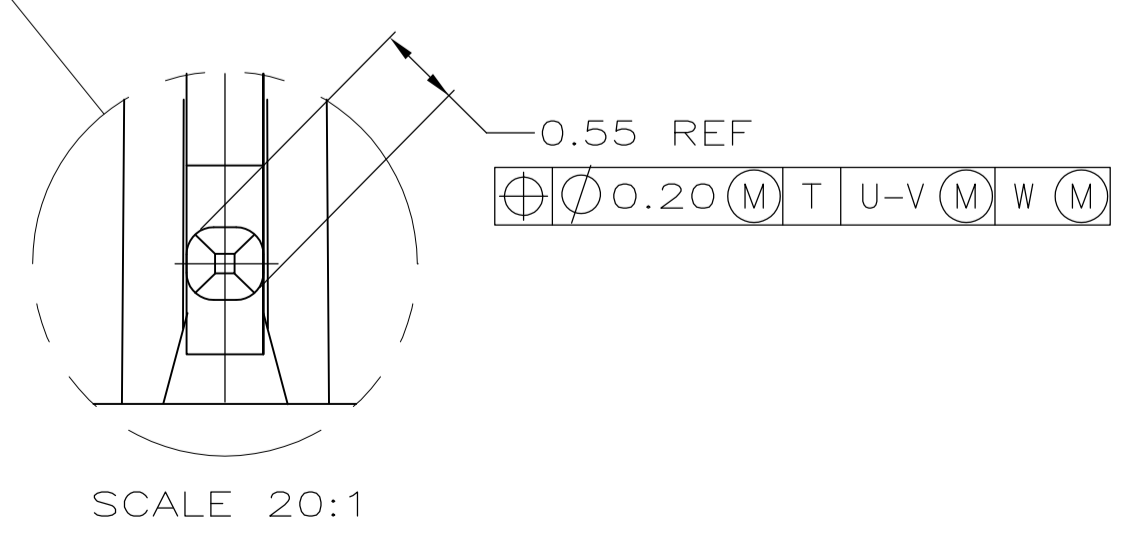
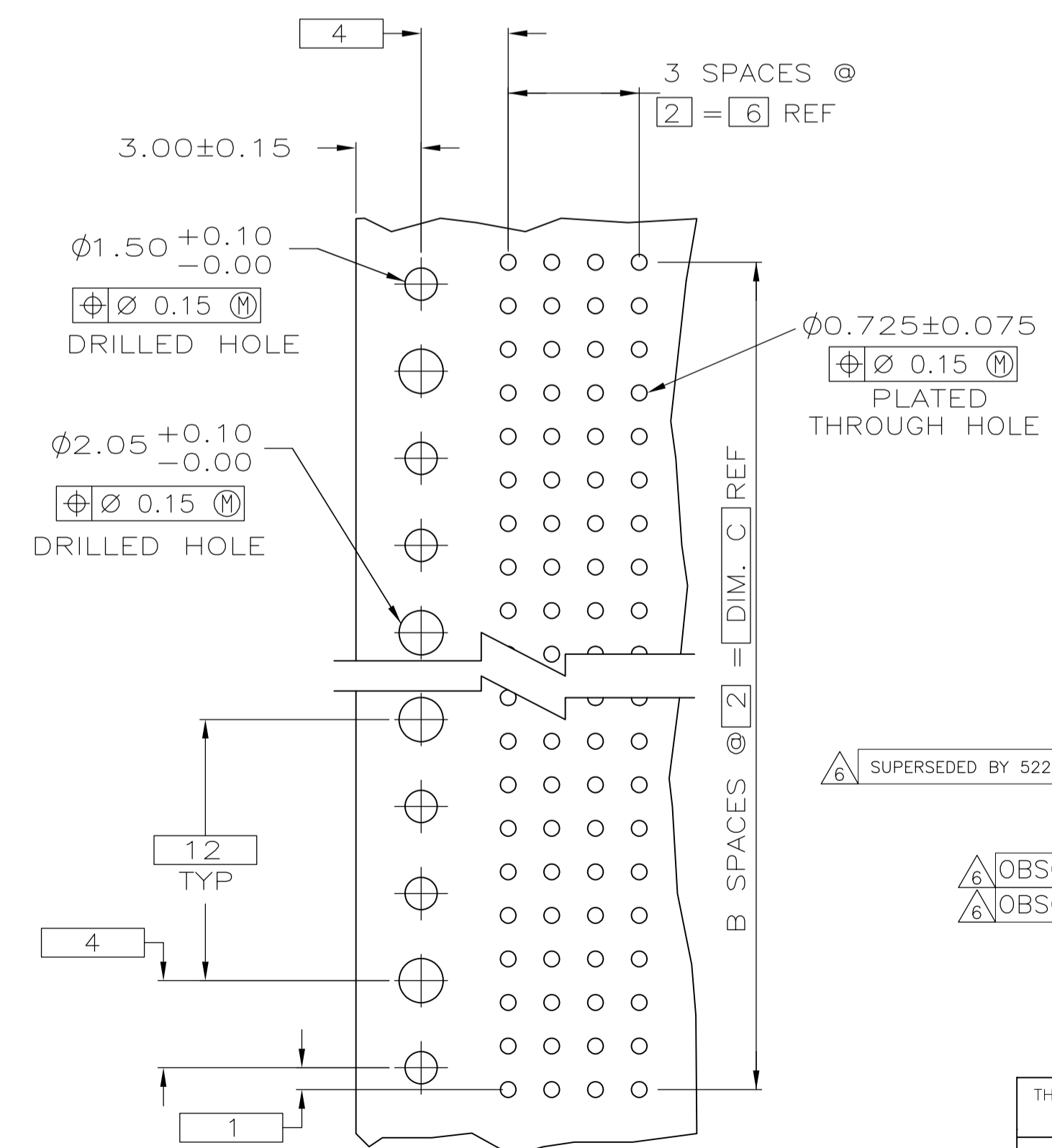
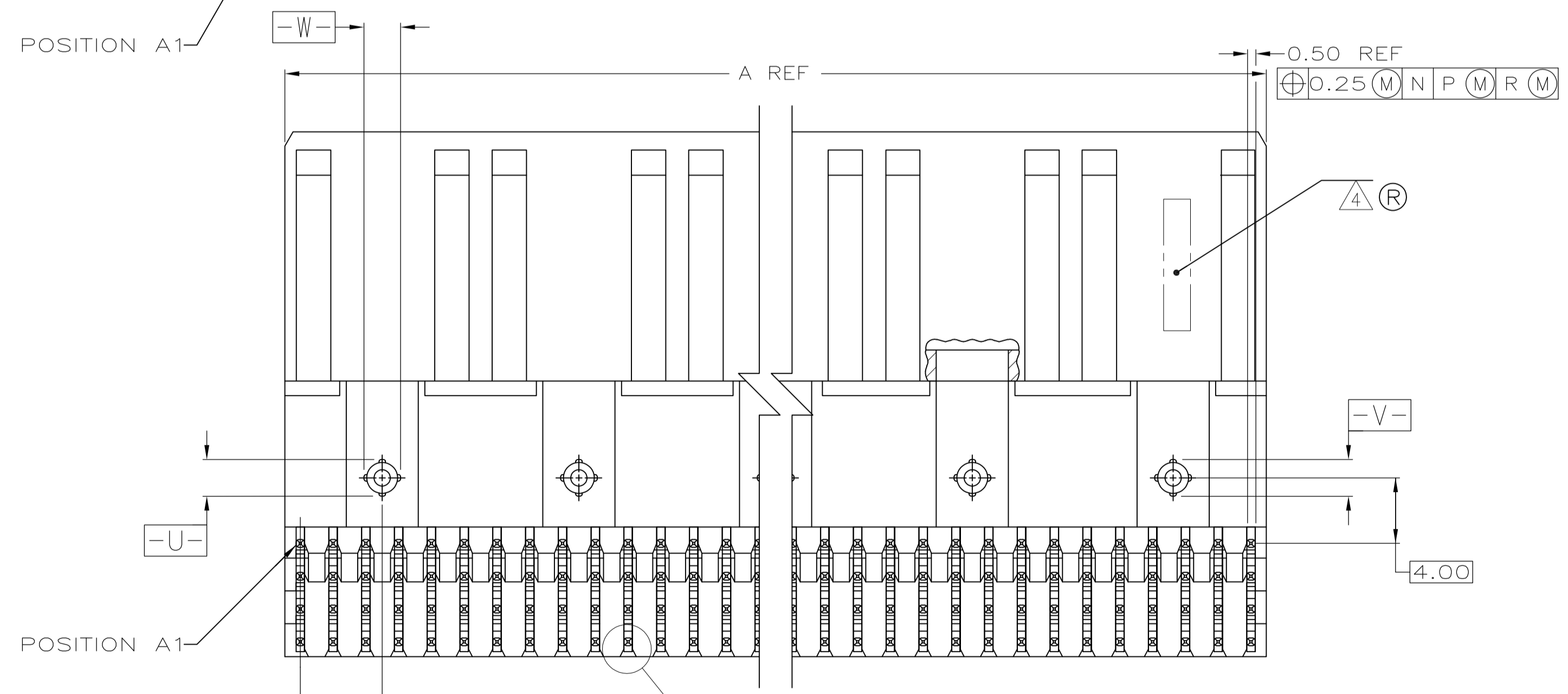
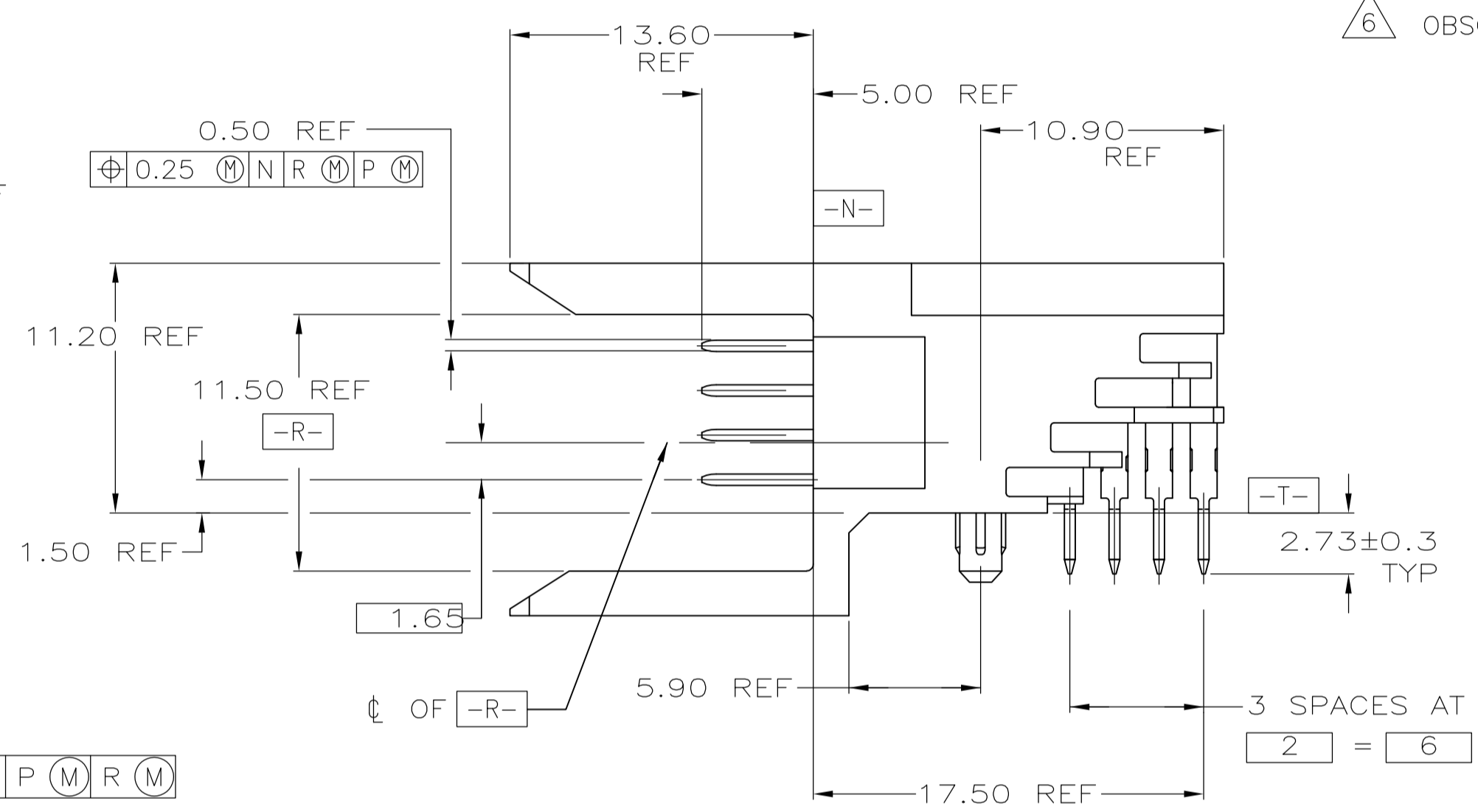
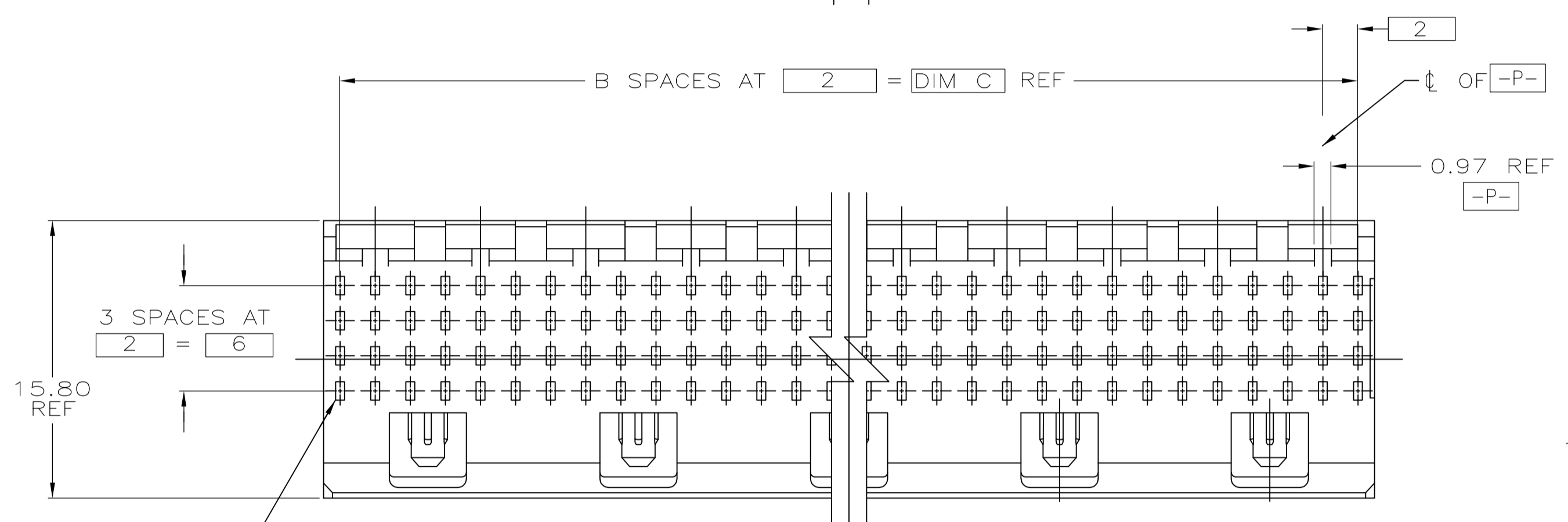


LOC		DIST		REVISIONS				
ES	00	REV	DATE	BY	CHK	APPV		
		R	14APR2010	SA	Y	SY		



- △ HOUSING MATERIAL: LIQUID CRYSTAL POLYMER  
COLOR: NATURAL.
- △ CONTACT MATERIAL: PHOSPHOR BRONZE PER UNS  
ALLOY NO. C51100, TEMPER: H04.
- △ CONTACT FINISH:  
UNDERPLATE (ENTIRE CONTACT):  
0.00127 MIN NICKEL.  
ON MATING SURFACES:  
CONFORMS TO ALL TESTING SPECIFIED FOR TELCORDIA  
UNCONTROLLED ENVIRONMENT.  
ON LEADS  
0.00381 MIN TIN-LEAD OVER UNDERPLATE.  
LUBRICATION (ENTIRE CONTACT):  
SURFACE CONDITIONER PER AMP SPEC 112-1002 AFTER PLATING.
- Ⓡ △ PART MARKING PER TE SPEC 115-9009 LOCATED APPROXIMATELY  
AS SHOWN BETWEEN RIBS/SLOTS ON EITHER SIDE OF HOUSING AT  
MANUFACTURER'S DISCRETION.
- △ PART TO BE MARKED WITH DATE CODE ONLY.
- △ OBSOLETE PARTS: OBSOLETE CIS STREAMLINING PER D.RENAUD/D.SINISI



SCALE 20:1

RECOMMENDED CIRCUIT PATTERN  
 PER IPC-D300 TYPE II, CLASS C  
 (COMPONENT SIDE)

REV	DESCRIPTION	DATE	BY	CHK	APPV
82	41	83.88	3	168	223513-8
34	17	35.88	3	72	223513-7
58	29	59.88	3	120	223513-6
70	35	71.88	3	144	223513-5
94	47	95.88	3	192	223513-4
46	23	47.88	3	96	223513-3
22	11	23.88	3	48	223513-2
10	5	11.88	3	24	223513-1

THIS DRAWING IS A CONTROLLED DOCUMENT.

DIMENSIONS: mm	TOLERANCES UNLESS OTHERWISE SPECIFIED:	0 PLC ± -	1 PLC ± -	2 PLC ± 0.13	3 PLC ± -	4 PLC ± -	ANGLES ± -
----------------	--	-----------	-----------	--------------	-----------	-----------	------------

APPROVED: D. BAECHTLE 08/AUG/95

DESIGNED: R. BUCHHEISTER 06/JUL/95

DATE: 04/AUG/95

NAME: ASSEMBLY, PIN, SIGNAL, RIGHT ANGLE, 4 ROW, Z-PACK 2mm FB

SIZE: A1

WEIGHT: 00779

CUSTOMER DRAWING: 223513

SCALE: 4:1

SHEET: 1 OF 1

REV: R