

THIS DRAWING IS UNPUBLISHED. RELEASED FOR PUBLICATION  
 © COPYRIGHT - By - ALL RIGHTS RESERVED.

LOC	DIST	REVISIONS					
FT	0	P	LTR	DESCRIPTION	DATE	DWN	APVD
			N3	REVISED PER ECO-11-004587	11MAR11	RK	HMR

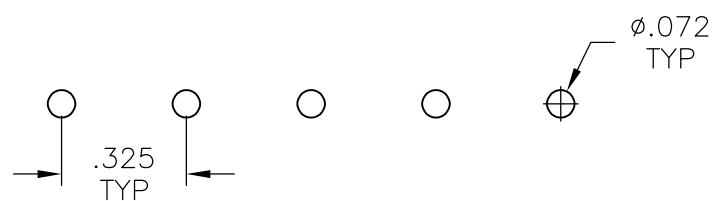
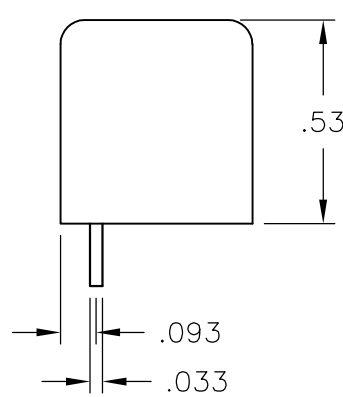
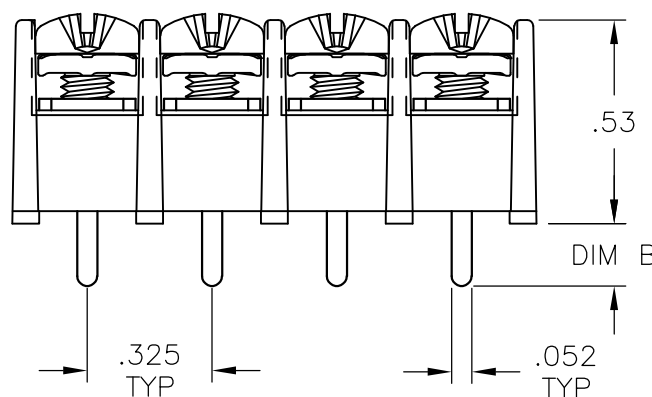
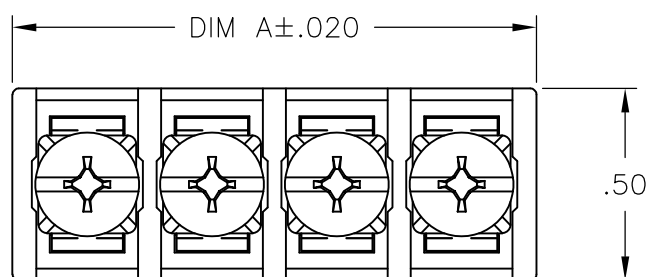
**MATERIAL:**  
 HOUSING: THERMOPLASTIC PA, UL94V-0, BLACK.  
 TERMINAL: BRIGHT TIN PLATED, COPPER ALLOY.  
 SCREW: 6-32, STEEL, ZINC PLATED CLEAR CHROMATE.

**ELECTRICAL:**  
 UL CLASS C: 20A, 150V.  
 UL CLASS D: 10A, 300V.  
 CSA TYPE B: 20A, 300V.  
 CSA TYPE C: 20A, 300V.  
 CSA TYPE D: 10A, 300V.  
 CSA TYPE E: 20A, 300V.  
 WIRE RANGE: 12-22 AWG

**MECHANICAL:**  
 MAXIMUM TORQUE RATING: 7 IN-LBS.  
 RUNNING TORQUE: 0.5-3.5 IN-LBS UNLESS OTHERWISE STATED.

- 1 SCREWS ARE BOTTOMED, NO THREAD INTERRUPT.
- 2 SCREWS ARE NICKEL PLATED BRASS.
- 3 SCREWS ARE CAPTIVE.
- 4 SEE FIGURE.
- 5 PRELIMINARY PART NUMBER.

6 OBSOLETE PARTS: OBSOLETE CIS STREAMLINING PER D.RENAUD/D.SINISI



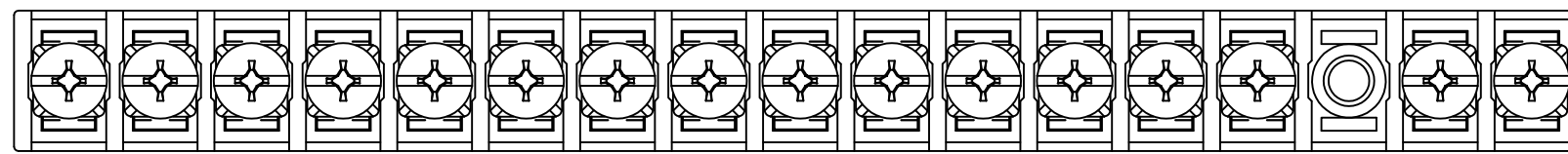
RECOMMENDED PCB LAYOUT

LOC	DIST	P	LTR	DESCRIPTION	DATE	DWN	APVD	
			N3	REVISED PER ECO-11-004587	11MAR11	RK	HMR	
5	4			.160 4DB-P108-18	5.915	18	4-1437667-4	
				.160 4DB-P108-16-105	5.590	17	2-796628-4	
				.160 4DB-P108-17	5.590	17	4-1437667-2	
				.160 4DB-P108-16	5.265	16	4-1437667-0	
				.160 4DB-P108-15	4.940	15	3-1437667-9	
2	1			.160 4DB-P108-14-102	4.615	14	2-796658-5	
				.160 4DB-P108-14-102	4.615	14	2-796658-3	
				.160 4DB-P108-14	4.615	14	3-1437667-8	
				.160 4DB-P108-13	4.290	13	3-1437667-7	
				.160 4DB-P108-12	3.965	12	3-1437667-6	
				.160 4DB-P108-11	3.640	11	3-1437667-5	
				.160 4DB-P108-10	3.315	10	3-1437667-3	
5	2			.160 4DB-P106-09-094	2.990	9	1-796658-7	
				.160 4DB-P108-09	2.990	9	3-1437667-2	
6	1			OBSOLETE .160 4DB-P108-08-091	2.665	8	<del>1-796658-4</del>	
				.160 4DB-P108-08	2.665	8	3-1437667-1	
5	3	2		.160 4DB-P106-07-100	2.340	7	2-796658-2	
				.160 4DB-P106-07-093	2.340	7	1-796658-6	
				.160 4DB-P108-07	2.340	7	3-1437667-0	
5	3	2		.160 4DB-P106-06-099	2.015	6	2-796658-1	
6	1			OBSOLETE .160 4DB-P108-06-090	2.015	6	<del>1-796658-3</del>	
				.200 4DB-P108-06	2.015	6	2-796658-6	
				.160 4DB-P108-06	2.015	6	2-1437667-9	
5	3	2		.160 4DB-P106-05-098	1.690	5	2-796658-0	
6	4			OBSOLETE .160 4DB-P108-05-093	1.690	5	<del>1-796658-5</del>	
				.160 4DB-P108-05	1.690	5	2-1437667-8	
5	3	2		.160 4DB-P106-04-097	1.365	4	1-796658-9	
				.160 4DB-P108-04-089	1.365	4	1-796658-2	
				.160 4DB-P108-04	1.365	4	2-1437667-6	
5	3	2		.160 4DB-P106-03-096	1.040	3	1-796658-8	
6	1			.160 4DB-P108-03-088	1.040	3	<del>1-796658-1</del>	
				.160 4DB-P108-03	1.040	3	2-1437667-5	
				.160 4DB-P108-02	.715	2	2-1437667-4	
				DIM B	CATALOG NUMBER	DIM A	NO OF POSN	PART NUMBER

THIS DRAWING IS A CONTROLLED DOCUMENT.		DWN S WELDON 01MAY2003	<b>STE</b> TE Connectivity	
DIMENSIONS: INCHES		CHK S YODER 5/1/03		
TOLERANCES UNLESS OTHERWISE SPECIFIED:		APVD S YODER 5/1/03	NAME ASSEMBLY, DUAL BARRIER 4DB-P108-XX	
0 PLC ± -		PRODUCT SPEC	SIZE CAGE CODE DRAWING NO RESTRICTED TO	
1 PLC ± -		APPLICATION SPEC	A3 00779 C-2-1437667-4	
2 PLC ± .01		WEIGHT -	SCALE NTS	SHEET 1 OF 2
3 PLC ± .005		CUSTOMER DRAWING	REV N3	
4 PLC ± -				
ANGLES ± 1°				
MATERIAL -				
FINISH -				


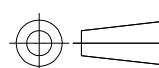
THIS DRAWING IS UNPUBLISHED.      RELEASED FOR PUBLICATION      - , - .  
 © COPYRIGHT - By -      ALL RIGHTS RESERVED.

LOC	DIST	REVISIONS			
P	LTR	DESCRIPTION	DATE	DWN	APVD
		SEE SHEET 1	-	-	-



2-796658-4

.160	4DB-P108-30	9.815	30	5-1437667-5
.160	4DB-P108-29	9.490	29	796658-9
.160	4DB-P108-28	9.165	28	5-1437667-3
.160	4DB-P108-27	8.840	27	796658-8
.160	4DB-P108-26	8.515	26	5-1437667-2
.160	4DB-P108-25	8.190	25	796658-7
.160	4DB-P108-24	7.865	24	5-1437667-0
.160	4DB-P108-23	7.540	23	796658-6
.160	4DB-P108-22	7.215	22	4-1437667-8
.160	4DB-P108-21	6.890	21	796658-2
.160	4DB-P108-20	6.565	20	4-1437667-6
.160	4DB-P108-19	6.240	19	4-1437667-5
DIM B	CATALOG NUMBER	DIM A	NO OF POSN	PART NUMBER

THIS DRAWING IS A CONTROLLED DOCUMENT.		DWN S WELDON 01MAY2003	 TE Connectivity	
DIMENSIONS: INCHES 		CHK S YODER 5/1/03		
TOLERANCES UNLESS OTHERWISE SPECIFIED: 0 PLC ± - 1 PLC ± - 2 PLC ± .01 3 PLC ± .005 4 PLC ± - ANGLES ± 1°		APVD S YODER 5/1/03	NAME ASSEMBLY, DUAL BARRIER 4DB-P108-XX	
MATERIAL -		FINISH -	PRODUCT SPEC -	APPLICATION SPEC -
		WEIGHT -	SIZE A3	CAGE CODE 00779
CUSTOMER DRAWING			DRAWING NO C-2-1437667-4	RESTRICTED TO -
			SCALE NTS	SHEET 2 OF 2
			REV N3	