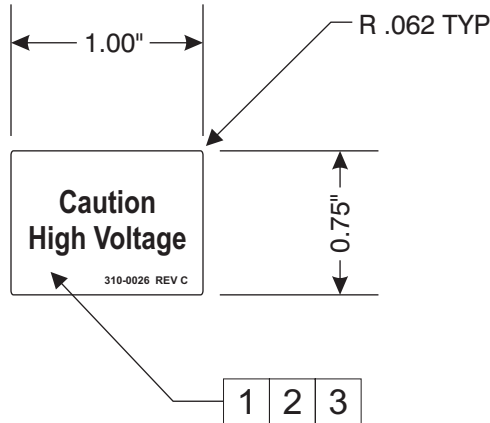


REV. C	APPLICATION		REVISIONS				
	NEXT ASSY	USED ON	REV	DESCRIPTION	ECO#	APPROVED	DATE
SH 1 310-0026			SP	PRODUCTION RELEASE	3347	J.J.	2/6/92
			SB	DWG CHG	3698	E.E.	11/23/92
			C	REDRAWN ON COREL, ADD P/N TO LABEL	7247		7/99



NOTES: UNLESS OTHERWISE SPECIFIED

- 1 MATERIAL: 3M 7852 MYLAR WITH PERM ADHESIVE (2MIL)
- 2 LAMINATE: 1 MIL CLEAR MYLAR
- 3 PMS 805 RED FLOURESCENT WITH BLACK LETTERING
4. TOLERANCE FOR ALL DIMENSIONS +/- .03

UNLESS OTHERWISE SPECIFIED DIMENSIONS ARE IN INCHES		CONTRACT NO.		<h1>Continuum</h1>			
MATERIAL		APPROVALS	DATE				
1		DRAWN H. MOSHIRI	7/99	<b>LABEL, CAUTION HIGH VOLTAGE, 1 x .75 INCH</b>			
		CHECKED					
FINISH		ISSUED		SIZE A	FSCM NO.	DWG. NO. <b>310-0026</b>	REV C
DO NOT SCALE DRAWING			SCALE 1/1		SHEET 1 OF 2		

REV. C	APPLICATION		REVISIONS				
	NEXT ASSY	USED ON	REV	DESCRIPTION	ECO#	APPROVED	DATE
SH 2				SEE SHEET 1			

DWG. NO. 310-0026

+                      +  
**Caution**  
**High Voltage**  
310-0026 REV C  
+                      +

ARTWORK

UNLESS OTHERWISE SPECIFIED DIMENSIONS ARE IN INCHES		CONTRACT NO.		<h1>Continuum</h1>			
MATERIAL		APPROVALS	DATE				
1		DRAWN H. MOSHIRI	7/99	<b>310-0026</b>			
		CHECKED					
FINISH		ISSUED		SIZE A	FSCM NO.	DWG. NO.	REV C
DO NOT SCALE DRAWING			SCALE 1/1			SHEET 2 OF 2	