

NOTES:

1) MATERIAL:

- \*"BLANK" = NYLON 6/6, 94V-2, COLOR: NATURAL.
- \*"BL" = NYLON 6/6, 94V-2, COLOR: BLACK.
- \*"RE" = NYLON 6/6, 94V-2, COLOR: RED.
- \*"YE" = NYLON 6/6, 94V-2, COLOR: YELLOW
- \*"210" = NYLON 6/6, 94V-0, COLOR: NATURAL.
- \*"225" = NYLON 6, UL94V-0, COLOR: BLACK, IEC 60335-1, 4th EDITION GLOW WIRE CAPABLE.
- \*"400" = NYLON 6/6, 94V-0, COLOR: BLACK.

2) FINISH: NOT APPLICABLE

3) PRODUCT SPECIFICATION: PS-5556-001

4) PACKAGING: BULK

5) PART MATES WITH MOLEX PLUG #5559 AND HEADERS #5566, #5569.

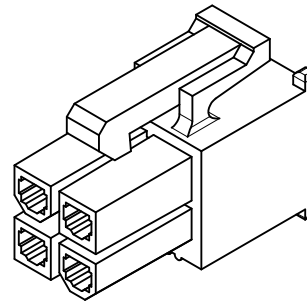
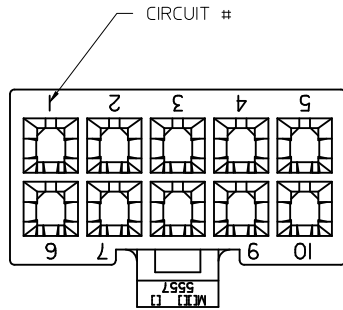
6) PART TO BE USED WITH MOLEX FEMALE TERMINAL #5556.

7) PART IS NOT DESIGNED FOR CURRENT SHARING.

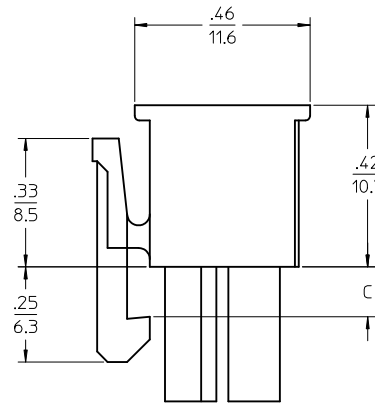
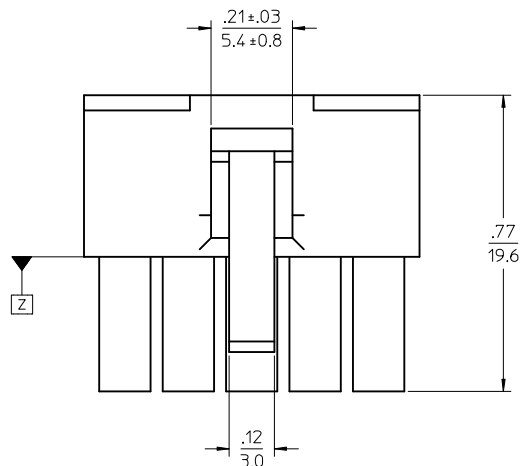
8) CONNECTORS ARE NOT TO BE MATED OR UNMATED WHILE CIRCUITS ARE LIVE.

9) WIRES ARE TO BE DRESSED IN SUCH A MANNER TO ALLOW THE TERMINALS TO FLOAT FREELY IN THE POCKET.

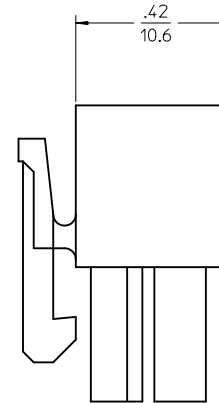
10) PART CONFORMS TO CLASS "B" REQUIREMENTS OF COSMETIC SPECIFICATION PS-45499-002 WITH THE EXCEPTION OF DISCOLORATION, FLASH AND SINK MEET CLASS "C" REQUIREMENTS. TO BE MEASURED AT SURFACE



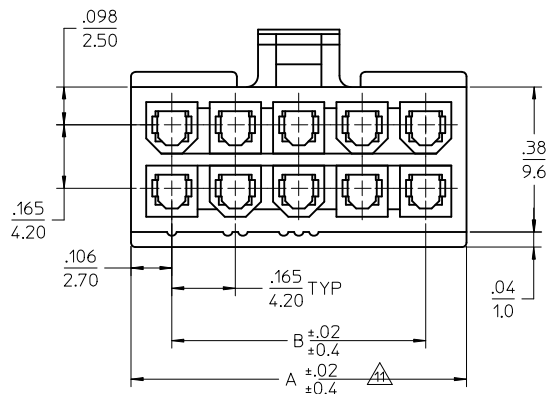
4 CKT SHOWN



4-24 CKT



2 CKT ONLY



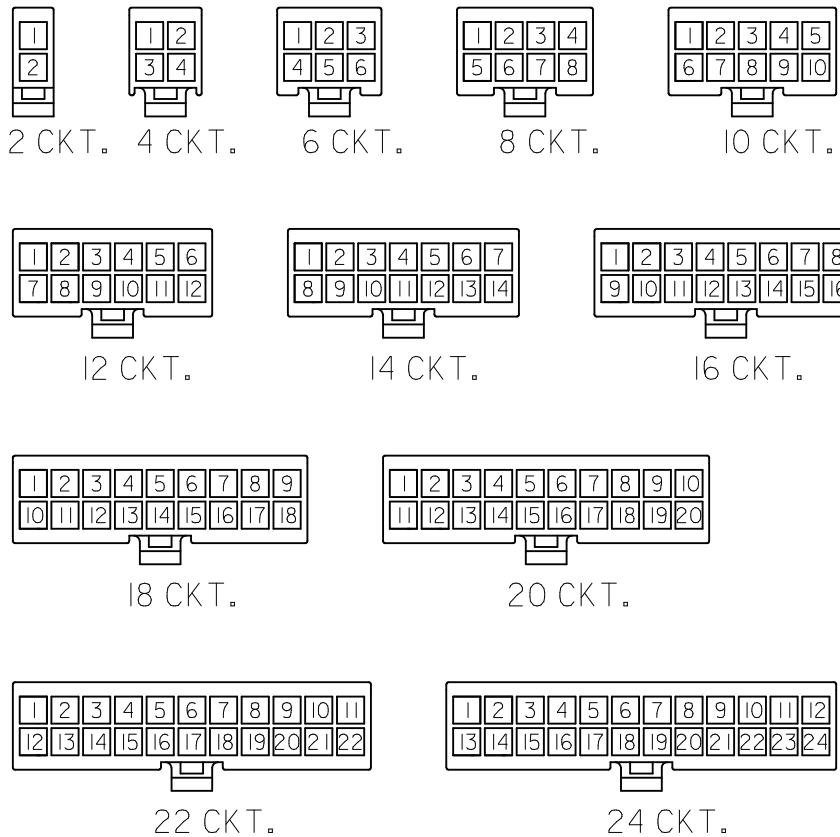
2.031/(51.60)	1.819/(46.20)		24
1.866/(47.40)	1.654/(42.00)	.142/	22
1.701/(43.20)	1.488/(37.80)	(3.60)	20
1.535/(39.00)	1.323/(33.60)		18
1.370/(34.80)	1.157/(29.40)		16
1.205/(30.60)	0.992/(25.20)		14
1.039/(26.40)	0.827/(21.00)		12
0.874/(22.20)	0.661/(16.80)	.129/	10
0.709/(18.00)	0.496/(12.60)	(3.30)	8
0.543/(13.80)	0.331/(8.40)		6
0.378/(9.60)	0.165/(4.20)		4
0.213/(5.40)			2
A	B	C	NO. OF CKTS.

REMOVE 225N IEC NO: UCP2012-1570 2011/11/15 DRAWN: NGUYEN 2011/11/15 CHKD: JBELL 2011/11/18 APPR: FSMITH	DESCRIPTION	QUALITY SYMBOLS
J8		

GENERAL TOLERANCES (UNLESS SPECIFIED)	
mm	INCH
4 PLACES ± .005	± .0005
3 PLACES ± .005	± .0010
2 PLACES ± 0.25	± .015
1 PLACE ± 0.38	± .010
ANGULAR ± 3 °	
DRAFT WHERE APPLICABLE MUST REMAIN WITHIN DIMENSIONS	

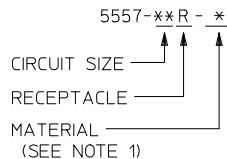
DIMENSION STYLE		SCALE	
IN/MM		4:1	
DRAWN BY	DATE	TITLE	
S. MOCHIZUKI	'90/02/22	NEW MINI FIT CONN REC. HOUSING	
CHECKED BY	DATE	MATERIAL NO.	
M. FUKUSHIMA	'97/01/08	SEE CHART	
APPROVED BY	DATE	DOCUMENT NO.	
FSMITH	2011/02/21	SD-5557-003	
SIZE		SHEET NO.	
C		1 OF 2	

DESIGN UNITS	THIRD ANGLE PROJECTION
METRIC	
MOLEX INCORPORATED	
THIS DRAWING CONTAINS INFORMATION THAT IS PROPRIETARY TO MOLEX INCORPORATED AND SHOULD NOT BE USED WITHOUT WRITTEN PERMISSION	



CIRCUIT SIZE LAYOUT  
(NOT TO SCALE)

**LEGEND**



V-0 GLOW WIRE (BLACK)		
50-36-1667	5557-24R-225	24
26-01-3167	5557-22R-225	22
* 26-01-3166	5557-20R-225	20
50-36-1668	5557-18R-225	18
50-36-1669	5557-16R-225	16
50-36-2293	5557-14R-225	14
50-36-1674	5557-12R-225	12
50-36-1671	5557-10R-225	10
50-36-1713	5557-08R-225	8
50-36-1672	5557-06R-225	6
50-30-4461	5557-04R-225	4
50-36-1673	5557-02R-225	2
<b>EDP. NO.</b>	<b>ENG. NO.</b>	<b>NO. OF CKTS.</b>

V-0 (BLACK)			V-0 (NATURAL)		
* 39-03-9242	5557-24R-400	24	39-01-2245	5557-24R-210	24
* 39-03-9222	5557-22R-400	22	39-01-2225	5557-22R-210	22
* 39-03-9202	5557-20R-400	20	39-01-2205	5557-20R-210	20
* 39-03-9182	5557-18R-400	18	39-01-2185	5557-18R-210	18
* 39-03-9162	5557-16R-400	16	39-01-2165	5557-16R-210	16
* 39-03-9142	5557-14R-400	14	39-01-2145	5557-14R-210	14
* 39-03-9122	5557-12R-400	12	39-01-2125	5557-12R-210	12
* 39-03-9102	5557-10R-400	10	39-01-2105	5557-10R-210	10
* 39-03-9082	5557-08R-400	8	39-01-2085	5557-08R-210	8
* 39-03-9062	5557-06R-400	6	39-01-2065	5557-06R-210	6
39-03-9042	5557-04R-400	4	39-01-2045	5557-04R-210	4
* 39-03-9022	5557-02R-400	2	39-01-2025	5557-02R-210	2
<b>EDP. NO.</b>	<b>ENG. NO.</b>	<b>NO. OF CKTS.</b>	<b>EDP. NO.</b>	<b>ENG. NO.</b>	<b>NO. OF CKTS.</b>

\* = CONSULT FACTORY FOR AVAILABILITY.

V-2 (YELLOW)			V-2 (RED)			V-2 (BLACK)			V-2 (NATURAL)		
		24	-	-	24	* 39-01-3245	5557-24R-BL	24	39-01-2240	5557-24R	24
		22	-	-	22	39-01-3225	5557-22R-BL	22	39-01-2220	5557-22R	22
		20	-	-	20	* 39-01-3205	5557-20R-BL	20	39-01-2200	5557-20R	20
		18	-	-	18	* 39-01-3185	5557-18R-BL	18	39-01-2180	5557-18R	18
		16	-	-	16	* 39-01-3165	5557-16R-BL	16	39-01-2160	5557-16R	16
		14	-	-	14	39-01-3145	5557-14R-BL	14	39-01-2140	5557-14R	14
		12	-	-	12	39-01-3125	5557-12R-BL	12	39-01-2120	5557-12R	12
		10	-	-	10	39-01-3105	5557-10R-BL	10	39-01-2100	5557-10R	10
		8	-	-	8	39-01-3085	5557-08R-BL	8	39-01-2080	5557-08R	8
* 39-02-8061	5557-06R-YE	6	-	-	6	39-01-3065	5557-06R-BL	6	39-01-2060	5557-06R	6
* 39-02-8041	5557-04R-YE	4	* 39-02-8040	5557-04R-RE	4	39-01-3045	5557-04R-BL	4	39-01-2040	5557-04R	4
* 39-02-8021	5557-02R-YE	2			2	39-01-3025	5557-02R-BL	2	39-01-2020	5557-02R	2
<b>EDP. NO.</b>	<b>ENG. NO.</b>	<b>NO. OF CKTS.</b>	<b>EDP. NO.</b>	<b>ENG. NO.</b>	<b>NO. OF CKTS.</b>	<b>EDP. NO.</b>	<b>ENG. NO.</b>	<b>NO. OF CKTS.</b>	<b>EDP. NO.</b>	<b>ENG. NO.</b>	<b>NO. OF CKTS.</b>

**SEE SHEET 1**  
EC NO: UCP2012-1570  
DRAWN: NGUYEN 2011/11/15  
CHKD: BELL 2011/11/15  
APPR: FSMITH 2011/11/18

**QUALITY SYMBOLS**  
▽=0  
▽=0  
▽=0

**DESCRIPTION**  
J8

**GENERAL TOLERANCES (UNLESS SPECIFIED)**

	mm	INCH
4 PLACES	± .05	± .002
3 PLACES	± .02	± .010
2 PLACES	± 0.25	± .015
1 PLACE	± 0.38	± .015

ANGULAR ± 3°

DRAFT WHERE APPLICABLE MUST REMAIN WITHIN DIMENSIONS

**DIMENSION STYLE**  
IN/MM

DRAWN BY: S. MOCHIZUKI DATE: '90/02/22

CHECKED BY: M. FUKUSHIMA DATE: '97/01/08

APPROVED BY: FSMITH DATE: 2011/02/21

**SCALE**  
METRIC

**DESIGN UNITS**  
THIRD ANGLE PROJECTION

**TITLE**  
NEW MINI FIT CONN REC. HOUSING

**MOLEX INCORPORATED**

MATERIAL NO. SEE CHART DOCUMENT NO. SD-5557-003 SHEET NO. 2 OF 2

THIS DRAWING CONTAINS INFORMATION THAT IS PROPRIETARY TO MOLEX INCORPORATED AND SHOULD NOT BE USED WITHOUT WRITTEN PERMISSION