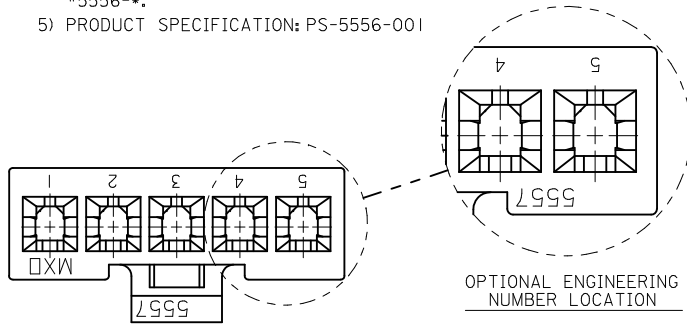


NOTES:

- 1) MATERIAL:
 BLANK: NYLON 6/6, 94V-2, COLOR: NATURAL.
 210 : NYLON 6/6, 94V-0, COLOR: NATURAL.
 400 : NYLON 6/6, 94V-0, COLOR: BLACK.
- 2) PART MATES WITH MOLEX PLUG #5559-*, VERTICAL HEADER #5566-*, AND RIGHT-ANGLE HEADER #5569-*.
- 3) PART IS DESIGNED IN METRIC.
- 4) PART IS FOR USE WITH MOLEX FEMALE TERMINAL #5556-*.
- 5) PRODUCT SPECIFICATION: PS-5556-001



CKT SIZE	DIM A
2	.378 (9.60)
4	.709 (18.00)
5	.874 (22.20)
6	1.039 (26.40)
7	1.205 (30.60)
8	1.370 (34.80)
9	1.535 (39.00)
10	1.701 (43.20)
11	1.866 (47.40)
12	2.031 (51.60)

PART NUMBER	ENG. NUMBER	CKT. SIZE	MATERIAL (SEE NOTE 1)
39-01-4020	5557-02R2	2	94V-2
39-01-4021	5557-02R2-210	2	94V-0
39-01-4040	5557-04R2	4	94V-2
39-01-4041	5557-04R2-210	4	94V-0
39-01-4050	5557-05R2	5	94V-2
39-01-4051	5557-05R2-210	5	94V-0
50-30-4447	5557-05R2-400	5	94V-0
39-01-4060	5557-06R2	6	94V-2
39-01-4061	5557-06R2-210	6	94V-0
39-01-4070	5557-07R2	7	94V-2
39-01-4071	5557-07R2-210	7	94V-0
39-01-4080	5557-08R2	8	94V-2
39-01-4081	5557-08R2-210	8	94V-0
39-01-4090	5557-09R2	9	94V-2
39-01-4091	5557-09R2-210	9	94V-0
39-01-4100	5557-10R2	10	94V-2
39-01-4101	5557-10R2-210	10	94V-0
39-01-4110	5557-11R2	11	94V-2
39-01-4111	5557-11R2-210	11	94V-0
39-01-4120	5557-12R2	12	94V-2
39-01-4121	5557-12R2-210	12	94V-0

LEGEND:

CKT. SIZE (02, 04-12) ——— 5557-** R2-***-***

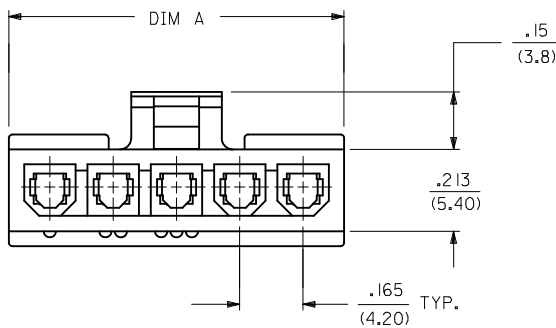
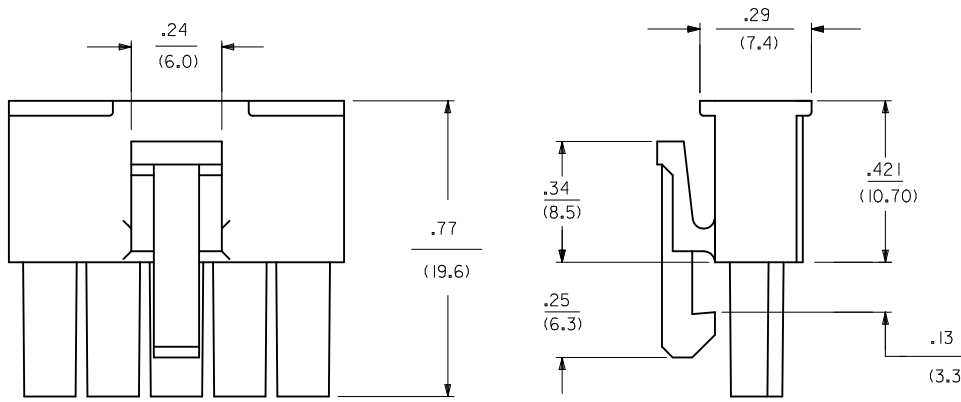
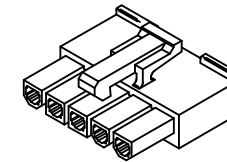
RECEPTACLE (SINGLE ROW) ———

MATERIAL OPTION: (SEE NOTE 1) ———

COLOR: ———

BLANK = NATURAL

BL = BLACK



CHG 5557-05R2-400 EC NO: UCP2011-3188 DRWN: MSTR0H 2011/04/18 CHKD: APPR: FSMITH 2011/05/18 REV J1	QUALITY SYMBOLS ∇=0 ∇=0 ∇=0	GENERAL TOLERANCES (UNLESS SPECIFIED) <table border="1"> <thead> <tr> <th></th> <th>mm</th> <th>INCH</th> </tr> </thead> <tbody> <tr> <td>4 PLACES ±</td> <td>---</td> <td>---</td> </tr> <tr> <td>3 PLACES ±</td> <td>---</td> <td>±.010</td> </tr> <tr> <td>2 PLACES ±</td> <td>.25</td> <td>±.015</td> </tr> <tr> <td>1 PLACE ±</td> <td>.38</td> <td>---</td> </tr> </tbody> </table> ANGULAR ±1/2°		mm	INCH	4 PLACES ±	---	---	3 PLACES ±	---	±.010	2 PLACES ±	.25	±.015	1 PLACE ±	.38	---	DIMENSION STYLE IN/MM	SCALE 4:1	DESIGN UNITS INCH	THIRD ANGLE PROJECTION
		mm	INCH																		
	4 PLACES ±	---	---																		
	3 PLACES ±	---	±.010																		
2 PLACES ±	.25	±.015																			
1 PLACE ±	.38	---																			
DRAWN BY KSS 2/15/89	CHECKED BY R/JF 2/15/89	APPROVED BY RAS 2/15/89	TITLE MINI-FIT JR. RECEPTACLE (SINGLE ROW)																		
DRAFT WHERE APPLICABLE MUST REMAIN WITHIN DIMENSIONS			MATERIAL NO. SEE CHART	DOCUMENT NO. SD-5557-NR2*	SHEET NO. 1 OF 1																
THIS DRAWING CONTAINS INFORMATION THAT IS PROPRIETARY TO MOLEX INCORPORATED AND SHOULD NOT BE USED WITHOUT WRITTEN PERMISSION																					