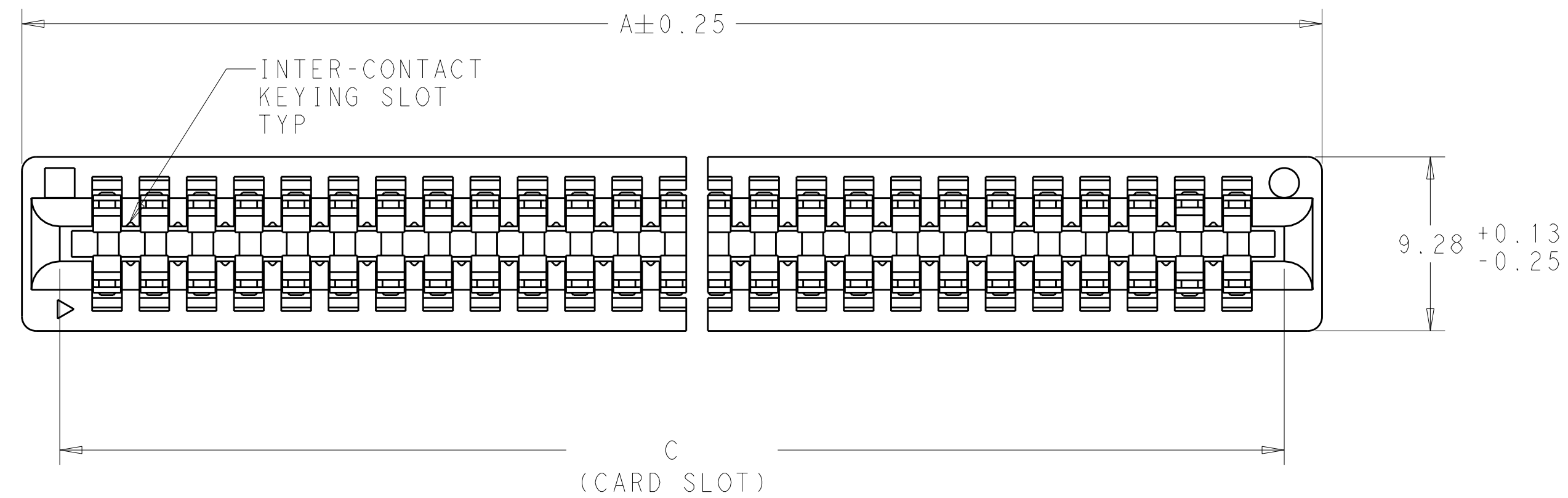
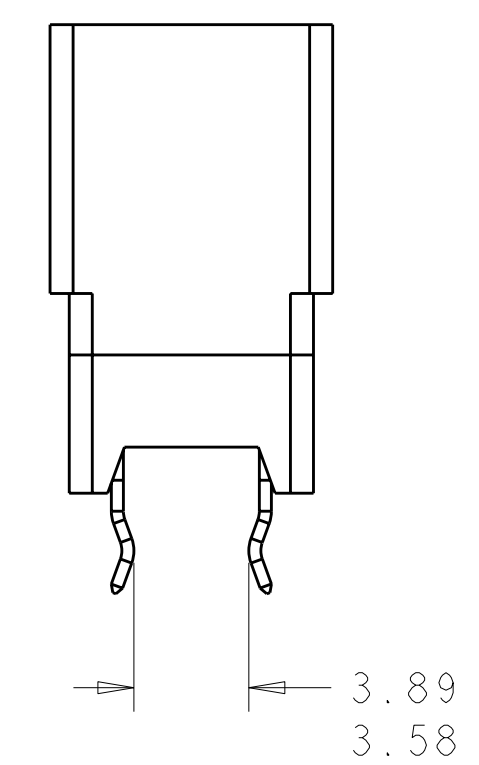
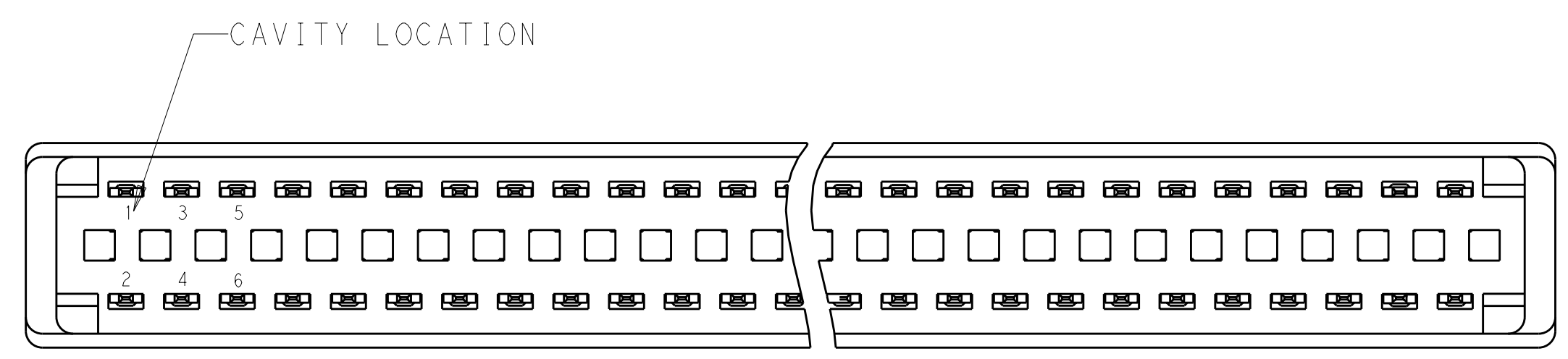
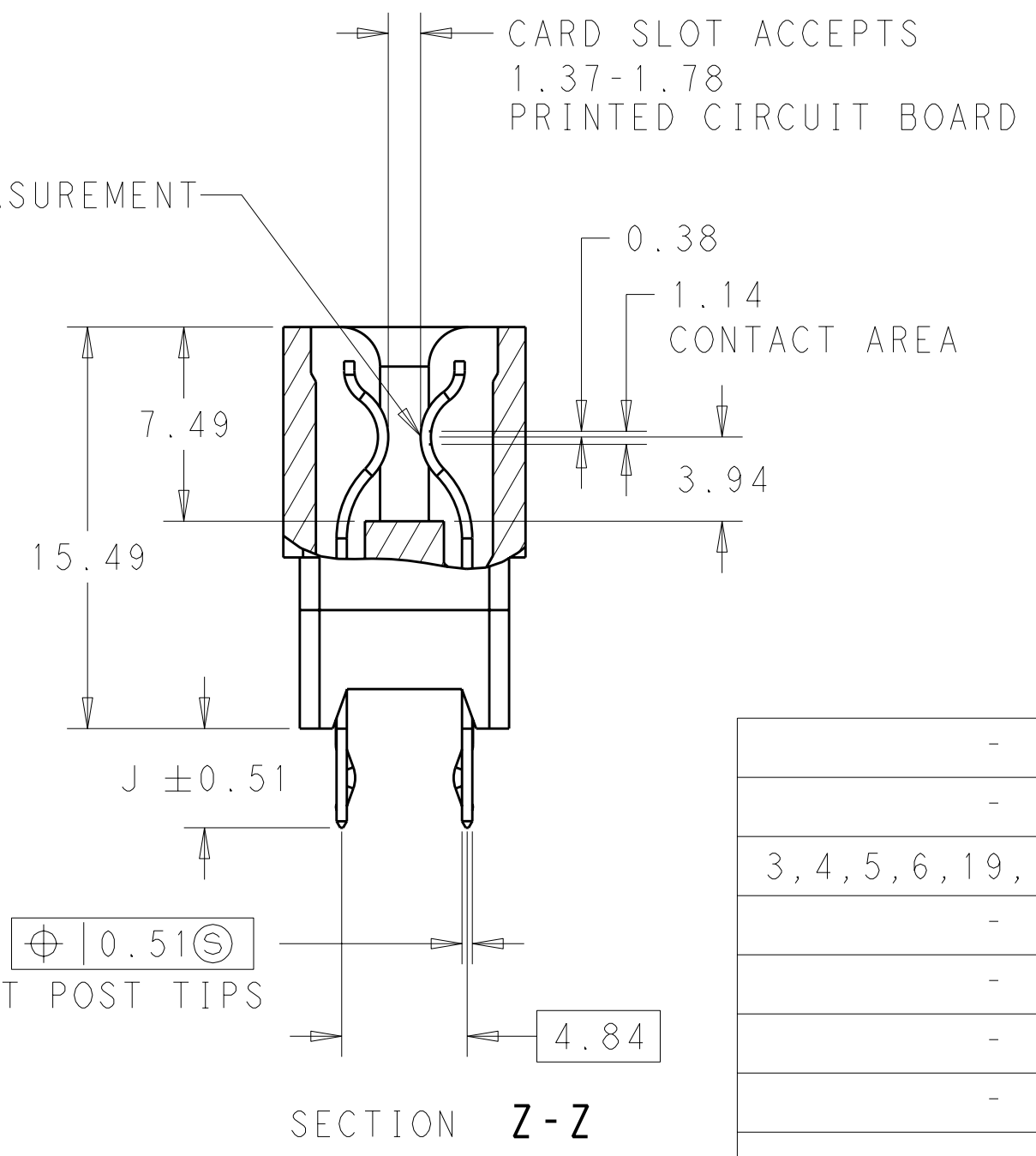
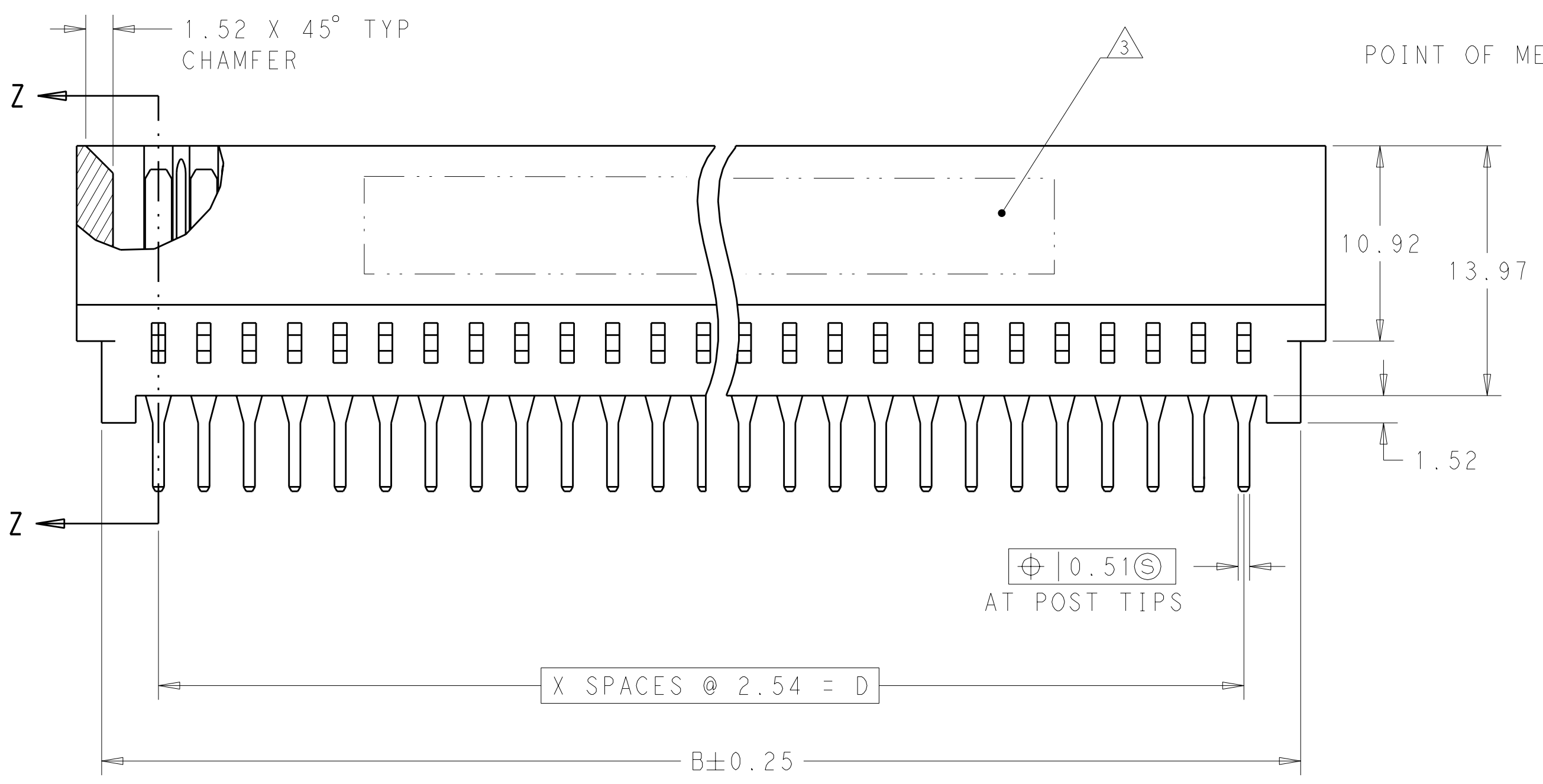


LOC	DIST	REVISIONS			
GP	00	REV	DATE	BY	APPD
		AT	REV PER ECO-09-020612	11SEP2009	RG EH
		AT2	REV PER ECO-10-006311	25MAR2010	RG EH
		AT3	REV PER ECO-10-007076	01APR2010	RG EH



- MATERIAL:
HOUSING: GLASS FILLED POLYESTER; COLOR: BLACK
CONTACT: PHOS BRONZE
 - FINISH:
(SEE TABLE FOR GOLD PLATING) IN CONTACT AREA.
0.00254 MIN TIN-LEAD ON SOLDER POSTS, ALL
OVER 0.00127 MIN NICKEL
 - AMP LOGO, TE PART NUMBER, DATE CODE AND CSA LOGO INK
STAMPED WHITE (HOT STAMPED OR LAZER PRINTED) IN THE APPROXIMATE
AREA SHOWN, EITHER SIDE PERMISSABLE, WHEN HOUSING SIZE PERMITS
 - RECOMMENDED PCB FINISHED HOLE DIAMETER = 1.02±0.08
- 5 0.00038 MIN
 6 0.00076 MIN
 7 PRELIMINARY - NOT FOR PRODUCTION

OBSOLETE	8-530843-1
OBSOLETE	4-530843-1
OBSOLETE	1-530843-9
	PART NUMBER



BOARD RETENTION FEATURE
8-530843-3 ONLY

-	6	3.18	15.24	20.32	21.59	24.38	6	7	8-530843-5
-	6	3.18	17.78	22.86	24.13	26.92	7	8	8-530843-4
3, 4, 5, 6, 19, 20, 21, 22	6	3.18	27.94	33.02	34.29	37.08	11	12	8-530843-3
-	6	4.75	5.08	10.16	11.43	14.22	2	3	8-530843-2
-	6	3.18	5.08	10.16	11.43	14.22	2	3	7-530843-7
-	6	4.75	12.70	17.78	19.05	21.84	5	6	7-530843-6
-	6	3.18	12.70	17.78	19.05	21.84	5	6	7-530843-5
-	5	3.18	76.20	81.28	82.55	85.34	30	31	7-530843-0
-	6	3.18	76.20	81.28	82.55	85.34	30	31	6-530843-5
-	6	3.18	149.86	154.94	156.21	159.00	59	60	5-530843-5
-	6	3.18	48.26	53.34	54.61	57.40	19	20	5-530843-4
-	6	3.18	40.64	45.72	46.99	49.78	16	17	5-530843-3
-	6	3.18	22.86	27.94	29.21	32.00	9	10	5-530843-0
-	6	3.18	43.18	48.26	49.53	52.32	17	18	2-530843-7
-	6	3.18	86.36	91.44	92.71	95.50	34	35	2-530843-3
-	6	4.75	124.46	129.54	130.81	133.60	49	50	2-530843-2
-	6	4.75	99.06	104.14	105.41	108.20	39	40	2-530843-0
-	6	4.75	73.66	78.74	80.01	82.80	29	30	1-530843-8
-	6	4.75	27.94	33.02	34.29	37.08	11	12	1-530843-2
-	6	3.18	106.68	111.76	113.03	115.82	42	43	1-530843-0
-	6	3.18	88.90	93.98	95.25	98.04	35	36	530843-8
-	6	3.18	73.66	78.74	80.01	82.80	29	30	530843-7
-	6	3.18	68.58	73.66	74.93	77.72	27	28	530843-6
-	6	3.18	63.50	66.04	67.31	70.10	24	25	530843-5
-	6	3.18	53.34	58.42	59.69	62.48	21	22	530843-4
-	6	3.18	43.18	48.26	49.53	52.32	17	18	530843-3
-	6	3.18	35.56	40.64	41.91	44.70	14	15	530843-2
-	6	3.18	27.94	33.02	34.29	37.08	11	12	530843-1
BOARD RETENTION FEATURE LOCATION (SEE DETAIL Y)	FINSIH	J	D	C	B	A	X	NO. OF DUAL POSITIONS	PART NUMBER

DIMENSIONS: MM		TOLERANCES UNLESS OTHERWISE SPECIFIED:		DWN: MAYER/GBZYBOWSKI CHK: HOWARD APPD: PERCHERKE 11SEP2009		Tyco Electronics Harrisburg, PA 17105-3608	
9 PLC ± 3 PLC ± 5 PLC ±0.13 4 PLC ±		ANGLES ±		PRODUCT SPEC: 108-9039 APPLICATION SPEC: 114-13018		NAME: CONNECTOR ASSEMBLY STANDARD EDGE, II 2.54 CENTERLINE	
MATERIAL: SEE NOTE 1		FINISH: SEE NOTE 2		WEIGHT: -		SIZE: A100779 C=530843	
CUSTOMER DRAWING				SCALE: 4:1		SHEET 1 OF 1 REV AT3	