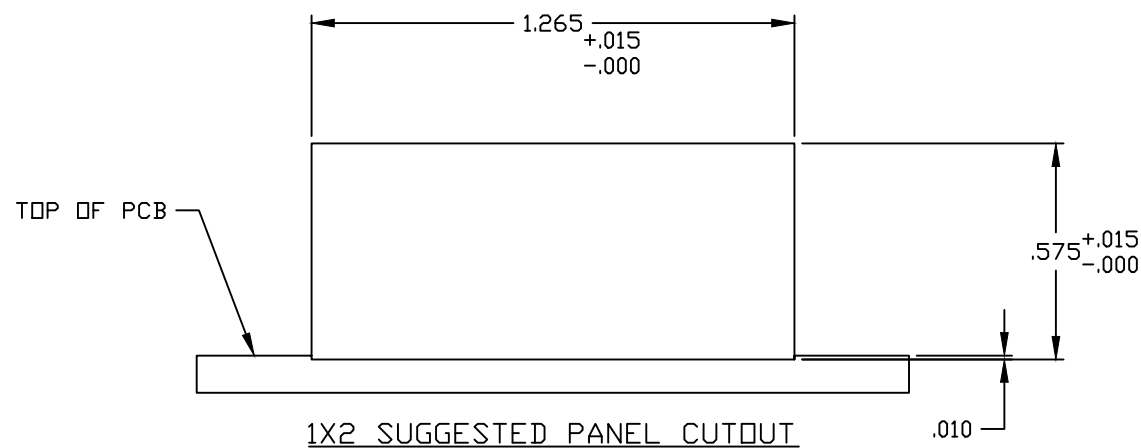
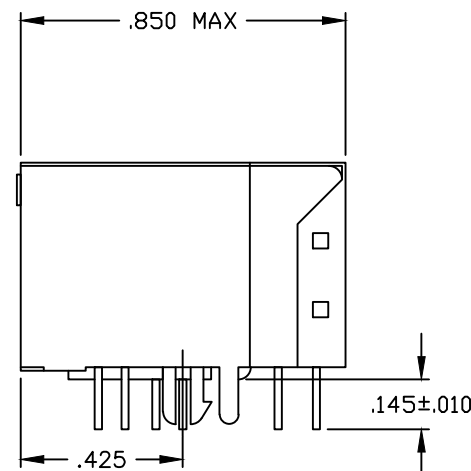
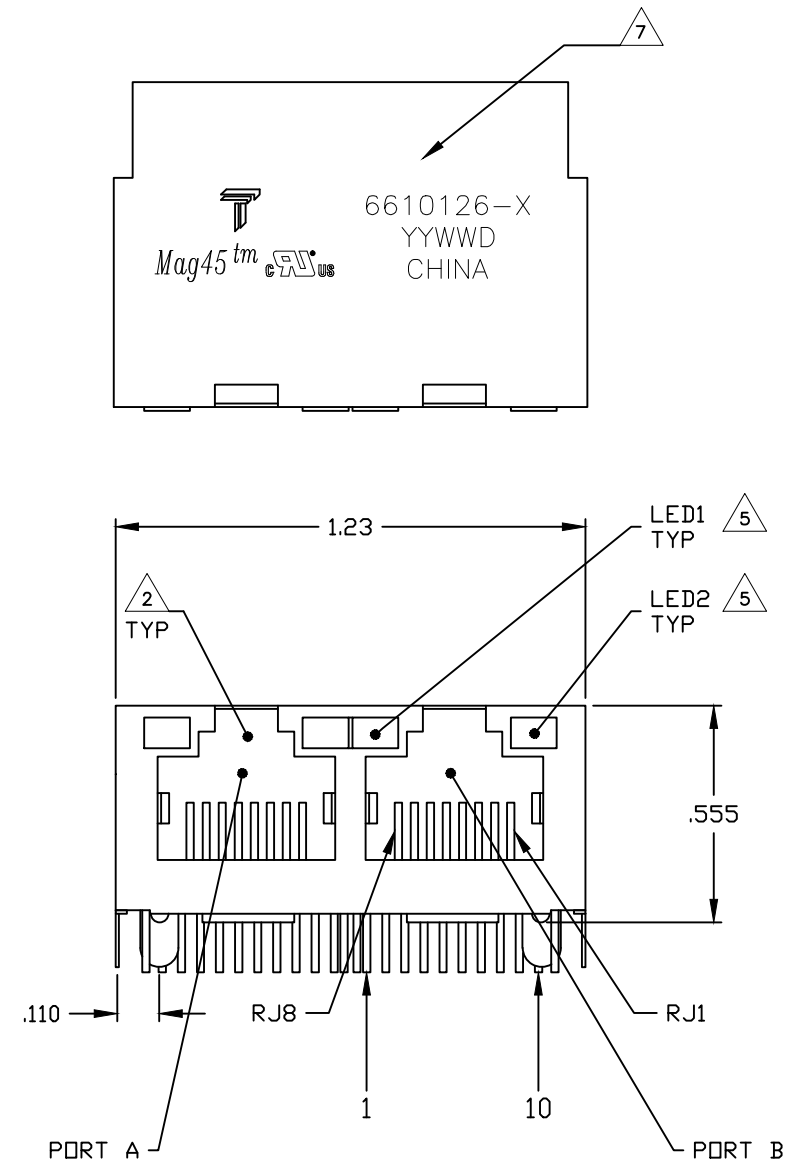


REVISIONS				
#	LNK	DESCRIPTION	DATE	APP'D
D		LOGO CHANGE	07APR2013	QL KZ

MECHANICAL:



- 1 MATERIALS:
  - HOUSING - THERMOPLASTIC PET POLYESTER FLAMMABILITY RATING UL 94V-0.
  - SHIELD - .010" THICK, C26800 BRASS PREPLATED WITH 30μINCH MIN SEMI-BRIGHT NICKEL. SOLDER TABS POST DIPPED WITH 100μINCH MIN SAC SOLDER.
  - MOD JACK CONTACTS - 0.0157 X 0.018" PHOSPHOR BRONZE, 50μINCH MIN OVERALL NICKEL UNDERPLATE WITH SELECT 50μINCH MIN HARD GOLD FINISH PLATE. SOLDERTAILS WITH 100μINCH MIN MATTE TIN AND/OR SAC SOLDER DIP.
  - LIGHT EMITTING DIODE(LED) - DIFFUSED EPOXY LENS, .020" X .020" CARBON STEEL WIREFRAME LEADS PRE-PLATED WITH 80μINCH SILVER OVER 40μINCH NICKEL UNDERPLATE OVER 40μINCH COPPER UNDERPLATE. POST-PLATED WITH 100μIN MIN MATTE TIN AND/OR SAC SOLDER DIP OR PURE TIN SOLDER DIP.
- 2 RJ45 JACK CAVITY CONFORMS TO FCC RULES AND REGULATIONS PART 68, SUB PART F.
- 3 MAGNETICS
  - IMPEDANCE: 100 OHMS
  - TURNS RATIO (CHIP:CABLE): 1:1 ALL FOUR PAIRS
  - OPEN CIRCUIT INDUCTANCE (OCL): 350mH MIN @100kHz, 0.1VRMS, 8mADC BIAS FROM 0°C TO 70°C, ALL FOUR PAIRS
  - ALL FOUR PAIRS BI-DIRECTIONAL
  - PERFORMANCE @ 25°C:
    - INSERTION LOSS (IL): 1.1dB MAX FROM 0.5MHZ TO 100MHZ
    - RETURN LOSS (RL): 18dB MIN FROM 0.5MHZ TO 4.0MHZ
    - 12-20LOG(f/80)dB MIN FROM 4.0.1MHZ TO 100MHZ
    - CROSSTALK ATTENUATION: 35dB MIN FROM 0.5MHZ TO 40MHZ
    - 33-20×LOG(f/50)dB MIN FROM 4.0.1MHZ TO 100MHZ
    - COMMON MODE REJECTION RATIO (CMRR): 30dB MIN FROM 0.5MHZ TO 100MHZ
  - ISOLATION VOLTAGE: 2250VDC (MAX) FOR 60 SECONDS WITH A RISE TIME OF 500V/SEC AND WITH ALL PORTS CONNECTED.
4. OPERATING TEMPERATURE FROM 0°C TO +70°C.
- 5 THE LED WITH 250 OHM RESISTORS,LED IS DRIVEN WITH 5V VOLTAGE AND THE MAX OPERATING CURRENT IS 20mA. LED COLOR:
  - DOMINANT WAVELENGTH(λD): GREEN 568nm TYP. @ VF=5V
  - FORWARD CURRENT (IF): GREEN 12 mA TYP. @ VF=5V
  - DOMINANT WAVELENGTH (λD): YELLOW 588 nm TYP. @ VF=5V
  - FORWARD CURRENT (IF): YELLOW 13 mA TYP. @ VF=5V
- 6 THE MAGNETICS ARE SYMMETRICAL AND SUPPORT AUTO-MDI/MDIX.
- 7 TRP CONNECTOR LOGO, PART NUMBER, DATE CODE, COUNTRY OF ORIGIN AND AGENCY APPROVAL MARKING IN APPROXIMATE LOCATION SHOWN.
8. THE PART IS RECOMMENDED FOR WAVE SOLDERING PROCESS,PEAK WAVE SOLDERING TEMPERATURE IS 265°C MAX,10 SECONDS MAX.

YES	YELLOW	GREEN	5-6610126-2
2KV DECOUPLING CAPACITOR	LED1	LED2	PART NUMBER

THIS DRAWING IS A CONTROLLED DOCUMENT.

DIMENSIONS:		TOLERANCES UNLESS OTHERWISE SPECIFIED:	
INCHES			
0 PLC	± .		
1 PLC	± .		
2 PLC	± .010		
3 PLC	± .005		
4 PLC	± .		
ANGLES	± .		

DWG	A. FERNANDEZ-DOCKS	17MAR2005
CHK	D. FAROLE	17MAR2005
APP'D	D. FAROLE	17MAR2005

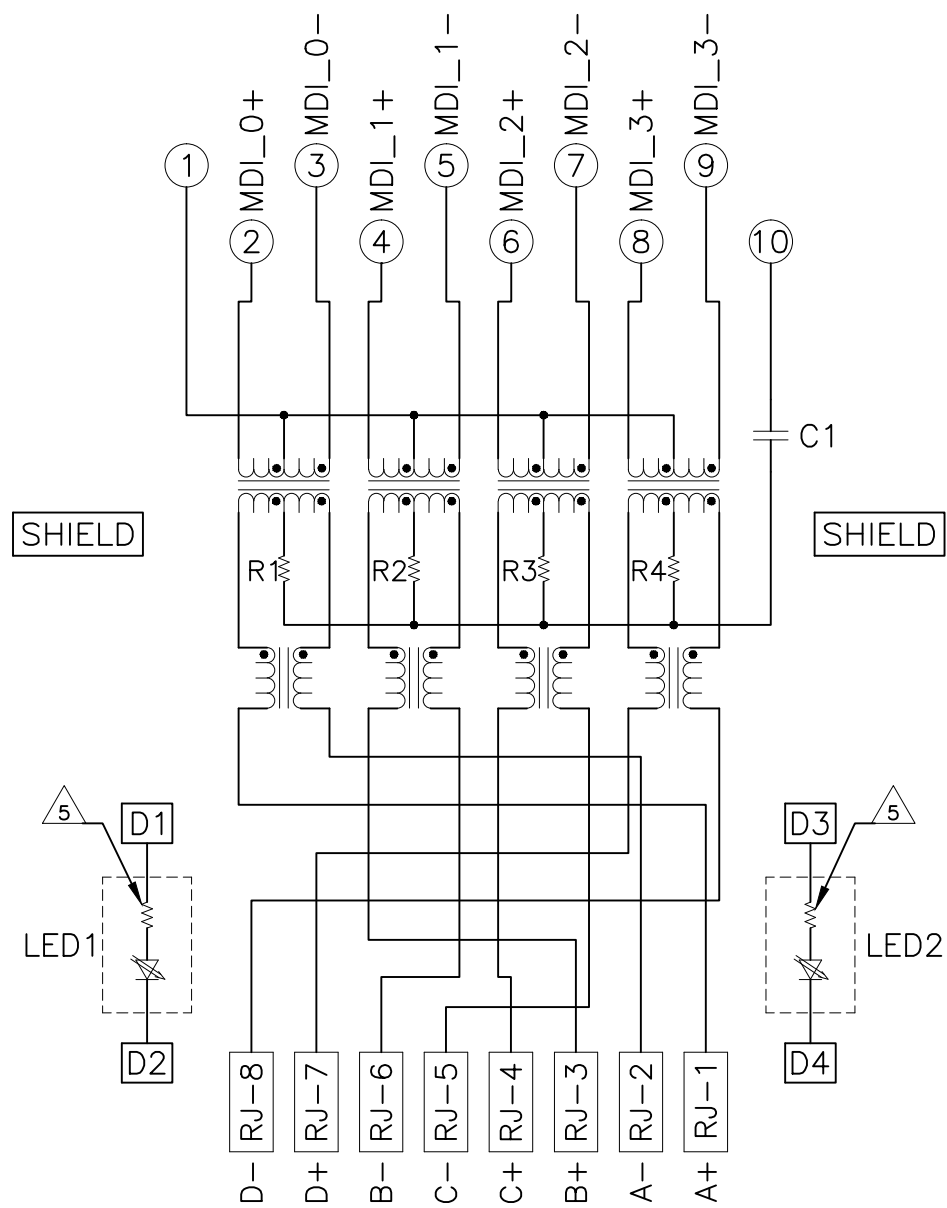
PRODUCT SPEC	108-2100
APPLICATION SPEC	
SIZE	A1
DATE CODE	00779
DRAWING NO	C-6610126
RESTRICTED TO	

TRP connector  
Dongguan China

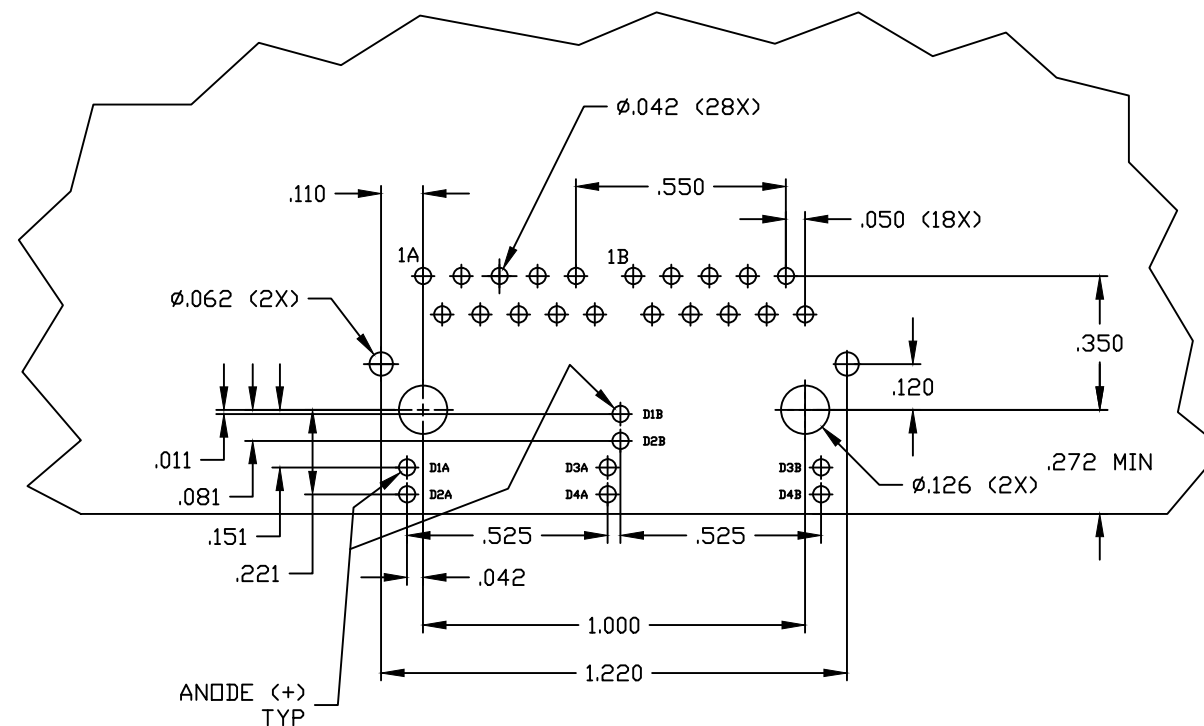
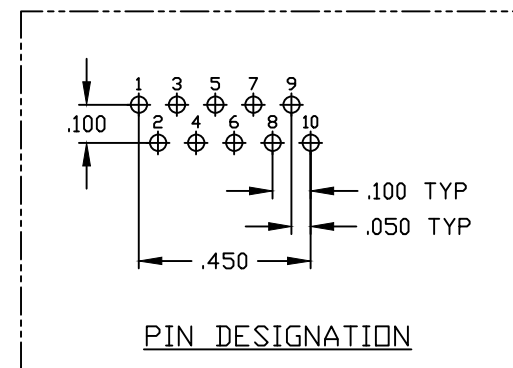
MAG45(TM) MODULAR JACK, 7G1 GIG SCHEMATIC, 01P1 SERIES CIRCUIT (10 PIN HORIZONTAL), SHIELDED, WITH RESISTOR LEADS, NO TABS

CUSTOMER DRAWING SCALE 4:1 SHEET 1 OF 2 REV D

### 7G01P1 SERIES GIGABIT CIRCUIT



C1 = 1000 pF, 2kV CAPACITOR  
 R1-R4 = 75 OHMS, 1/16 W RESISTORS



SUGGESTED PCB LAYOUT  
 (Component Side)

THIS DRAWING IS A CONTROLLED DOCUMENT.		DRN A. FERNANDEZ-DOCKS 17MAR2005	TRP connector Dongguan China
DIMENSIONS: INCHES		CHK D. FAROLE 17MAR2005	APPRO D. FAROLE 17MAR2005
TOLERANCES UNLESS OTHERWISE SPECIFIED:		PRODUCT SPEC 108-2100	APPLIC. SPEC
0 PLC	± .005	SIZE	A1
1 PLC	± .010	CAGE CODE	00779
2 PLC	± .015	DRAWING NO	C-6610126
3 PLC	± .020	RESTRICTED TO	
4 PLC	± .030	SCALE	4:1
ANGLES	± .005	SHEET	2 OF 2
MATERIAL	1	WEIGHT	
FINISH	1	REV	D
CUSTOMER DRAWING			