

NO.	NAME	QTY	MATERIAL
①	ハウジング HOUSING	1	耐熱樹脂 ,UL94V-0 色:黒 HEAT RESISTANCE POLYMER ,UL94V-0,BLACK
②	スライダーカム SLIDER CAM	1	耐熱樹脂 ,UL94V-0 色:黒 HEAT RESISTANCE POLYMER ,UL94V-0,BLACK
③	ターミナル TERMINAL	9	銅合金 , 接点部:金メッキ COPPER ALLOY ,SELECTIVE Au PLATING
④	メタルカバー METAL COVER	1	ステンレス鋼 STAINLESS STEEL
⑤	ピン PIN	1	ステンレス鋼 STAINLESS STEEL
⑥	スプリング SPRING	2	ピアノ線 SWP
⑦	プロテクトターミナル PROTECT TERMINAL	1	銅合金 , 接点部:金メッキ COPPER ALLOY ,SELECTIVE Au PLATING
⑧	プロテクト& ディテクトターミナル PROTECT TERMINAL AND DETECT TERMINAL	1	銅合金 , 接点部:金メッキ COPPER ALLOY ,SELECTIVE Au PLATING
⑨	ディテクトターミナル DETECT TERMINAL	1	銅合金 , 接点部:金メッキ COPPER ALLOY ,SELECTIVE Au PLATING
⑩	ネール NAIL	2	銅合金 , 錫メッキ COPPER ALLOY ,TIN PLATING

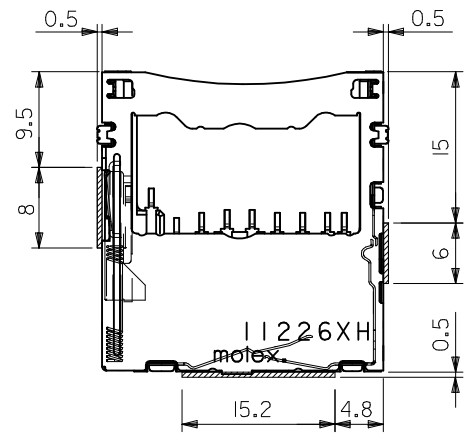
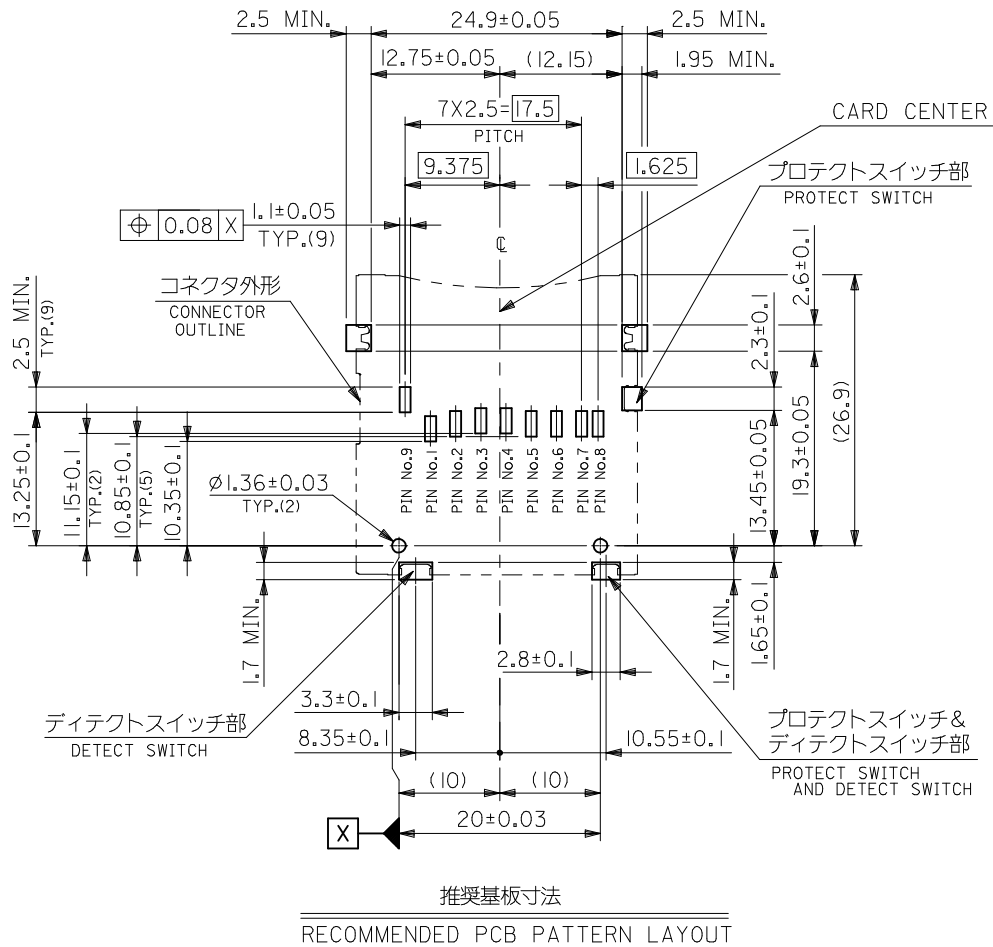
NOTES

- ターミナル及びネール平坦度は 0.1 MAX.
TERMINAL AND NAIL COPLANARITY TO BE 0.1 MAX.
- 各スイッチのオープン/クローズ
OPENING/CLOSE OF EACH SWITCH
- 納入時、プッシュプッシュ機構はアンロック状態。(カード飛び出し位置)
WHEN DELIVERING, THE PUSH/PUSH MECHANISM IS IN THE STATE OF THE UNLOCK. (CARD DASHING OUT POSITION)

	プロテクトターミナル PROTECT TERMINAL		ディテクトターミナル DETECT TERMINAL
	カード書き込み 禁止状態 WRITE PROTECT POSITION	カード書き込み 可能状態 WRITE ENABLE POSITION	
カード未装着状態 CARD UNINSERTION	オープン OPEN	オープン OPEN	オープン OPEN
カード装着過程 CARD HALF INSERTION	クローズ CLOSE	クローズ CLOSE	オープン OPEN
カード装着 CARD INSERTION	オープン OPEN	クローズ CLOSE	クローズ CLOSE

500998-0900 500998-0909
エンボス梱包品 製品番号 (トレイ梱包品)
EMBOSSED TAPE PACKAGE MATERIAL NO. (TRAY PACKAGE)
MODEL NO.: 500998-****

REVISED EC NO: J2007-1866 DRWN: MABEL 2007/01/17 CHKD: XTOYODA 2007/01/25 APPR: NUKITA 2007/01/25	GENERAL TOLERANCES (UNLESS SPECIFIED)		DIMENSION STYLE MM ONLY	SCALE 2:1	DESIGN UNITS METRIC	THIRD ANGLE PROJECTION
	10 UNDER	±0.2	DRAWN BY YSUGIURA	DATE 2004/12/07	TITLE SD CARD CONN. ASS'Y (NOMAL TYPE) -LEAD FREE-	
	10 OVER 30 UNDER	±0.25	CHECKED BY MTANAKA	DATE 2004/12/07	APPROVED BY DATE 2004/12/07	
	30 OVER	±0.3	APPROVED BY NUKITA	DATE 2004/12/07	MATERIAL NO. SEE CHART	
	ANGULAR ±3 °	DRAFT WHERE APPLICABLE MUST REMAIN WITHIN DIMENSIONS	DOCUMENT NO. SD-500998-001		SHEET NO. 1 OF 2	
			THIS DRAWING CONTAINS INFORMATION THAT IS PROPRIETARY TO MOLEX INCORPORATED AND SHOULD NOT BE USED WITHOUT WRITTEN PERMISSION			



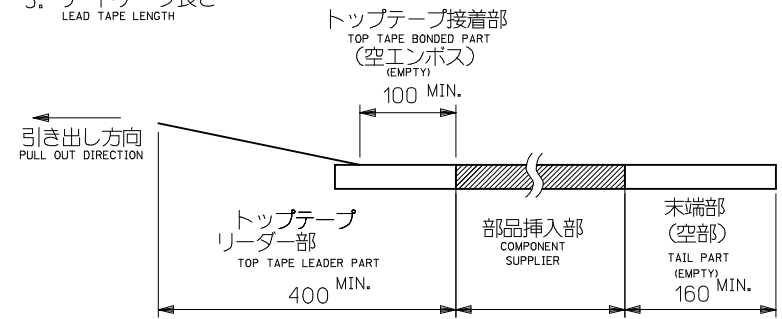
部品実装禁止エリア
AREA OF PARTS MOUNTING PROHIBITION

推奨基板寸法
RECOMMENDED PCB PATTERN LAYOUT

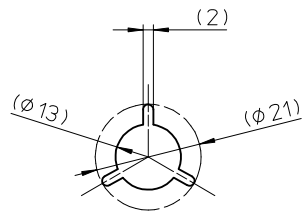
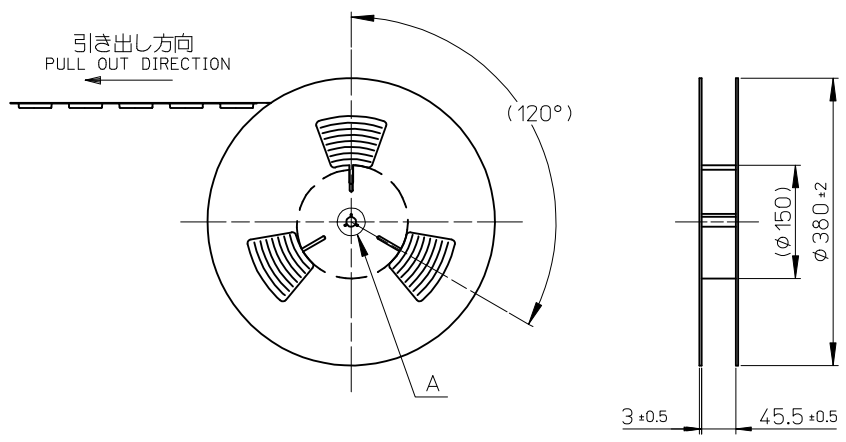
REVISED EC NO: J2007-1866 DRWN: MWABEI 2007/01/17 CHKD: KTOYODA 2007/01/25 APPR: NUKITA 2007/01/25 REV: C	GENERAL TOLERANCES (UNLESS SPECIFIED)		DIMENSION STYLE MM ONLY	SCALE 2:1	DESIGN UNITS METRIC	THIRD ANGLE PROJECTION	
	10 UNDER	±0.2	DRAWN BY YSUGIURA	DATE 2004/12/07	TITLE SD CARD CONN. ASS'Y (NOMAL TYPE) - LEAD FREE -		
	10 OVER 30 UNDER	±0.25	CHECKED BY MTANAKA	DATE 2004/12/07	MOLEX INCORPORATED		
	30 OVER	±0.3	APPROVED BY NUKITA	DATE 2004/12/07	MATERIAL NO. SEE SHEET 1 OF 2	DOCUMENT NO. SD-500998-001	SHEET NO. 2 OF 2
ANGULAR ±3 °		DRAFT WHERE APPLICABLE MUST REMAIN WITHIN DIMENSIONS		THIS DRAWING CONTAINS INFORMATION THAT IS PROPRIETARY TO MOLEX INCORPORATED AND SHOULD NOT BE USED WITHOUT WRITTEN PERMISSION			

注)
NOTES

- 製品番号 500998-0909の詳細寸法については、SD図面を参照下さい。
IN THE PACKAGE, PART NO. 500998-0909 DETAILED DIMENSIONS, SEE SALES DRAWING.
- 梱包数量 : 400 個/リール
NUMBER OF CONNECTORS : 400 PCS/REEL
- リードテープ長さ
LEAD TAPE LENGTH



- 材料
MATERIAL
キャリアテープ : ポリプロピレン (PP)
CARRIER TAPE : POLYPROPYLENE (PP)
トップテープ : PET, PE, PEF
TOP TAPE : PET, PE, PEF
リール : 紙/プラスチック
REEL : CARD BOARD/PLASTIC

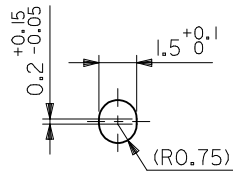


DETAIL A
SCALE 1:1

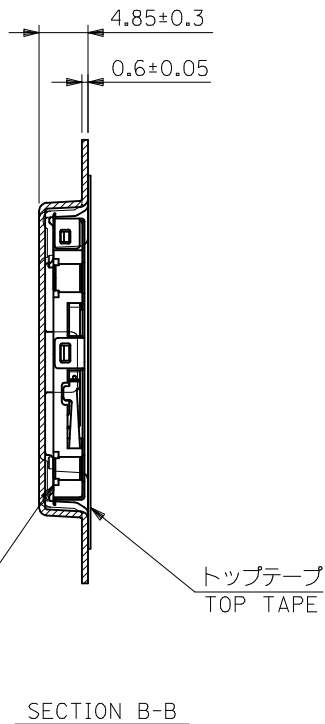
500998-0900	500998-****
MATERIAL No.	MODEL No.

REVISED EC NO.: J2006-3331 DRWN: TAKEMOTO 2006/04/25 CHKD: MTANAKA 2006/04/26 APPR: NUKITA 2006/05/01	GENERAL TOLERANCES (UNLESS SPECIFIED)	DIMENSION STYLE MM ONLY	SCALE ---	DESIGN UNITS METRIC	THIRD ANGLE PROJECTION
	10 UNDER ± 0.2	DRAWN BY YSUGIURA	DATE 2004/12/10	TITLE EMBOSS TAPE PACKAGE FOR 500998-0909 - LEAD FREE -	
	10 OVER 30 UNDER ± 0.25	CHECKED BY MTANAKA	DATE 2004/12/10	MOLEX INCORPORATED	
	30 OVER ± 0.3	APPROVED BY NUKITA	DATE 2004/12/10	MATERIAL NO. SEE CHART	DOCUMENT NO. SD-500998-007
ANGULAR ± 3 °	DRAFT WHERE APPLICABLE MUST REMAIN WITHIN DIMENSIONS	SIZE A3	THIS DRAWING CONTAINS INFORMATION THAT IS PROPRIETARY TO MOLEX INCORPORATED AND SHOULD NOT BE USED WITHOUT WRITTEN PERMISSION		

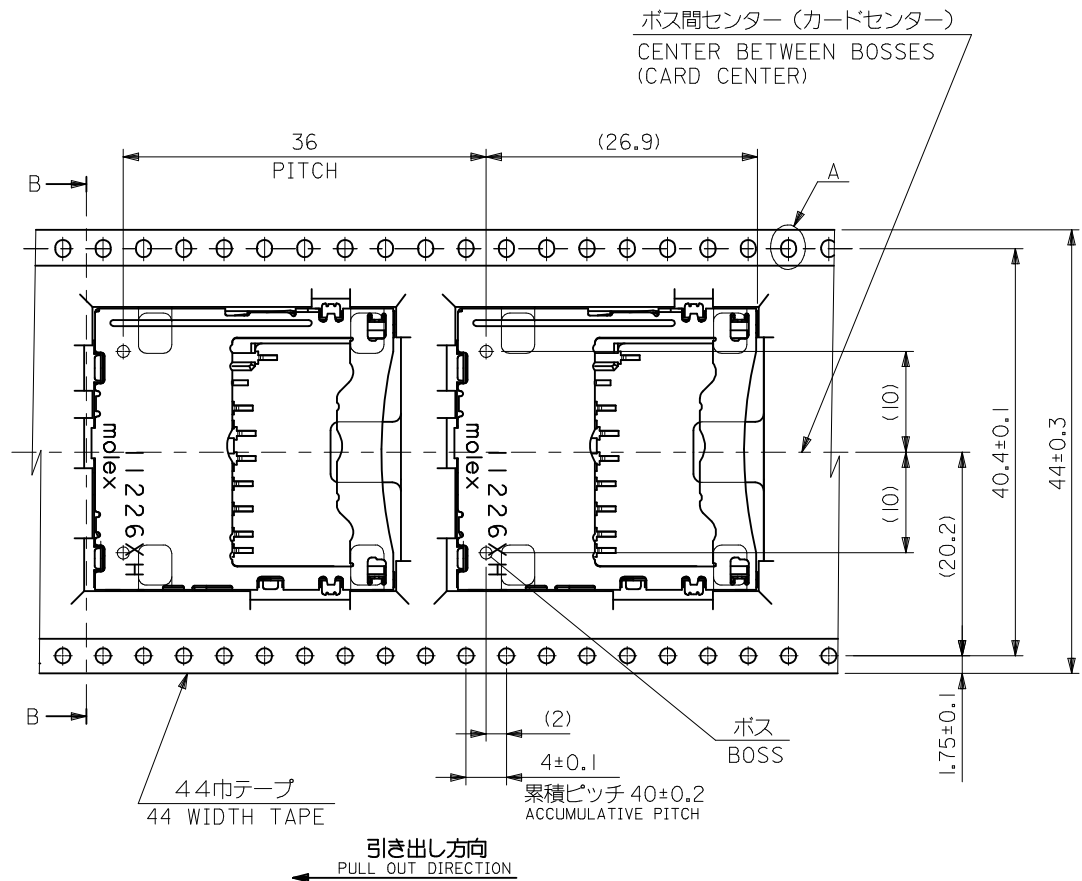
10 9 8 7 6 5 4 3 2 1



DETAIL A
(5-1)



SECTION B-B



REVISED EC NO.: J2006-3331 DRWN: TAKEMOTO 2006/04/25 CHKD: MTANAKA 2006/04/26 APPR: NUKITA 2006/05/01	GENERAL TOLERANCES (UNLESS SPECIFIED)		DIMENSION STYLE MM ONLY	SCALE ---	DESIGN UNITS METRIC	THIRD ANGLE PROJECTION
	10 UNDER	±0.2	DRAWN BY YSUGIURA	DATE 2004/12/10	TITLE EMBOSS TAPE PACKAGE FOR 500998-0909 - LEAD FREE -	
	10 OVER 30 UNDER	±0.25	CHECKED BY MTANAKA	DATE 2004/12/10	MOLEX INCORPORATED	
	30 OVER	±0.3	APPROVED BY NUKITA	DATE 2004/12/10	MATERIAL NO. SEE SHEET 1 OF 2	DOCUMENT NO. SD-500998-007
	ANGULAR ±3 °		THIS DRAWING CONTAINS INFORMATION THAT IS PROPRIETARY TO MOLEX INCORPORATED AND SHOULD NOT BE USED WITHOUT WRITTEN PERMISSION			
	DRAFT WHERE APPLICABLE MUST REMAIN WITHIN DIMENSIONS					