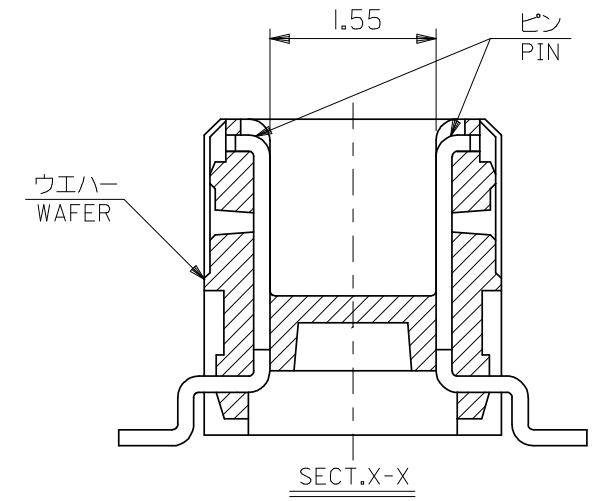


参考基板レイアウト (マウント面)  
 RECOMMENDED P.C.BOARD  
 PATTERN DIMENSION. (REF.)  
 (MOUNTING AREA)



20.64	19.6	21.55	501017-1007	100
16.63	15.6	17.55	501017-0807	80
12.64	11.6	13.55	501017-0607	60
10.64	9.6	11.55	501017-0507	50
5.42	4.4	6.35	501017-0247	24
C	B	A	MATERIAL NO.	CIRCUIT

MODEL NO. 501017-\*\*\*\*7

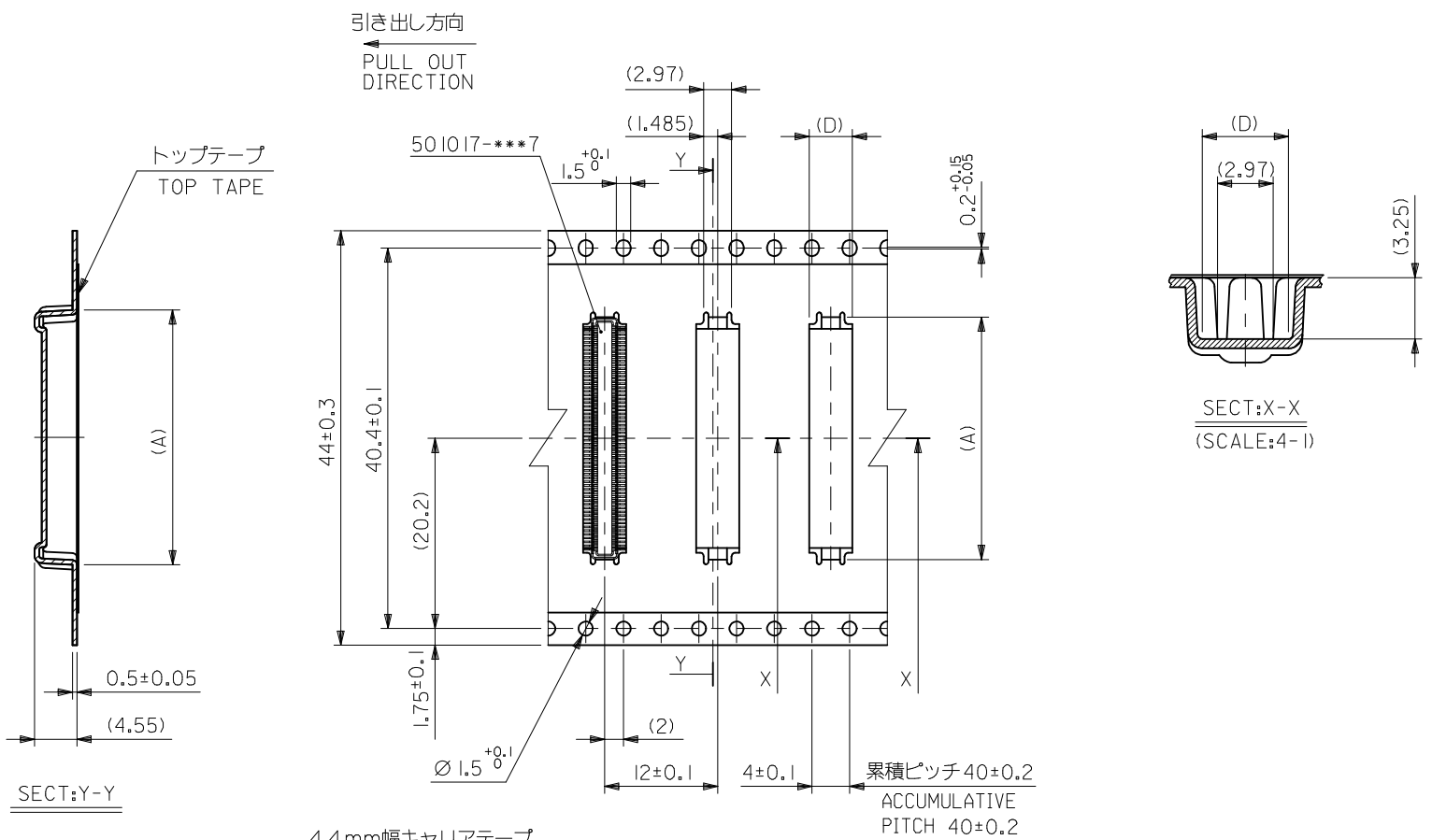
MATERIAL  
 材料  
 注記参照  
 SEE NOTES

REVISED  
 EC NO: J2008-2284  
 DRWN: YMAEDA 2007/12/04  
 CHKD: NUKITA 2007/12/06  
 APPR: NUKITA 2007/12/06

DESCRIPTION  
 GENERAL TOLERANCES (UNLESS SPECIFIED)  
 10 UNDER ±0.2  
 10 OVER 30 UNDER ±0.25  
 30 OVER ±0.3  
 ANGULAR ±--- °  
 DRAFT WHERE APPLICABLE  
 MUST REMAIN WITHIN DIMENSIONS

DIMENSION STYLE  
 MM ONLY  
 DRAWN BY DATE  
 Y. NUKANO 2004/06/05  
 CHECKED BY DATE  
 T. HIRATA 2004/06/05  
 APPROVED BY DATE  
 M. SASAO 2004/06/05

SCALE  
 ---  
 DESIGN UNITS  
 METRIC  
 THIRD ANGLE PROJECTION  
 0.4MM B-TO-B CONN  
 NO BOSS PLUG ASSY  
 (HGT=4MM)  
 MOLEX INCORPORATED  
 MATERIAL NO. DOCUMENT NO. SD-501017-001 SHEET NO. 1 OF 2  
 THIS DRAWING CONTAINS INFORMATION THAT IS PROPRIETARY TO MOLEX INCORPORATED AND SHOULD NOT BE USED WITHOUT WRITTEN PERMISSION

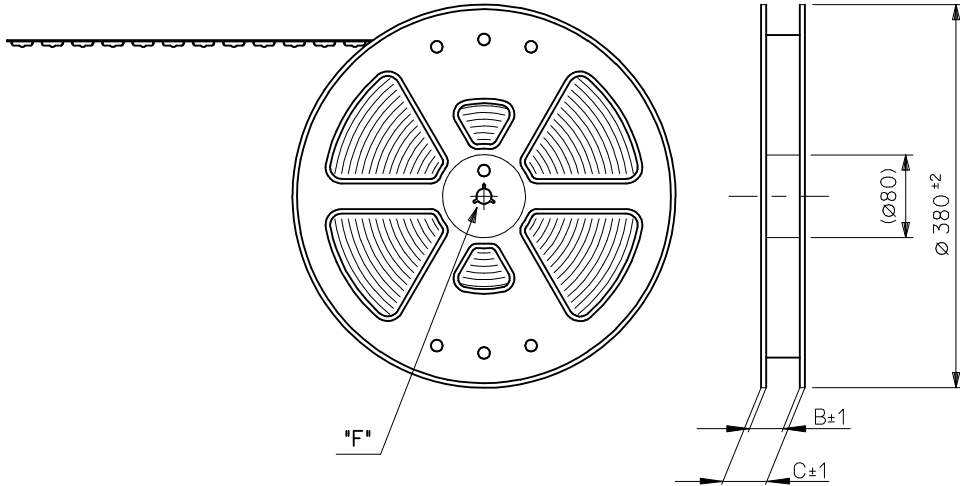


44mm幅キャリアテープ  
44mm WIDTH CARRIER TAPE

44	4.57	49.4	45.4	21.75	501017-1008	100
キャリアテープ幅 CARRIER TAPE WIDTH	(D)	C	B	(A)	MATERIAL NO.	極数 CKT.

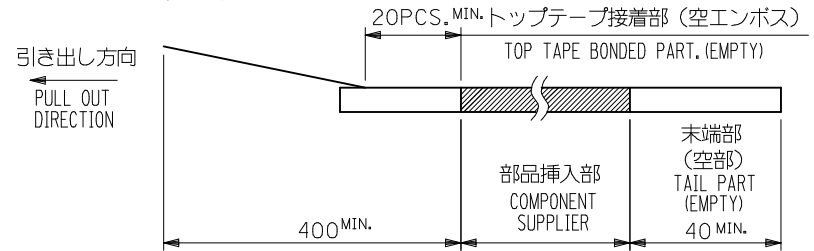
REVISED EC NO: J2014-0046 DRW:KKI INOMURA 2013/07/05 CHK:D:TASAKAWA 2013/07/05 APPR:KMORI KAWA 2013/08/05	GENERAL TOLERANCES (UNLESS SPECIFIED)		DIMENSION STYLE MM ONLY		SCALE ---	DESIGN UNITS METRIC	MODEL NO.   501017-***8
	10 UNDER	±0.2	DRAWN BY YNUKANOBU	DATE 2004/06/05	TITLE EMBOSSD TAPE PACKAGE FOR 501017-***7		
	10 OVER 30 UNDER	±0.25	CHECKED BY THIRATA	DATE 2004/06/05	MATERIAL NO.   501017-1008		
	30 OVER	±0.3	APPROVED BY MSASAO	DATE 2004/06/05	SHEET NO. 2 OF 4		
	ANGULAR ±3 °	DRAFT WHERE APPLICABLE MUST REMAIN WITHIN DIMENSIONS		SEE TABLE		DOCUMENT NO. SD-501017-002	
		THIS DRAWING CONTAINS INFORMATION THAT IS PROPRIETARY TO MOLEX INCORPORATED AND SHOULD NOT BE USED WITHOUT WRITTEN PERMISSION					

引き出し方向  
PULL OUT  
DIRECTION

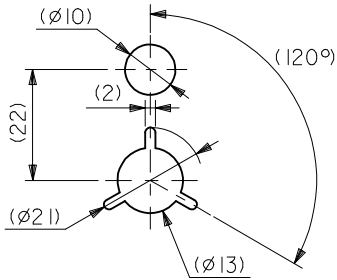


NOTES

- 製品詳細寸法については図面 SD-501017-001 を参照下さい。  
RE DETAILED DIMENSION, SEE SD-501017-001
- 梱包数量：1500個/リール  
NUMBER OF CONNECTORS : 1500PCS/REEL
- リードテープ長さ LEAD TAPE LENGTH



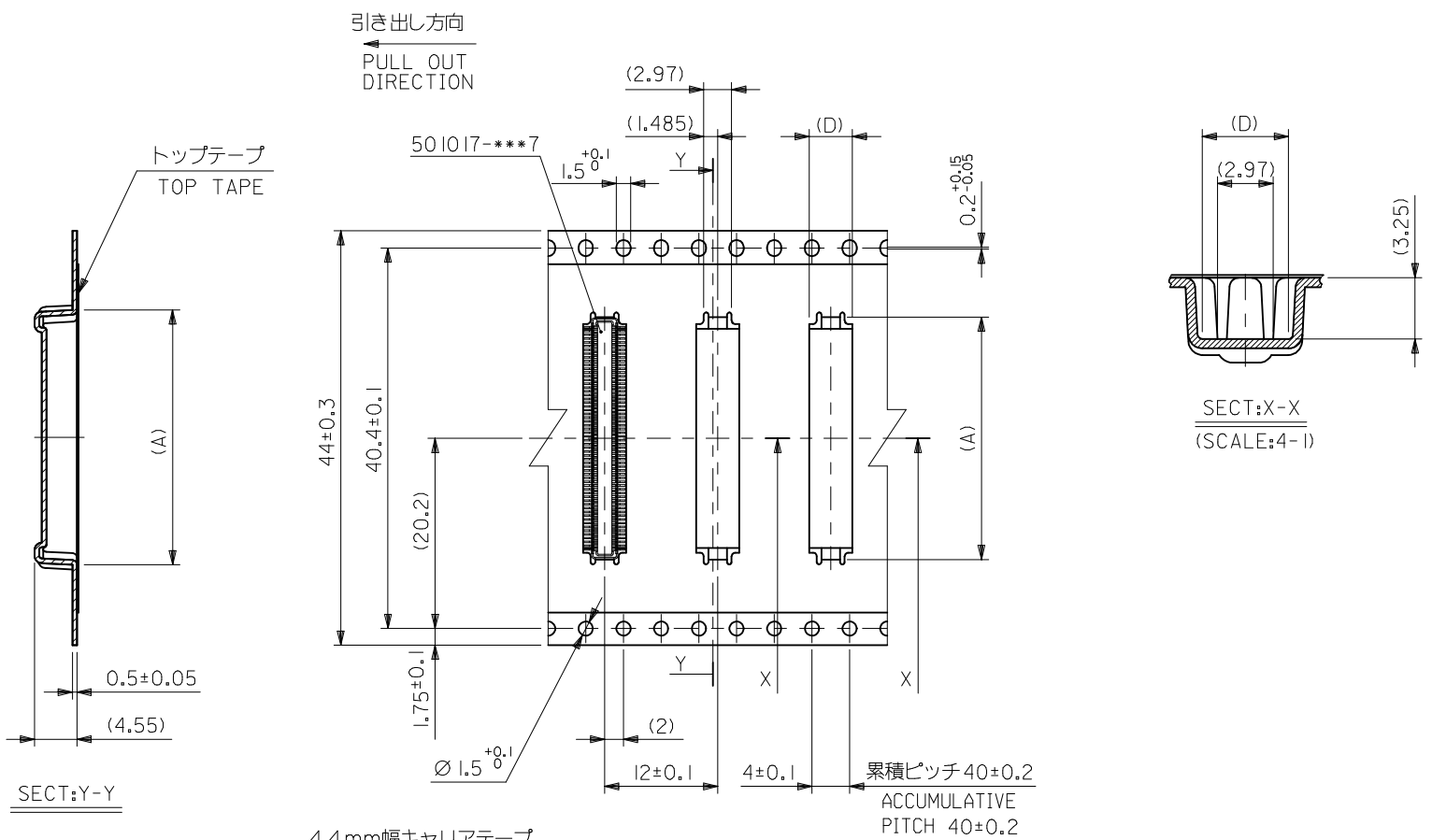
- シール位置はトップテープ両端から0.5mm以上内側にて行い、  
且つエンボスポケット面にかからない位置とする。  
SEAL POSITION IS 0.5mm OR MORE INNER SIDE FROM TOP TAPE BOTH ENDS  
AND WHICH IS NOT TAKE ON THE EMBOSSED POKET SIDE.
- 材料 (MATERIAL)  
キャリアテープ (CARRIER TAPE) : ポリプロピレン (POLYPROPYLENE)  
トップテープ (TOPTAPE) : PET, PE, PEF  
リール (REEL) : ポリスチレン (PS) <リサイクル材を含む>  
POLYSTYRENE (PS) <RECYCLE MATERIAL CONTAINED>



DETAIL 'F'

MODEL NO. 501017-\*\*\*8

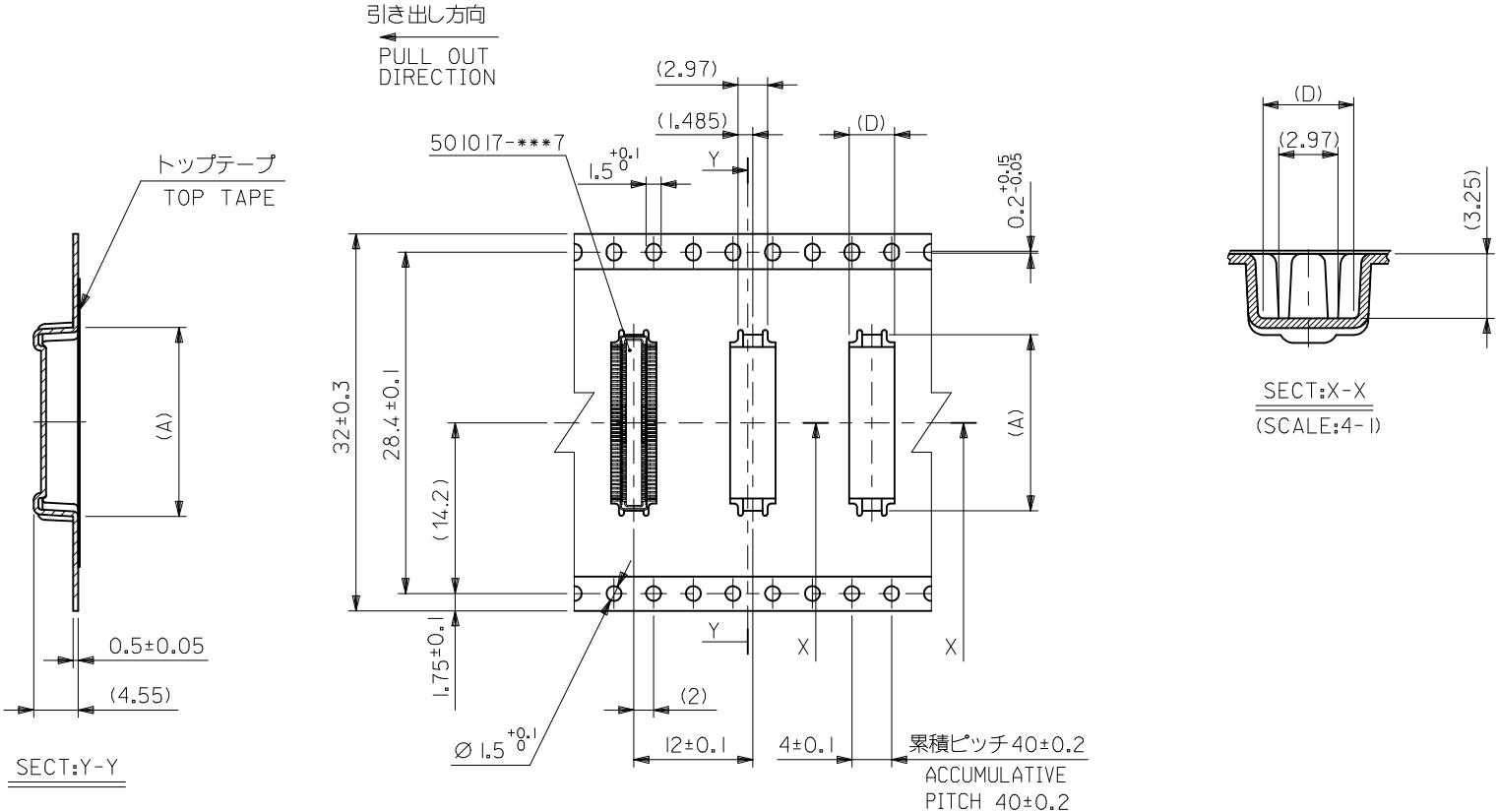
REVISED EC NO: J2014-0046 DRAWN: KINOMURA 2013/07/05 CHKD: TASAKAWA 2013/07/05 APPR: KMORIKAWA 2013/08/05	GENERAL TOLERANCES (UNLESS SPECIFIED)		DIMENSION STYLE MM ONLY	SCALE ---	DESIGN UNITS METRIC	THIRD ANGLE PROJECTION
	10 UNDER	±0.2	DRAWN BY YNUKANOBU	DATE 2004/06/05	TITLE EMBOSSSED TAPE PACKAGE FOR 501017-***7	
	10 OVER 30 UNDER	±0.25	CHECKED BY THIRATA	DATE 2004/06/05		
	30 OVER	±0.3	APPROVED BY MSASAO	DATE 2004/06/05		
ANGULAR	±3 °	MATERIAL NO. SEE TABLE	DOCUMENT NO. SD-501017-002	SHEET NO. 1 OF 4		
	DRAFT WHERE APPLICABLE MUST REMAIN WITHIN DIMENSIONS		THIS DRAWING CONTAINS INFORMATION THAT IS PROPRIETARY TO MOLEX INCORPORATED AND SHOULD NOT BE USED WITHOUT WRITTEN PERMISSION			



44mm幅キャリアテープ  
44mm WIDTH CARRIER TAPE

44	4.57	49.4	45.4	21.75	501017-1008	100
キャリアテープ幅 CARRIER TAPE WIDTH	(D)	C	B	(A)	MATERIAL NO.	極数 CKT.

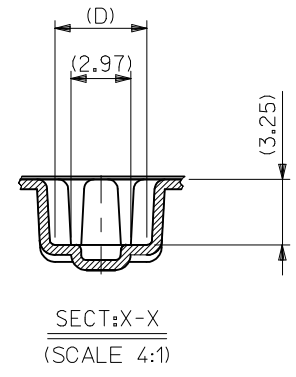
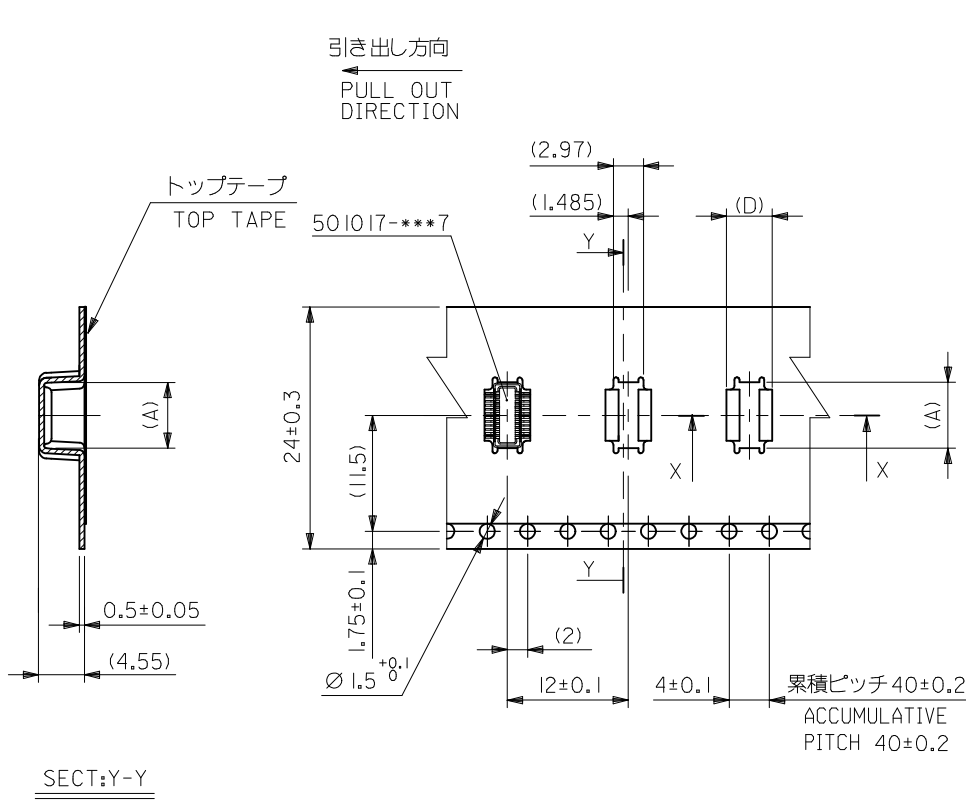
REVISED EC NO: J2014-0046 DRW:KKI INOMURA 2013/07/05 CHK:D:TASAKAWA 2013/07/05 APPR:KMORI KAWA 2013/08/05	GENERAL TOLERANCES (UNLESS SPECIFIED)		DIMENSION STYLE MM ONLY		SCALE ---	DESIGN UNITS METRIC	MODEL NO.   501017-***8
	10 UNDER	±0.2	DRAWN BY YNUKANOBU	DATE 2004/06/05	TITLE EMBOSSED TAPE PACKAGE FOR 501017-***7		
	10 OVER 30 UNDER	±0.25	CHECKED BY THIRATA	DATE 2004/06/05	MATERIAL NO.   501017-***8		
	30 OVER	±0.3	APPROVED BY MSASAO	DATE 2004/06/05	THIRD ANGLE PROJECTION		
REV	DESCRIPTION	ANGULAR ±3 °	MATERIAL NO.		DOCUMENT NO.		SHEET NO.
		DRAFT WHERE APPLICABLE MUST REMAIN WITHIN DIMENSIONS	SEE TABLE		SD-501017-002		2 OF 4
			THIS DRAWING CONTAINS INFORMATION THAT IS PROPRIETARY TO MOLEX INCORPORATED AND SHOULD NOT BE USED WITHOUT WRITTEN PERMISSION				



32 mm幅キャリアテープ  
32 mm WIDTH CARRIER TAPE

32	4.57	37.4	33.4	17.75	501017-0808	80
	5.02			13.75	501017-0608	60
				11.75	501017-0508	50
キャリアテープ幅 CARRIER TAPE WIDTH	(D)	C	B	(A)	MATERIAL NO.	極数 CKT.

REVISED EC NO: J2014-0046 DRW:KKI INOMURA 2013/07/05 CHK:D:TASAKAWA 2013/07/05 APPR:KMORI KAWA 2013/08/05	GENERAL TOLERANCES (UNLESS SPECIFIED)	DIMENSION STYLE MM ONLY	SCALE ---	DESIGN UNITS METRIC	MODEL NO. 501017-***8
	10 UNDER ±0.2	DRAWN BY YNUKANOBU	DATE 2004/06/05	TITLE EMBOSSD TAPE PACKAGE FOR 501017-***7	THIRD ANGLE PROJECTION
	10 OVER 30 UNDER ±0.25	CHECKED BY THIRATA	DATE 2004/06/05		
	30 OVER ±0.3	APPROVED BY MSASAO	DATE 2004/06/05		
	ANGULAR ±3 °	MATERIAL NO. SEE TABLE	DOCUMENT NO. SD-501017-002	SHEET NO. 3 OF 4	
DRAFT WHERE APPLICABLE MUST REMAIN WITHIN DIMENSIONS	SIZE A3	THIS DRAWING CONTAINS INFORMATION THAT IS PROPRIETARY TO MOLEX INCORPORATED AND SHOULD NOT BE USED WITHOUT WRITTEN PERMISSION			



24mm幅キャリアテープ  
24mm WIDTH CARRIER TAPE

24	4.57	29.4	25.4	6.55	501017-0248	24
キャリアテープ幅 CARRIER TAPE WIDTH	(D)	C	B	A	MATERIAL NO.	極数 CKT.

REVISED EC NO: J2014-0046 DRW:KKI INOMURA 2013/07/05 CHK:D:TASAKAWA 2013/07/05 APPR:KMORI KAWA 2013/08/05	DESCRIPTION GENERAL TOLERANCES (UNLESS SPECIFIED) 10 UNDER ±0.2 10 OVER 30 UNDER ±0.25 30 OVER ±0.3 ANGULAR ±3 ° DRAFT WHERE APPLICABLE MUST REMAIN WITHIN DIMENSIONS	DIMENSION STYLE MM ONLY	SCALE ---	DESIGN UNITS METRIC	MODEL NO.   501017-***8 THIRD ANGLE PROJECTION
		DRAWN BY YNUKANOBU	DATE 2004/06/05	TITLE EMBOSSED TAPE PACKAGE FOR 501017-***7	
		CHECKED BY THIRATA	DATE 2004/06/05	APPROVED BY MSASAO	
		DATE 2004/06/05	MATERIAL NO. SEE CHART	DOCUMENT NO. SD-501017-002	SHEET NO. 4 OF 4