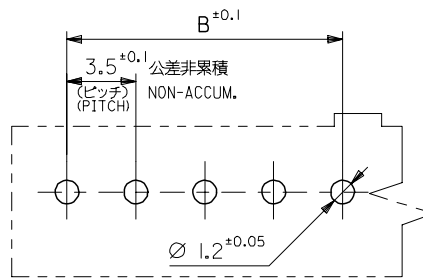
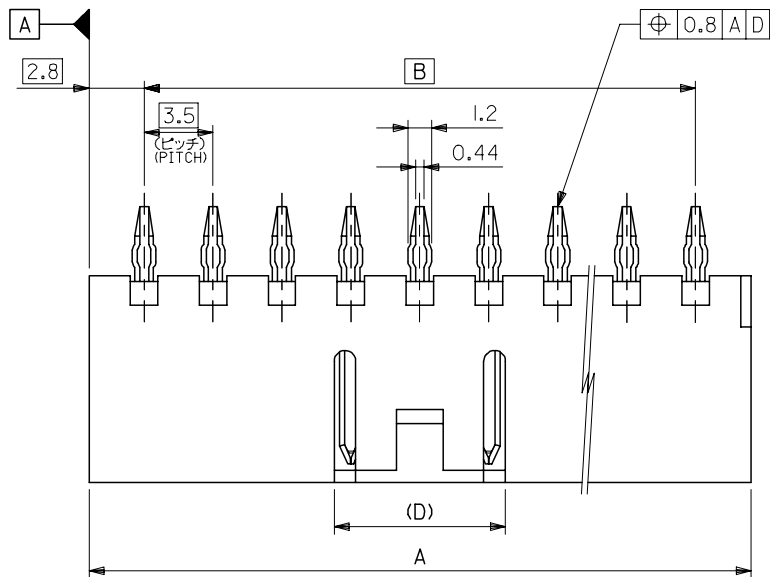


10 9 8 7 6 5 4 3 2 1

F
E
D
C
B
A

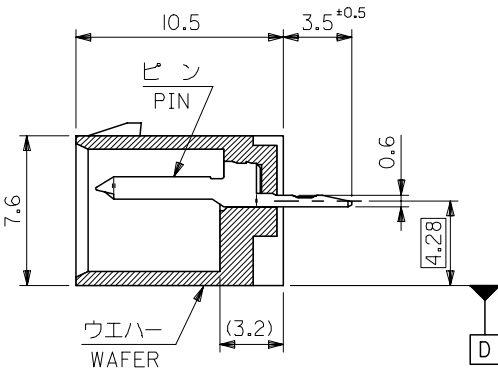
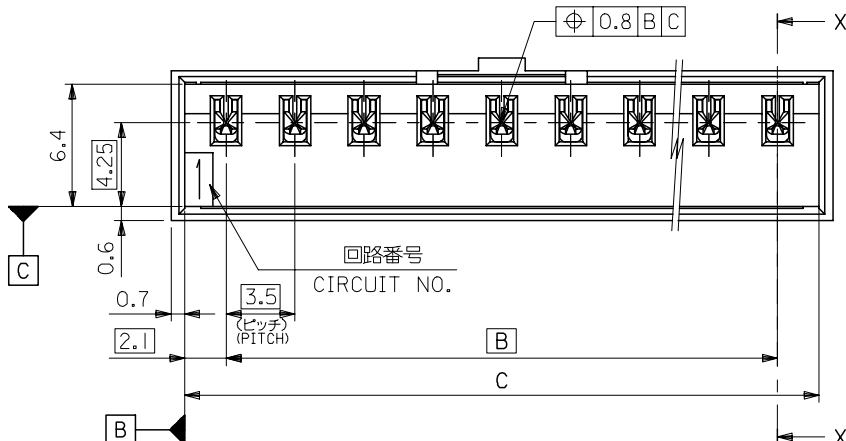
F
E
D
C
B
A



注記 NOTES

1. 嵌合相手：51067 シリーズ
MATE WITH : 51067 SERIES
2. 材質
MATERIAL
ウエハー : PBTP (ガラス15%入り)、UL94V-0
WAFER : PBTP (G.F 15%), UL94V-0
ピン : 黄銅、ニッケル下地 鍍メッキ (t=0.254)
PIN : BRASS
TIN OVER NICKEL PLATING (t=0.254)
3. 本製品は 53258-**20 の鉛フリー品である。
THIS PRODUCT IS LEAD FREE OF 53258-**20.
4. メッキ仕様
TERMINAL PLATING
表面メッキ : スズメッキ 1μm MIN.
SURFACE PLATE : TIN 1μm MIN.
下地メッキ : ニッケルメッキ 1μm MIN.
UNDER PLATE : NICKEL 1μm MIN.

基板取付穴推奨寸法 (参考) (t=1.6)
RECOMMENDED P.C. BOARD HOLE DIM. (REF.)



8.7	53.2	49.0	54.6	53258-1529	15
	49.7	45.5	51.1	-1429	14
	46.2	42.0	47.6	-1329	13
	42.7	38.5	44.1	-1229	12
	39.2	35.0	40.6	-1129	11
	35.7	31.5	37.1	-1029	10
	32.2	28.0	33.6	-0929	9
	28.7	24.5	30.1	-0829	8
	25.2	21.0	26.6	-0729	7
	21.7	17.5	23.1	-0629	6
	18.2	14.0	19.6	-0529	5
8.7	14.7	10.5	16.1	-0429	4
6.1	11.2	7.0	12.6	-0329	3
6.1	7.7	3.5	9.1	53258-0229	2
(D)	C	B	A	MATERIAL NO.	CKT. 極数

MODEL NO. 53258-**29

REVISED EC NO: J2007-0432 DRW:KSAIT001 2006/08/11 CHK:D:THARUYAMA 2006/08/21 APPR:NUKITA 2006/08/23 A	GENERAL TOLERANCES (UNLESS SPECIFIED)		DIMENSION STYLE MM ONLY		SCALE 4:1	DESIGN UNITS METRIC	THIRD ANGLE PROJECTION		
	10 UNDER ± 0.2	10 OVER 30 UNDER ± 0.25	30 OVER ± 0.3	ANGULAR ± 3 °	DRAFT WHERE APPLICABLE MUST REMAIN WITHIN DIMENSIONS	DRAWN BY T. UENO 2004/04/22	CHECKED BY M. SASAO 2004/04/22	APPROVED BY M. SASAO 2004/04/22	TITLE 3.5 WIRE TO BOARD CONN -LEAD FREE-
	MATERIAL 材料				SEE CHART		MOLEX INCORPORATED		SHEET NO. 1 OF 1
	注記参照 SEE NOTES				THIS DRAWING CONTAINS INFORMATION THAT IS PROPRIETARY TO MOLEX INCORPORATED AND SHOULD NOT BE USED WITHOUT WRITTEN PERMISSION		DOCUMENT NO. SD-53258-005		MODEL NO. 53258-**29

9 8 7 6 5 4 3 2 1