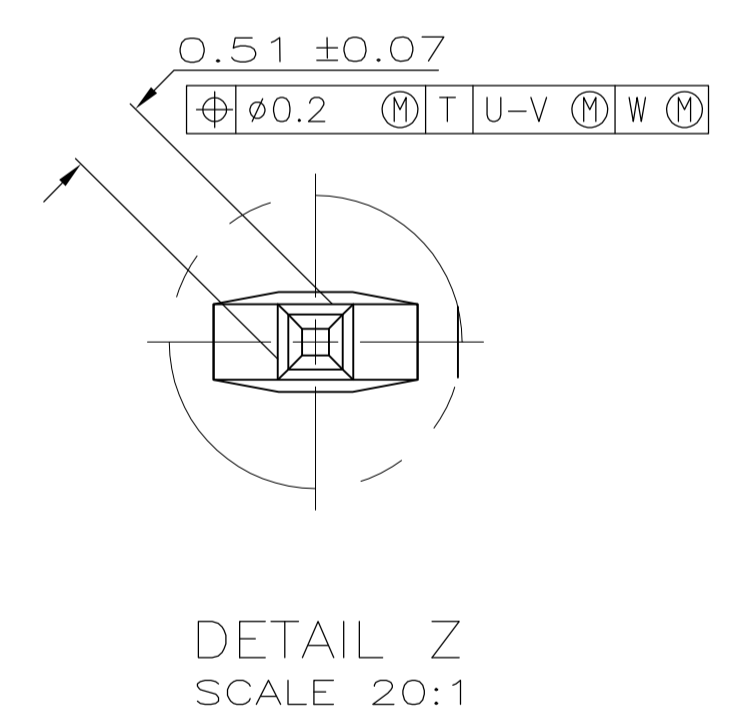


- 1 HOUSING MATERIAL: LIQUID CRYSTAL POLYMER PER ASTM D5138 LCP000 G30A 32250.
- 2 CONTACT MATERIAL: PHOSPHOR BRONZE.
- 3 CONTACT FINISH:  
 UNDERPLATE (ENTIRE CONTACT):  
 0.00127 MIN NICKEL.  
 ON MATING SURFACES:  
 CONFORMS TO ALL TESTING SPECIFIED FOR TELCORDIA UNCONTROLLED ENVIRONMENT.  
 ON LEADS  
 0.00381 MIN TIN-LEAD OVER UNDERPLATE.  
 LUBRICATION (ENTIRE CONTACT):  
 SURFACE CONDITIONER PER AMP SPEC 112-1002 AFTER PLATING.
- 4 PART MARKING PER AMP INCORPORATED SPECIFICATION 115-9009, LOCATED APPROXIMATELY AS SHOWN.
- 5 OBSOLETE PARTS: OBSOLETE CIS STREAMLINING PER D.RENAUD/D.SINISI



RECOMMENDED CIRCUIT PATTERN  
 PER IPC-D300 TYPE II, CLASS C  
 (COMPONENT SIDE)

OBSOLETE	4.25	6.5	34	17	35.88	72	1-536501-1	
	4.25	6.5	130	65	131.88	264	-536501-0	
OBSOLETE	4.25	6.5	106	53	107.88	216	-536501-9	
	4.25	6.5	118	59	119.88	240	-536501-8	
OBSOLETE	4.25	6.5	82	41	83.88	168	-536501-7	
	4.25	6.5	58	29	59.88	120	536501-6	
OBSOLETE	4.25	6.5	70	35	71.88	144	536501-5	
	4.25	6.5	94	47	95.88	192	536501-4	
OBSOLETE	4.25	6.5	46	23	47.88	96	536501-3	
	4.25	6.5	22	11	23.88	48	536501-2	
OBSOLETE	4.25	6.5	10	5	11.88	24	536501-1	
	E	D	C	B	A	FINISH	NO OF POSN	PART NUMBER

THIS DRAWING IS A CONTROLLED DOCUMENT.

DIMENSIONS: mm	TOLERANCES UNLESS OTHERWISE SPECIFIED:	DIN D.R.BENDER 08/06/92	tyco Electronics Tyco Electronics Corporation Harrisburg, PA 17105-3608
0 PLC ± -	1 PLC ± -	CIK R.BENDORF 09/14/92	NAME Z-PACK 2mm FB, SIGNAL MODULE, PIN ASSEMBLY
2 PLC ± -0.13	3 PLC ± -	APVO R.BENDORF 09/14/92	PRODUCT SPEC 2mm
4 PLC ± -	ANGLES ± -	APPLICATION SPEC	SIZE CAGE CODE DRAWING NO
MATERIAL	FINISH	WEIGHT	A1 00779 536501
CUSTOMER DRAWING		SCALE 4:1	SHEET 1 OF 1 REV S1