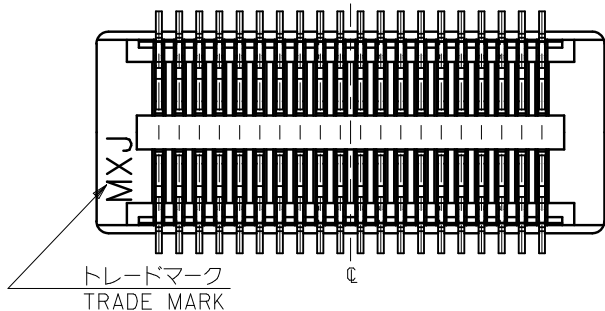


30極以下品形状  
SHAPE OF 30 CIRCUITS OR LESS



注記 NOTES:

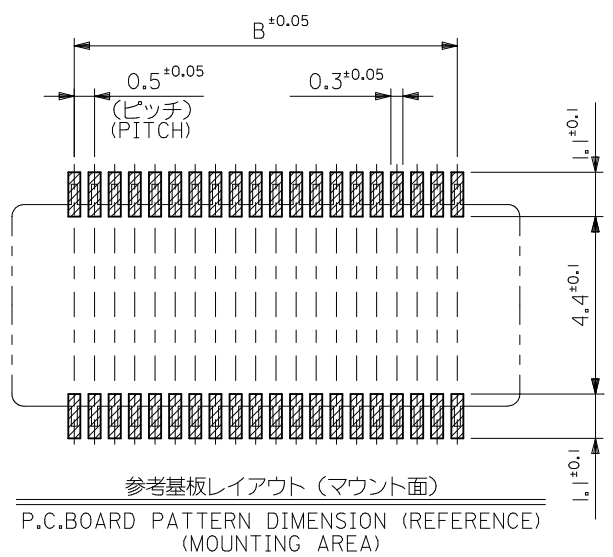
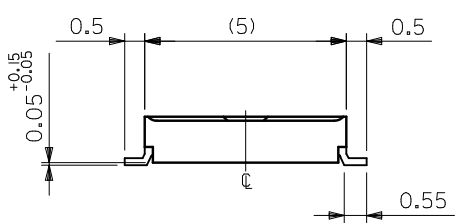
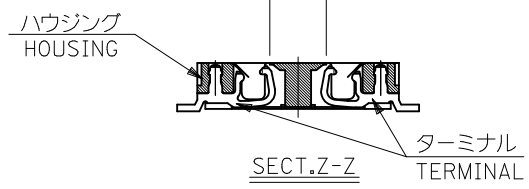
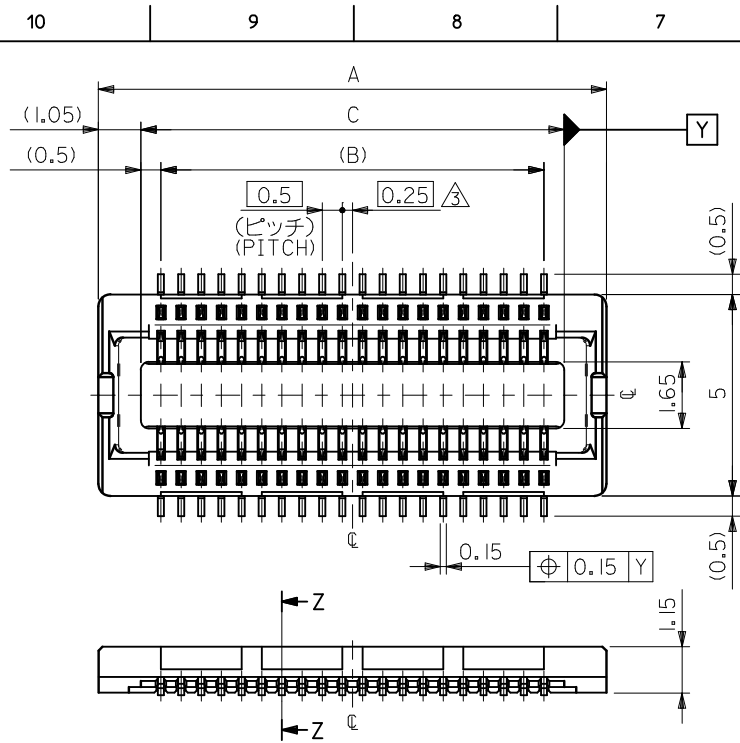
- 使用材料 MATERIAL  
ハウジング: 液晶ポリマー ガラス充填、UL94V-0 (黒)  
HOUSING: LIQUID CRYSTAL POLYMER (GLASS FILLED)  
UL94V-0, (COLOR: BLACK)  
ターミナル: リン青銅 (t=0.15)  
TERMINAL: PHOSPHOR BRONZE (t=0.15)
- メッキ仕様 PLATING  
金メッキ 0.25マイクロメートル以上 (コンタクト部)  
GOLD 0.25 MICROMETER MINIMUM (CONTACT AREA)  
金メッキ 0.4マイクロメートル以下 (テール部)  
GOLD 0.4 MICROMETER MAXIMUM (TAIL AREA)  
下地メッキ: ニッケルメッキ 1.5マイクロメートル以上  
UNDER PLATING: NICKEL 1.5 MICROMETER MINIMUM  
\*コンタクト部とテール部はニッケルメッキによって  
分断されている金メッキです。  
DIVIDE INTO PARTS THE GOLD PLATING OF THE CONTACT  
AND THE TAIL PART BY THE NICKEL PLATING.

- ③ (全極数/2) = 偶数の場合に適用。  
APPLY FOR (CIRCUIT/2) = EVEN.
- 嵌合相手: 55560シリーズ, 53794シリーズ  
MATE WITH: 55560 SERIES, 53794 SERIES.
  - テール平坦度は、0.1以下  
TAIL COPLANARITY TO BE 0.1 MAXIMUM.

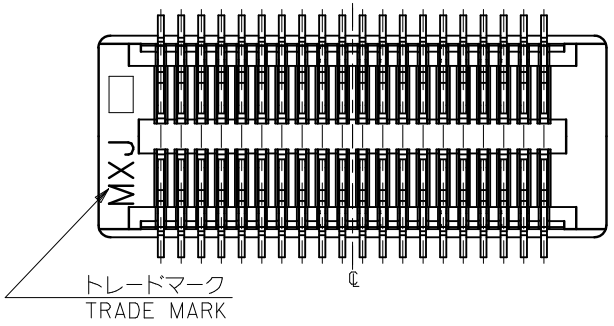
8.0	7.0	10.1	54722-0304	54722-0303	30
6.5	5.5	8.6	54722-0244	54722-0243	24
6.0	5.0	8.1	54722-0224	54722-0223	22
5.5	4.5	7.6	54722-0204	54722-0203	20
4.5	3.5	6.6	54722-0164	54722-0163	16
C	B	A	EMBSTP PKG. ORDER No. オーダー番号	MATERIAL No.	極数 CIRCUIT

MODEL No. 54722-\*\*\*3

REVISED EC NO: J2010-1489 DRWN: TOSHIMA CHKD: SMARUYAMA APPR: MSASAO	DESCRIPTION 2010/02/01 2010/02/02 2010/02/02	GENERAL TOLERANCES (UNLESS SPECIFIED)		DIMENSION STYLE MM ONLY		SCALE ---	DESIGN UNITS METRIC	THIRD ANGLE PROJECTION	
		10 UNDER	±0.2	DRAWN BY T. ITO	DATE '03/08/20	TITLE 0.5 B-T-O-B CONN REC ASSY [NI BARRIER] (HGT=1.5) -LEAD FREE-			
		10 OVER 30 UNDER	±0.25	CHECKED BY T. YAMAGUCHI	DATE '03/08/20	MOLEX INCORPORATED			
		30 OVER	±0.3	APPROVED BY T. YAMAGUCHI	DATE '03/08/20	DOCUMENT NO. SD-54722-011			
REV	DESCRIPTION	ANGULAR	±3 °	MATERIAL NO. SEE CHART		SHEET NO. 1 OF 2		THIS DRAWING CONTAINS INFORMATION THAT IS PROPRIETARY TO MOLEX INCORPORATED AND SHOULD NOT BE USED WITHOUT WRITTEN PERMISSION	



34極以上品形状  
SHAPE OF 34CIRCUITS OR MORE

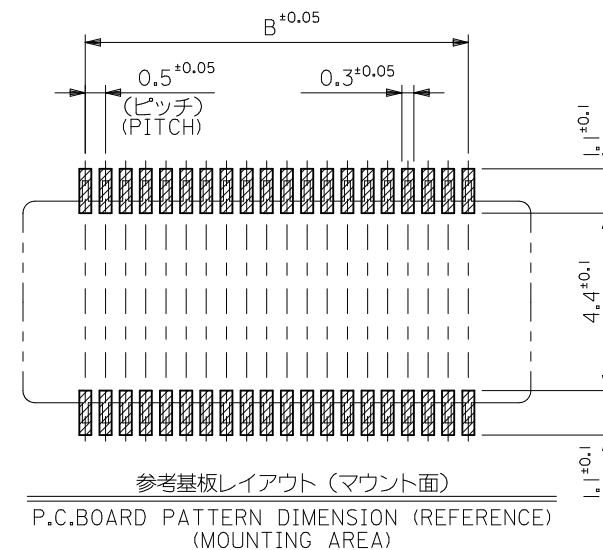
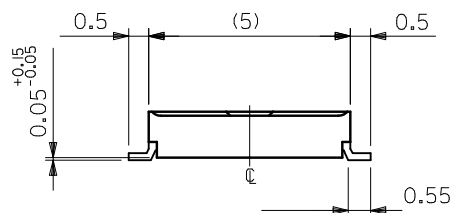
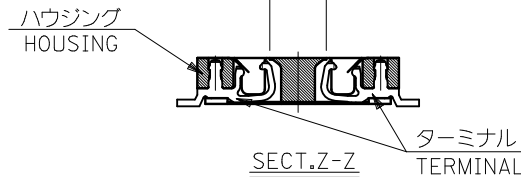
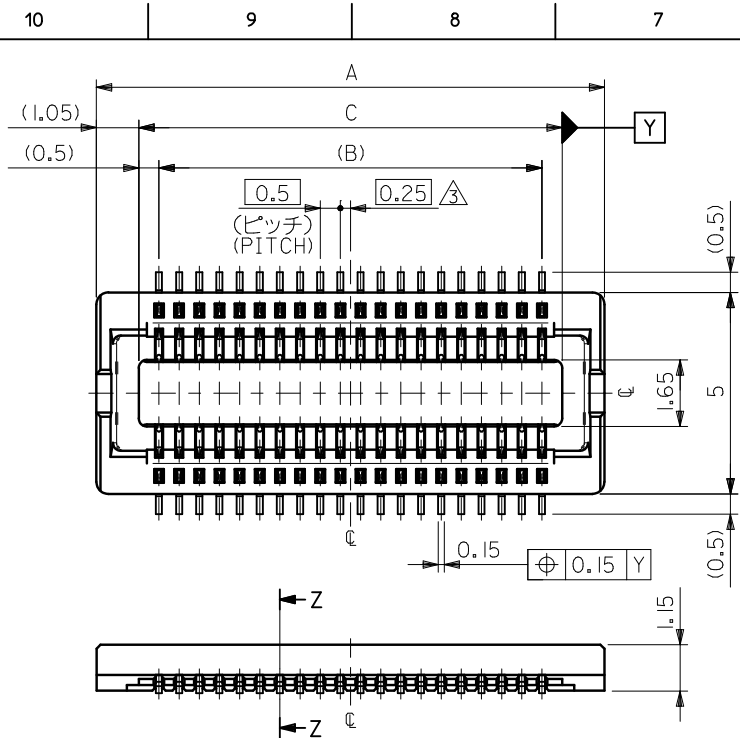


注記 NOTES:  
 1. 使用材料 MATERIAL  
 ハウジング: 液晶ポリマー ガラス充填, UL94V-0 (黒)  
 HOUSING: LIQUID CRYSTAL POLYMER (GLASS FILLED)  
 UL94V-0, (COLOR:BLACK)  
 ターミナル: リン青銅 (t=0.15)  
 TERMINAL: PHOSPHOR BRONZE (t=0.15)  
 2. メッキ仕様 PLATING  
 金メッキ 0.25マイクロメートル以上 (コンタクト部)  
 GOLD 0.25 MICROMETER MINIMUM (CONTACT AREA)  
 金メッキ 0.4マイクロメートル以下 (テール部)  
 GOLD 0.4 MICROMETER MAXIMUM (TAIL AREA)  
 下地メッキ: ニッケルメッキ 1.5マイクロメートル以上  
 UNDER PLATING: NICKEL 1.5 MICROMETER MINIMUM  
 \*コンタクト部とテール部はニッケルメッキによって  
 分断されている金メッキです。  
 DIVIDE INTO PARTS THE GOLD PLATING OF THE CONTACT  
 AND THE TAIL PART BY THE NICKEL PLATING.

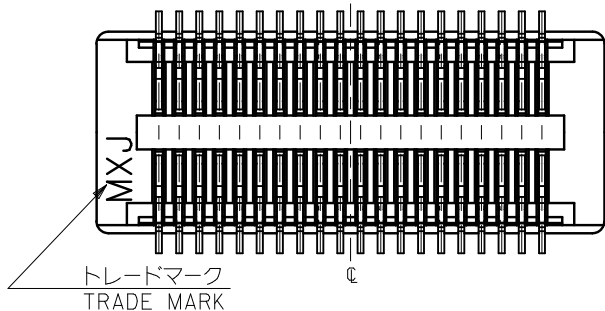
- △ (全極数/2) = 偶数の場合に適用。  
 APPLY FOR (CIRCUIT/2)=EVEN.  
 4. 嵌合相手: 55560シリーズ, 53794シリーズ  
 MATE WITH: 55560 SERIES, 53794 SERIES.  
 5. テール平坦度は、0.1以下  
 TAIL COPLANARITY TO BE 0.1 MAXIMUM.

20.5	19.5	22.6	54722-0804	54722-0803	80
15.5	14.5	17.6	54722-0604	54722-0603	60
13.0	12.0	15.1	54722-0504	54722-0503	50
10.5	9.5	12.6	54722-0404	54722-0403	40
9.0	8.0	11.1	54722-0344	54722-0343	34
C	B	A	EMBSTP PKG. ORDER No. オーダー番号	MATERIAL No.	極数 CIRCUIT

REVISED EC NO: J2010-1489 DRWN: TOSHIMA CHKD: SMARUYAMA APPR: MSASAO	2010/02/01 2010/02/02	DESCRIPTION	GENERAL TOLERANCES (UNLESS SPECIFIED)		DIMENSION STYLE MM ONLY		SCALE ---	DESIGN UNITS METRIC	MODEL No. 54722-***3
			10 UNDER	±0.2	DRAWN BY T. ITO	DATE '03/08/20	TITLE 0.5 B-TO-B CONN REC ASSY [NI BARRIER] (HGT=15) -LEAD FREE-		
			10 OVER 30 UNDER	±0.25	CHECKED BY T. YAMAGUCHI	DATE '03/08/20	MATERIAL NO. SEE CHART		
			30 OVER	±0.3	APPROVED BY T. YAMAGUCHI	DATE '03/08/20	DOCUMENT NO. SD-54722-011		
REV	B	REV	ANGULAR ±3 °	DRAFT WHERE APPLICABLE MUST REMAIN WITHIN DIMENSIONS		SIZE A3		SHEET NO. 2 OF 2	



30極以下品形状  
SHAPE OF 30 CIRCUITS OR LESS



注記 NOTES:

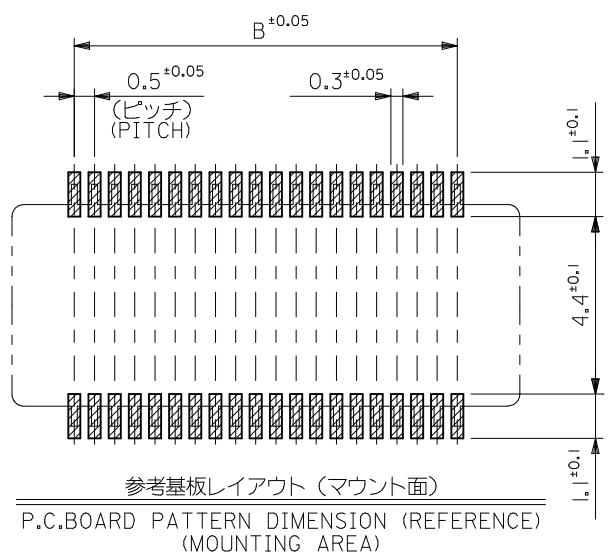
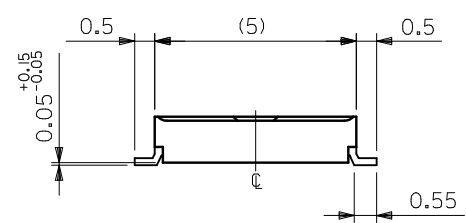
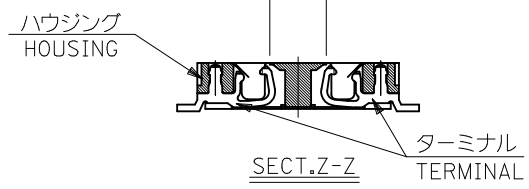
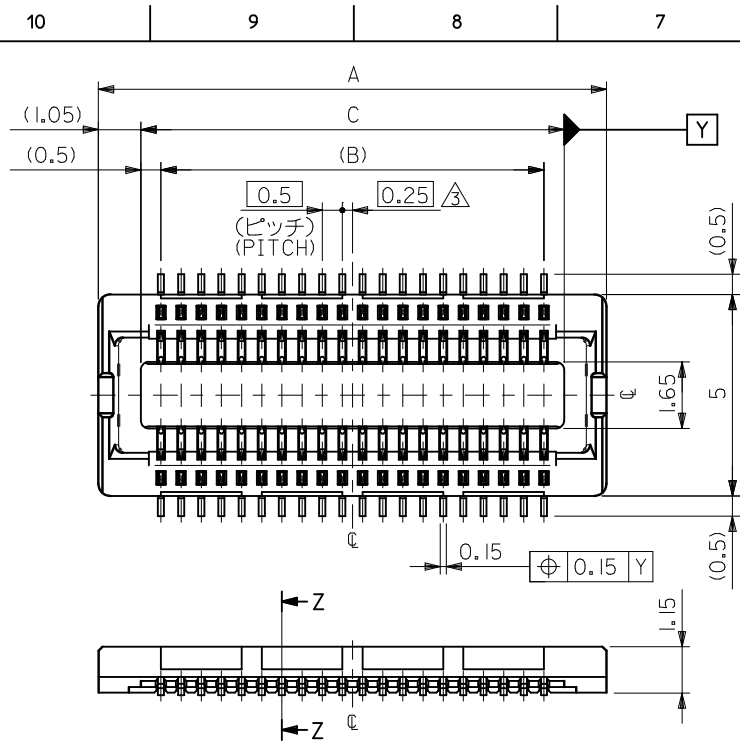
1. 使用材料 MATERIAL  
ハウジング: 液晶ポリマー ガラス充填、UL94V-0 (黒)  
HOUSING: LIQUID CRYSTAL POLYMER (GLASS FILLED)  
UL94V-0, (COLOR: BLACK)  
ターミナル: リン青銅 (t=0.15)  
TERMINAL: PHOSPHOR BRONZE (t=0.15)
2. メッキ仕様 PLATING  
金メッキ 0.25マイクロメートル以上 (コンタクト部)  
GOLD 0.25 MICROMETER MINIMUM (CONTACT AREA)  
金メッキ 0.4マイクロメートル以下 (テール部)  
GOLD 0.4 MICROMETER MAXIMUM (TAIL AREA)  
下地メッキ: ニッケルメッキ 1.5マイクロメートル以上  
UNDER PLATING: NICKEL 1.5 MICROMETER MINIMUM  
\*コンタクト部とテール部はニッケルメッキによって  
分断されている金メッキです。  
DIVIDE INTO PARTS THE GOLD PLATING OF THE CONTACT  
AND THE TAIL PART BY THE NICKEL PLATING.

- ③ (全極数/2) = 偶数の場合に適用。  
APPLY FOR (CIRCUIT/2) = EVEN.
4. 嵌合相手: 55560シリーズ, 53794シリーズ  
MATE WITH: 55560 SERIES, 53794 SERIES.
  5. テール平坦度は、0.1以下  
TAIL COPLANARITY TO BE 0.1 MAXIMUM.

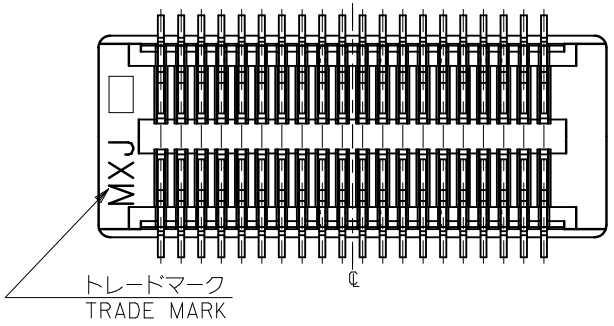
8.0	7.0	10.1	54722-0304	54722-0303	30
6.5	5.5	8.6	54722-0244	54722-0243	24
6.0	5.0	8.1	54722-0224	54722-0223	22
5.5	4.5	7.6	54722-0204	54722-0203	20
4.5	3.5	6.6	54722-0164	54722-0163	16
C	B	A	EMBSTP PKG. ORDER No. オーダー番号	MATERIAL No.	極数 CIRCUIT

MODEL No. 54722-\*\*\*3

REVISED EC NO: J2010-1489 DRWN: TOSHIMA CHKD: SMARUYAMA APPR: MSASAO	DESCRIPTION 2010/02/01 2010/02/02 2010/02/02	GENERAL TOLERANCES (UNLESS SPECIFIED)		DIMENSION STYLE MM ONLY		SCALE ---	DESIGN UNITS METRIC	THIRD ANGLE PROJECTION		
		10 UNDER	±0.2	DRAWN BY T. ITO	DATE '03/08/20	TITLE 0.5 B-T-O-B CONN REC ASSY [NI BARRIER] (HGT=15) -LEAD FREE-				
		10 OVER 30 UNDER	±0.25	CHECKED BY T. YAMAGUCHI	DATE '03/08/20	MOLEX INCORPORATED				
		30 OVER	±0.3	APPROVED BY T. YAMAGUCHI	DATE '03/08/20	DOCUMENT NO. SD-54722-011				
ANGULAR ±3 °		DRAFT WHERE APPLICABLE MUST REMAIN WITHIN DIMENSIONS		MATERIAL NO. SEE CHART		SHEET NO. 1 OF 2				
SIZE A3		THIS DRAWING CONTAINS INFORMATION THAT IS PROPRIETARY TO MOLEX INCORPORATED AND SHOULD NOT BE USED WITHOUT WRITTEN PERMISSION								



34極以上品形状  
SHAPE OF 34CIRCUITS OR MORE

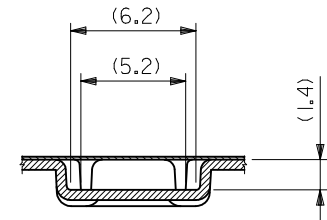
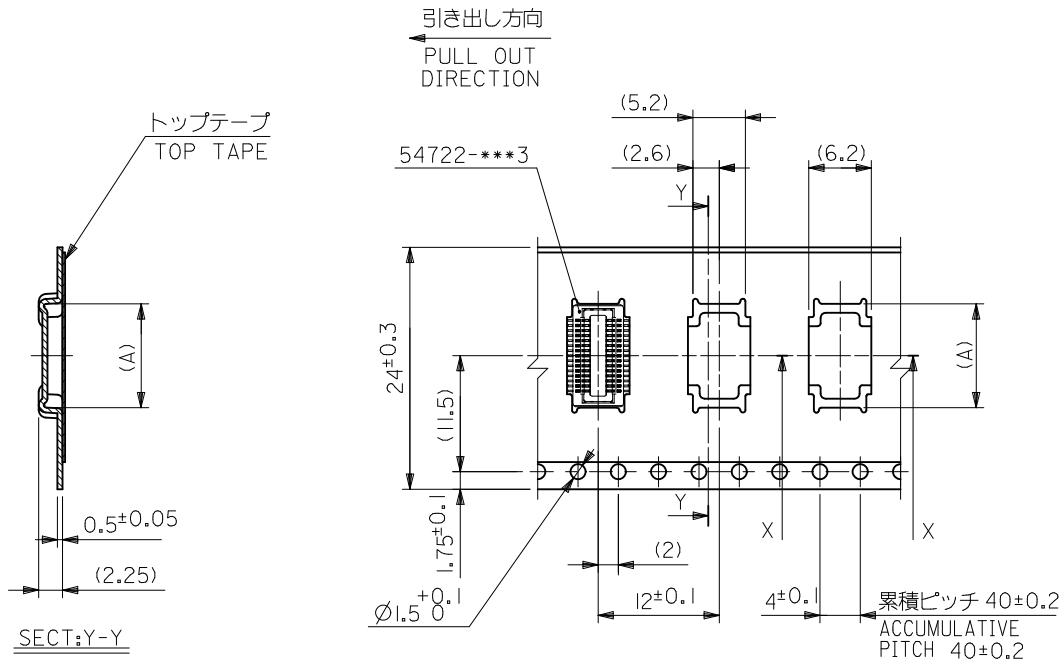


- 注記 NOTES:
- 使用材料 MATERIAL  
 ハウジング: 液晶ポリマー ガラス充填、UL94V-0 (黒)  
 HOUSING: LIQUID CRYSTAL POLYMER (GLASS FILLED)  
 UL94V-0,(COLOR:BLACK)  
 ターミナル: リン青銅 (t=0.15)  
 TERMINAL: PHOSPHOR BRONZE (t=0.15)
  - メッキ仕様 PLATING  
 金メッキ 0.25マイクロメートル以上 (コンタクト部)  
 GOLD 0.25 MICROMETER MINIMUM (CONTACT AREA)  
 金メッキ 0.4マイクロメートル以下 (テール部)  
 GOLD 0.4 MICROMETER MAXIMUM (TAIL AREA)  
 下地メッキ: ニッケルメッキ 1.5マイクロメートル以上  
 UNDER PLATING: NICKEL 1.5 MICROMETER MINIMUM  
 \*コンタクト部とテール部はニッケルメッキによって  
 分断されている金メッキです。  
 DIVIDE INTO PARTS THE GOLD PLATING OF THE CONTACT  
 AND THE TAIL PART BY THE NICKEL PLATING.

- △3 (全極数/2) = 偶数の場合に適用。  
 APPLY FOR (CIRCUIT/2)=EVEN.
- 嵌合相手: 55560シリーズ, 53794シリーズ  
 MATE WITH: 55560 SERIES, 53794 SERIES.
  - テール平坦度は、0.1以下  
 TAIL COPLANARITY TO BE 0.1 MAXIMUM.

20.5	19.5	22.6	54722-0804	54722-0803	80
15.5	14.5	17.6	54722-0604	54722-0603	60
13.0	12.0	15.1	54722-0504	54722-0503	50
10.5	9.5	12.6	54722-0404	54722-0403	40
9.0	8.0	11.1	54722-0344	54722-0343	34
C	B	A	EMBSTP PKG. ORDER No. オーダー番号	MATERIAL No.	極数 CIRCUIT

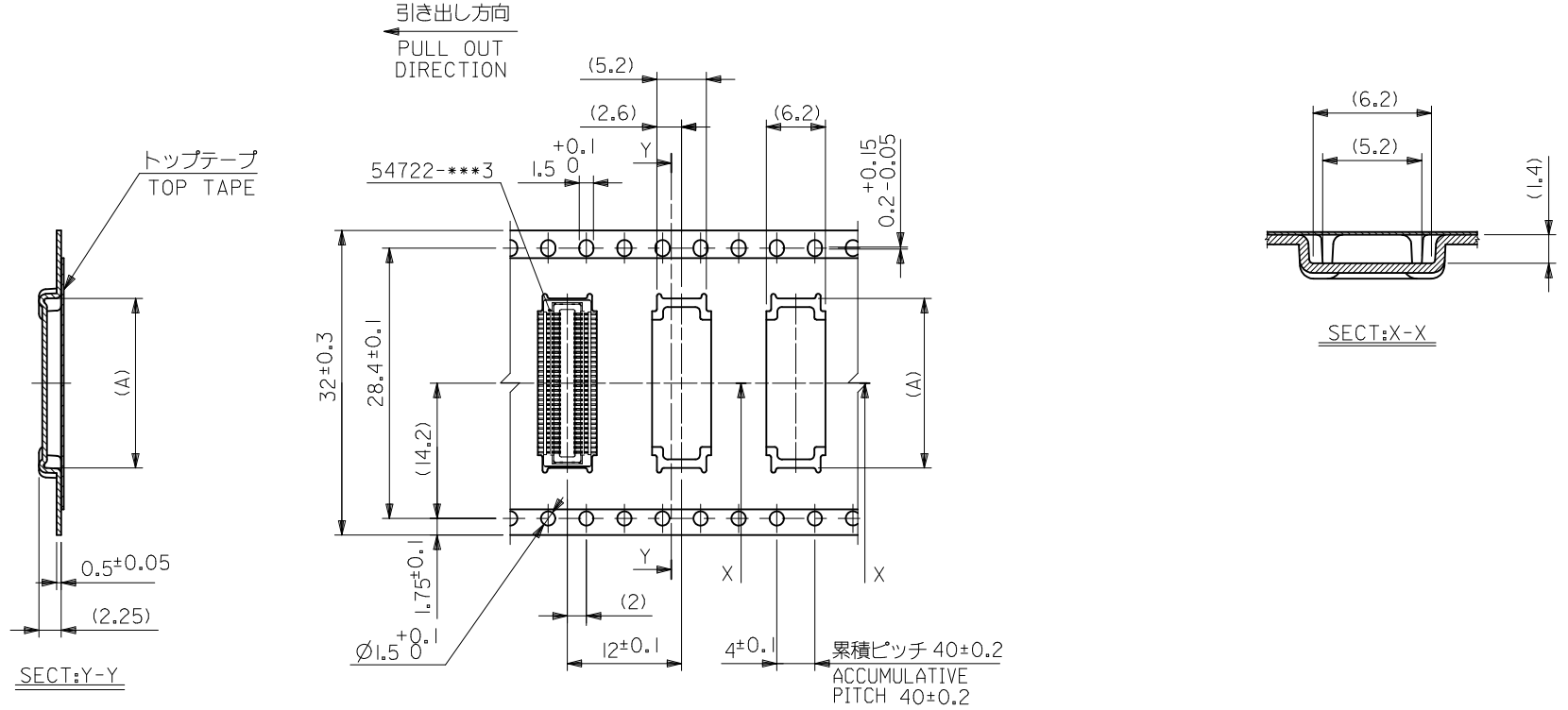
REVISED EC NO: J2010-1489 DRWN: TOSHIMA CHKD: SMARUYAMA APPR: MSASAO	2010/02/01 2010/02/02	DESCRIPTION	GENERAL TOLERANCES (UNLESS SPECIFIED)		DIMENSION STYLE MM ONLY		SCALE ---	DESIGN UNITS METRIC	MODEL No. 54722-***3
			10 UNDER	±0.2	DRAWN BY T. ITO	DATE '03/08/20	TITLE 0.5 B-TO-B CONN REC ASSY [NI BARRIER] (HGT=15) -LEAD FREE-		
			10 OVER 30 UNDER	±0.25	CHECKED BY T. YAMAGUCHI	DATE '03/08/20	MATERIAL NO. SEE CHART		
			30 OVER	±0.3	APPROVED BY T. YAMAGUCHI	DATE '03/08/20	DOCUMENT NO. SD-54722-011		
REV	B	REV	ANGULAR ±3 °	DRAFT WHERE APPLICABLE MUST REMAIN WITHIN DIMENSIONS		SIZE A3		SHEET NO. 2 OF 2	



24mm幅キャリアテープ  
24mm WIDTH CARRIER TAPE

24	29.4	25.4	15.3	54722-0504	50
			12.8	54722-0404	40
			11.3	54722-0344	34
			10.3	54722-0304	30
			8.8	54722-0244	24
			8.3	54722-0224	22
キャリアテープ幅 CARRIER TAPE WIDTH	C	B	(A)	MATERIAL NO.	極数 CIRCUIT

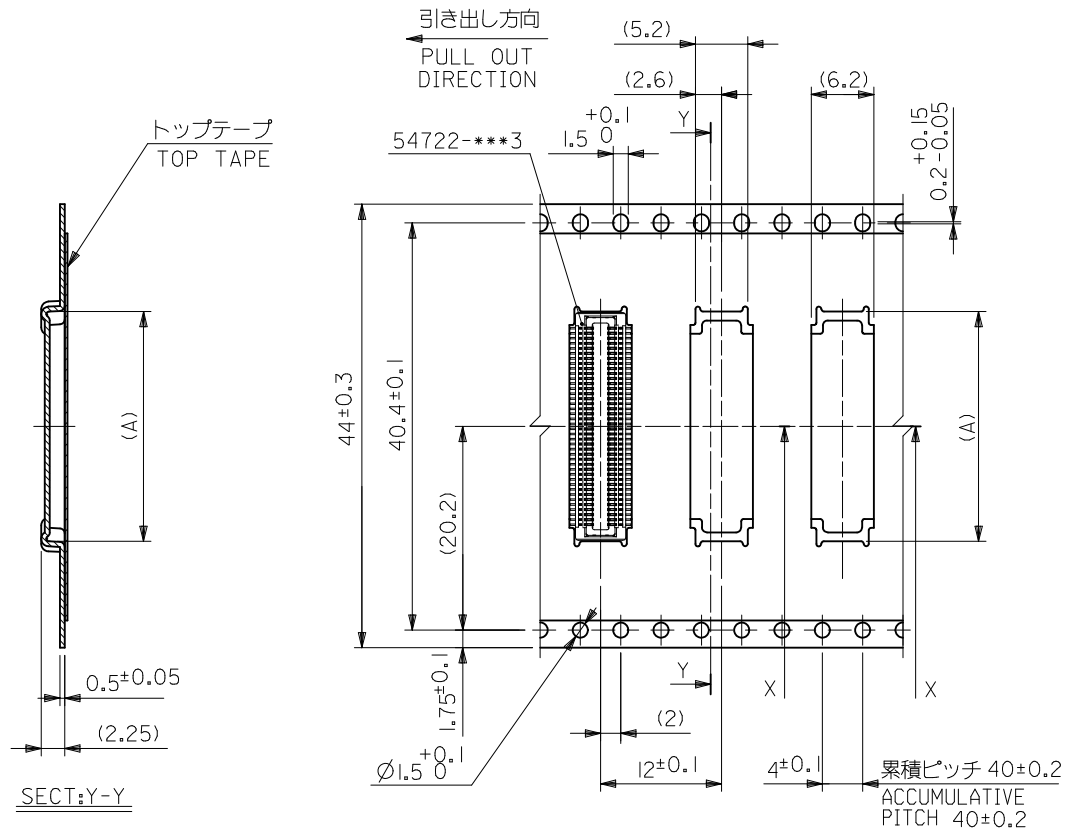
REVISED EC NO: J2010-1489 DRWN: TOSHIMA 2010/02/01 CHKD: SMARUYAMA 2010/02/02 APPR: MSASAO 2010/02/02	DESCRIPTION GENERAL TOLERANCES (UNLESS SPECIFIED)	DIMENSION STYLE <b>MM ONLY</b>		SCALE ---	MODEL NO. 54722-***4
		10 UNDER ±0.2	DRAWN BY T. ITO	DATE '03/08/20	TITLE <b>0.5 B-TO-B CONN REC ASSY                  [NI BARRIER] EMBSTP PKG                  -LEAD FREE-</b>
		10 OVER 30 UNDER ±0.25	CHECKED BY T. YAMAGUCHI	DATE '03/08/20	
		30 OVER ±0.3	APPROVED BY T. YAMAGUCHI	DATE '03/08/20	
ANGULAR ±3 ° DRAFT WHERE APPLICABLE MUST REMAIN WITHIN DIMENSIONS	MATERIAL NO. SEE CHART	DOCUMENT NO. SD-54722-012	SHEET NO. 3 OF 5		
C	REV	THIS DRAWING CONTAINS INFORMATION THAT IS PROPRIETARY TO MOLEX INCORPORATED AND SHOULD NOT BE USED WITHOUT WRITTEN PERMISSION			



32mm幅キャリアテープ  
32mm WIDTH CARRIER TAPE

32	37.4	33.4	17.8	54722-0604	60
キャリアテープ幅 CARRIER TAPE WIDTH	C	B	(A)	MATERIAL NO.	極数 CIRCUIT

REVISED EC NO: J2010-1489 DRWN: TOSHIMA 2010/02/01 CHKD: SMARUYAMA 2010/02/02 APPR: MSASAO 2010/02/02	GENERAL TOLERANCES (UNLESS SPECIFIED)		DIMENSION STYLE MM ONLY		SCALE ---	MODEL NO. 54722-***4
	10 UNDER	±0.2	DRAWN BY T. ITO	DATE '03/08/20	TITLE 0.5 B-TO-B CONN REC ASSY [NI BARRIER] EMBSTP PKG -LEAD FREE- MOLEX INCORPORATED	
	10 OVER 30 UNDER	±0.25	CHECKED BY T. YAMAGUCHI	DATE '03/08/20		
	30 OVER	±0.3	APPROVED BY T. YAMAGUCHI	DATE '03/08/20		
ANGULAR ±3 °		MATERIAL NO.	DOCUMENT NO.			
DRAFT WHERE APPLICABLE MUST REMAIN WITHIN DIMENSIONS		SEE CHART		SD-54722-012		SHEET NO. 4 OF 5
THIS DRAWING CONTAINS INFORMATION THAT IS PROPRIETARY TO MOLEX INCORPORATED AND SHOULD NOT BE USED WITHOUT WRITTEN PERMISSION						



44mm幅キャリアテープ  
44mm WIDTH CARRIER TAPE

44	49.4	45.4	22.8	54722-0804	80
キャリアテープ幅 CARRIER TAPE WIDTH	C	B	(A)	MATERIAL NO.	極数 CIRCUIT

REVISED EC NO: J2010-1489 DRWN: TOSHIMA 2010/02/01 CHKD: SMARUYAMA 2010/02/02 APPR: MSASAO 2010/02/02	GENERAL TOLERANCES (UNLESS SPECIFIED)		DIMENSION STYLE MM ONLY		SCALE ---	MODEL NO. 54722-***4
	10 UNDER	±0.2	DRAWN BY T. IYO	DATE '03/08/20	TITLE 0.5 B-TO-B CONN REC ASSY [NI BARRIER] EMBSTP PKG -LEAD FREE-	
	10 OVER 30 UNDER	±0.25	CHECKED BY T. YAMAGUCHI	DATE '03/08/20	MOLEX INCORPORATED	
	30 OVER	±0.3	APPROVED BY T. YAMAGUCHI	DATE '03/08/20	MATERIAL NO. SEE CHART	DOCUMENT NO. SD-54722-012
	ANGULAR ±3 °	DRAFT WHERE APPLICABLE MUST REMAIN WITHIN DIMENSIONS		SHEET NO. 5 OF 5		
		THIS DRAWING CONTAINS INFORMATION THAT IS PROPRIETARY TO MOLEX INCORPORATED AND SHOULD NOT BE USED WITHOUT WRITTEN PERMISSION				