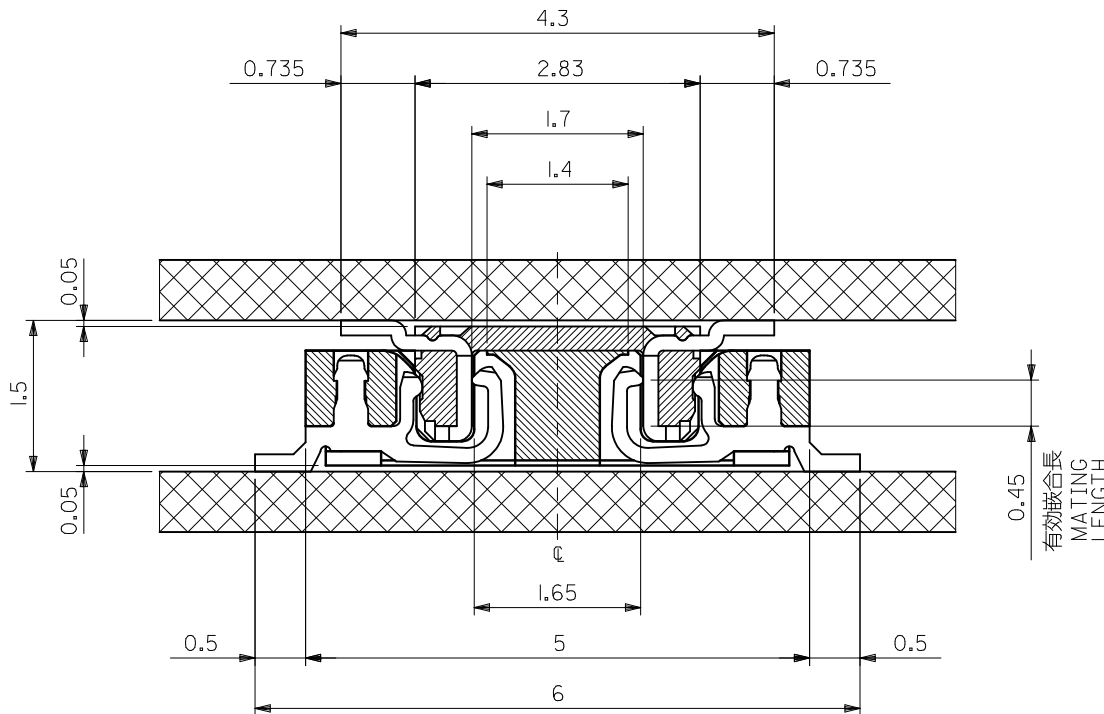


NON	20.55	19.5	21.45	55560-0801	80
10,21	15.55	14.5	16.45	-0601	60
2,4,8,10,16,18,22,24	13.05	12.0	13.95	-0501	50
2,3,5,6,8,9,12,13,15,16,18,19	10.55	9.5	11.45	-0401	40
2,3,4,5,7,8,9,10,11,13,14,15,16	9.05	8.0	9.95	-0341	34
ALL	8.05	7.0	8.95	-0301	30
	6.55	5.5	7.45	-0241	24
	6.05	5.0	6.95	-0221	22
	5.55	4.5	6.45	-0201	20
	4.55	3.5	5.45	55560-0161	16
LOCK POSITION	C	B	A	MATERIAL NO.	極数 CIRCUIT

REVISED EC NO: J2012-0135 DRWN: YON002 CHKD: TASAKAWA APPR: MSASAO 2011/07/01 2011/07/01 2011/07/29	GENERAL TOLERANCES (UNLESS SPECIFIED)		DIMENSION STYLE MM ONLY		SCALE ---	DESIGN UNITS METRIC	THIRD ANGLE PROJECTION
	10 UNDER	±0.20	DRAWN BY SAIHARA	DATE 2003/03/31	TITLE 0.5 B-TO-B CONN PLUG ASSY (HGT=1.5)		
	10 OVER 30 UNDER	±0.25	CHECKED BY MSASAO	DATE 2003/03/31	MOLEX INCORPORATED		
	30 OVER	±0.30	APPROVED BY MSASAO	DATE 2003/03/31	MATERIAL NO. SEE CHART	DOCUMENT NO. SD-55560-006	SHEET NO. 1 OF 2
	ANGULAR ±3 °		DRAFT WHERE APPLICABLE MUST REMAIN WITHIN DIMENSIONS		THIS DRAWING CONTAINS INFORMATION THAT IS PROPRIETARY TO MOLEX INCORPORATED AND SHOULD NOT BE USED WITHOUT WRITTEN PERMISSION		

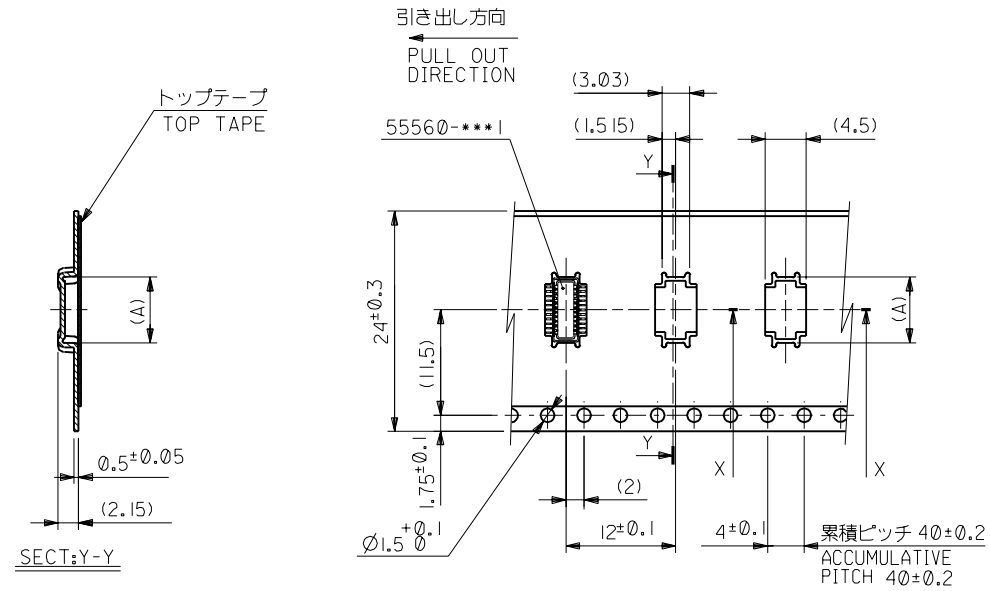


注記 NOTES:

1. 使用材料 MATERIAL  
 ウェハー: 液晶ポリマー ガラス充填 ,UL94V-0(黒)  
 WAFER : LIQUID CRYSTAL POLYMER  
 (GLASS FILLED), UL94V-0 (COLOR: BLACK)  
 ピン : 黄銅 (t=0.15)  
 PIN : BRASS (t=0.15)
2. メッキ仕様 PLATING  
 金メッキ 0.25 MICROMETER MINIMUM (コンタクト部)  
 GOLD 0.25 MICROMETER MINIMUM (CONTACT AREA).  
 金メッキ 0.4 MICROMETER MAXIMUM (テール部)  
 GOLD 0.4 MICROMETER MAXIMUM (TAIL AREA).  
 下地メッキ: ニッケルメッキ 1.5 MICROMETER MINIMUM  
 UNDER PLATING : NICKEL 1.5 MICROMETER MINIMUM.
3. (全極数/2) = 偶数の場合に適用。  
 APPLY FOR (CIRCUIT/2)=EVEN.
4. 嵌合相手: 54722 シリーズ, 54037 シリーズ  
 MATE WITH : 54722 SERIES, 54037 SERIES.
5. テール平坦度は、0.1 MAXIMUM  
 TAIL COPLANARITY TO BE 0.1 MAXIMUM.

嵌合断面図 (参考)  
 MATED DRAWING (REF.)

REVISED EC NO: J2012-0135 DRWN: YON002 CHKD: TASAKAWA APPR: MSASAO	2011/07/01 2011/07/01 2011/07/29	GENERAL TOLERANCES (UNLESS SPECIFIED)		DIMENSION STYLE MM ONLY		SCALE ---	DESIGN UNITS METRIC	THIRD ANGLE PROJECTION		
		10 UNDER	± 0.20	DRAWN BY SAIHARA	DATE 2000/10/05	TITLE 0.5 B-T-O-B CONN PLUG ASSY (HGT=1.5)				
		10 OVER 30 UNDER	± 0.25	CHECKED BY MSASAO	DATE 2003/03/31	APPROVED BY MSASAO 2003/03/31				
		30 OVER	± 0.30	MATERIAL NO. SEE SHEET 1		DOCUMENT NO. SD-55560-006		SHEET NO. 2 OF 2		
ANGULAR ±3 °		DRAFT WHERE APPLICABLE MUST REMAIN WITHIN DIMENSIONS		THIS DRAWING CONTAINS INFORMATION THAT IS PROPRIETARY TO MOLEX INCORPORATED AND SHOULD NOT BE USED WITHOUT WRITTEN PERMISSION						



24mm幅キャリアテープ  
24mm WIDTH CARRIER TAPE

24	25.5	7.15	55560-0228	22
キャリアテープ幅 CARRIER TAPE WIDTH		B	(A)	種数 CIRCUIT
MODEL NO.	55560-***8		DIMENSIONS:	

DO NOT SCALE DRAWING

④NO. DRWN: CHK: APPR:	④NO. DRWN: CHK: APPR:	④NO. DRWN: CHK: APPR:	REVISED ④NO. JC2001-0604 DRWN: R.SHINA '01/01/30 CHK: T.IITO APPR: M.FUKUSHIMA	PROPOSED ④NO. JC2001-0402 DRWN: S.AIHARA '00/11/28 CHK: T.IITO APPR: M.FUKUSHIMA	MATERIAL 材料 SHEET 1 OF 2 参照 REFER TO SHEET 1 OF 2	GENERAL TOLERANCES: (UNLESS SPECIFIED) 一般公差	SCALE 1:1	DESIGN UNITS <input checked="" type="checkbox"/> mm <input type="checkbox"/> INCH	PROJECTION <input checked="" type="checkbox"/> FIRST ANGLE	DIMENSIONS: <input type="checkbox"/> mm <input type="checkbox"/> INCH <input checked="" type="checkbox"/> mm ONLY	SHT REV
④NO. DRWN: CHK: APPR:	④NO. DRWN: CHK: APPR:	④NO. DRWN: CHK: APPR:	REVISED ④NO. JC2001-0604 DRWN: R.SHINA '01/01/30 CHK: T.IITO APPR: M.FUKUSHIMA	PROPOSED ④NO. JC2001-0402 DRWN: S.AIHARA '00/11/28 CHK: T.IITO APPR: M.FUKUSHIMA	FINISH 仕上げ	10 UNDER 未満	10 OVER 以上	30 UNDER 未満	30 OVER 以上	ANGLE 角度	DRAWN BY & DATE S.AIHARA '00/11/28
WIRE RANGE 適用線径範囲	INS. RANGE 被覆外径	WIRE RANGE 適用線径範囲	INS. RANGE 被覆外径	WIRE RANGE 適用線径範囲	WIRE RANGE 適用線径範囲	WIRE RANGE 適用線径範囲	WIRE RANGE 適用線径範囲	WIRE RANGE 適用線径範囲	WIRE RANGE 適用線径範囲	WIRE RANGE 適用線径範囲	WIRE RANGE 適用線径範囲

DRAWN BY & DATE S.AIHARA '00/11/28	CHECKED BY & DATE T.IITO '01/01/30	APPROVED BY & DATE M.FUKUSHIMA '01/01/30	CAD FILENAME 55560008.S03	MATERIAL NO. SEE CHART	DRAWING NO. SD-55560-008	SHEET NO. 3 OF 3	SIZE B
TITLE: 0.5 B-To-B Conn PLUG Assy (Hgt=1.5) Embstp Pkg							
MOLEX INCORPORATED							
THIS DRAWING CONTAINS INFORMATION THAT IS PROPRIETARY TO MOLEX INCORPORATED AND SHOULD NOT BE USED WITHOUT WRITTEN PERMISSION.							