

EAGLE PLASTIC DEVICES Nylon Hardware



RoHS Compliant This page of product is compliant.

SPACERS

Standard Spacers

All standard nylon spacers can be tapped two thread sizes larger than the screw size listed. * Nylon 6/6

MOUSER STOCK NO.	Fig.	Screw Size	Dimensions: in.			Price Each		
			A	B	L	1	100	1000
561-KSP2	A	4	.187	.115	.125	.22	.08	.06
561-KSP4	A	4	.187	.115	.187	.23	.10	.07
561-KSP6	A	4	.187	.115	.250	.24	.12	.09
561-KSP8	A	4	.187	.115	.312	.23	.10	.08
561-KSP10	A	4	.187	.115	.375	.23	.10	.07
561-K4.125	A	4	.250	.115	.125	.23	.12	.09
561-K4.187	A	4	.250	.115	.187	.24	.12	.09
561-K4.25	A	4	.250	.115	.250	.16	.08	.06
561-K4.375	A	4	.250	.115	.375	.19	.07	.05
561-K4.50	A	4	.250	.115	.500	.20	.10	.07
561-K4.625	A	4	.250	.115	.625	.31	.12	.10
561-K4.75	A	4	.250	.115	.750	.28	.10	.08
561-K41.00	A	4	.250	.115	1.000	.39	.15	.12
561-KSP312	A	4	.250	.115	1.250	.58	.29	.22
561-K6.25	A	6	.250	.140	.250	.16	.06	.05
561-K6.375	A	6	.250	.140	.375	.20	.08	.06
561-K6.437	A	6	.250	.140	.437	.24	.12	.09
561-K6.50	A	6	.250	.140	.500	.23	.102	.071
561-K6.625	A	6	.250	.140	.625	.25	.13	.11
561-K6.75	A	6	.250	.140	.750	.35	.12	.10
561-K6.875	A	6	.250	.140	.875	.37	.18	.12
561-K61.00	A	6	.250	.140	1.000	.41	.16	.13
561-KSP92	A	6	.312	.140	.125	.22	.11	.08
561-K8.25	A	8	.250	.171	.250	.15	.06	.04
561-K8.375	A	8	.250	.171	.375	.26	.12	.09
561-K8.50	A	8	.250	.171	.500	.26	.12	.09
561-K8.625	A	8	.250	.171	.625	.29	.11	.08
561-K8.75	A	8	.250	.171	.750	.36	.13	.10
561-K8.875	A	8	.250	.171	.875	.37	.14	.11
561-K81.00	A	8	.250	.171	1.000	.40	.15	.12
561-KSP97	A	8	.312	.171	.187	.22	.08	.06
561-KSP117	A	8	.312	.171	.500	.22	.08	.06
561-KSP102	A	10	.312	.194	.250	.22	.11	.08
561-KSP110	A	10	.312	.194	.375	.22	.081	.061
561-KSP114	A	10	.312	.194	.437	.23	.103	.082
561-KSP160	A	10	.375	.194	.125	.22	.09	.07
561-KSP163	A	10	.375	.194	.187	.22	.08	.06
561-KSP166	A	10	.375	.194	.250	.24	.10	.07
561-KSP169	A	10	.375	.194	.312	.22	.08	.06
561-KSP172	A	10	.375	.194	.375	.22	.08	.06
561-KSP178	A	10	.375	.194	.500	.23	.09	.07
561-KSP190	A	10	.375	.194	.750	.25	.12	.09
561-KSP202	A	10	.375	.194	1.000	.27	.11	.08
561-KSP205	A	10	.500	.194	.125	.22	.08	.06
561-KSP220	A	10	.500	.194	.312	.23	.09	.07
561-KSP225	A	10	.500	.194	.375	.23	.09	.07
561-KSP235	A	10	.500	.194	.500	.25	.10	.08

Hex Tapped Spacers

On spacer 3/4" and longer, tap is 3/8" from each end.

MOUSER STOCK NO.	Fig.	Screw Size	L Length (in.)	Price Each		
				1	100	1000
561-L4.25	D	4-40	.250	.48	.19	.15
561-L4.375	D	4-40	.375	.55	.21	.17
561-L4.50	D	4-40	.500	.55	.19	.15
561-L4.625	D	4-40	.625	.56	.21	.17
561-L4.75	D	4-40	.750	.68	.25	.20
561-L4.875	D	4-40	.875	.82	.29	.23
561-L4.10	D	4-40	1.000	.73	.27	.21
561-L6.25	D	6-32	.250	.64	.22	.18
561-L6.375	D	6-32	.375	.53	.21	.16
561-L6.50	D	6-32	.500	.61	.22	.17
561-L6.625	D	6-32	.625	.56	.27	.19
561-L6.75	D	6-32	.750	.67	.25	.19
561-L6.875	D	6-32	.875	.82	.30	.23
561-L6.10	D	6-32	1.000	.72	.28	.21
561-L8.25	D	8-32	.250	.62	.22	.17
561-L8.375	D	8-32	.375	.63	.23	.18
561-L8.50	D	8-32	.500	.68	.25	.20
561-L8.625	D	8-32	.625	.66	.29	.21
561-L8.75	D	8-32	.750	.80	.29	.22
561-L8.875	D	8-32	.875	.84	.32	.25
561-L8.10	D	8-32	1.000	.86	.40	.29

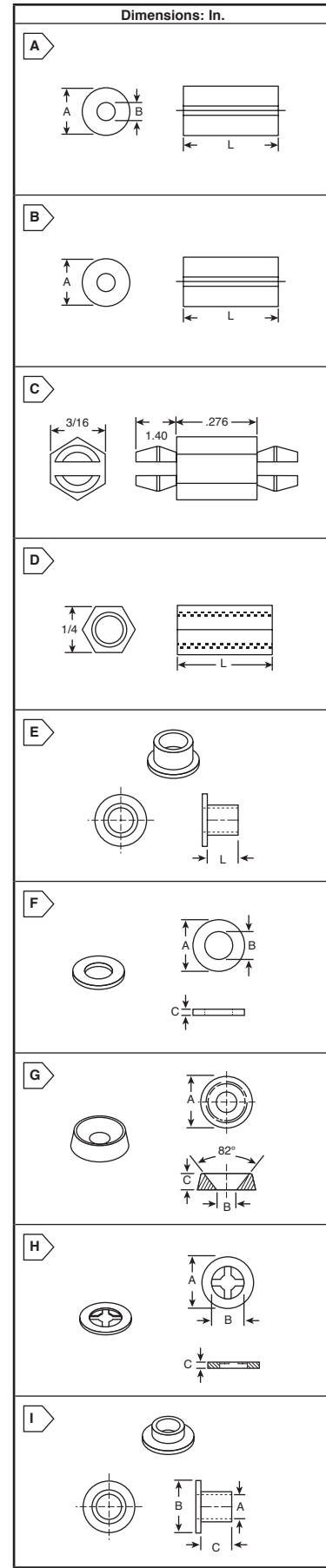
SCREW INSULATORS

Nylon screw insulators are used to isolate metal screws electrically and reduce corrosion. They may also be used as light load bearings in many applications.

MOUSER STOCK NO.	Fig.	Screw Size	L Length (in.)	Price Each			
				1	100	500	1000
561-04006	E	4	.063	.10	.07	.05	.04
561-04012	E	4	.125	.09	.062	.052	.041
561-06004	E	6	.047	.10	.05	.04	.03
561-06012	E	6	.125	.09	.05	.04	.03
561-06018	E	6	.188	.08	.045	.035	.023
561-06025	E	6	.25	.08	.05	.04	.03
561-06050	E	6	.50	.09	.052	.041	.031
561-08012	E	8	.125	.10	.07	.052	.031
561-08025	E	8	.25	.10	.07	.05	.03
561-08037	E	8	.375	.10	.07	.052	.031
561-08050	E	8	.50	.11	.08	.06	.04
561-10014	E	10	.141	.10	.07	.05	.04
561-10025	E	10	.25	.10	.07	.05	.04
561-10037	E	10	.375	.09	.06	.04	.03
561-10075	E	10	.75	.09	.06	.042	.031
561-25012	E	1/4	.125	.09	.07	.052	.041
561-25025	E	1/4	.25	.09	.06	.04	.03
561-25037	E	1/4	.375	.09	.063	.043	.032
561-25050	E	1/4	.50	.09	.07	.05	.03
561-25075	E	1/4	.75	.10	.07	.05	.04

WASHERS

MOUSER STOCK NO.	Fig.	Screw Size	Dimensions: in.			Price Each		
			A	B	C	1	100	1000
Standard Flat Washers								
561-D232	F	2	.250	.090	.032	.06	.03	.02
561-D262	F	2	.250	.090	.062	.06	.03	.02
561-D432	F	4	.250	.115	.032	.06	.03	.02
561-D462	F	4	.250	.115	.062	.08	.04	.03
561-D4125	F	4	.250	.115	.125	.10	.07	.05
561-D632	F	6	.312	.140	.032	.08	.04	.03
561-D662	F	6	.312	.140	.062	.08	.04	.03
561-D6125	F	6	.312	.140	.125	.09	.06	.04
561-D832	F	8	.375	.171	.032	.07	.03	.02
561-D862	F	8	.375	.171	.062	.07	.04	.03
561-D8125	F	8	.375	.171	.125	.09	.06	.04
561-D1032	F	10	.375	.194	.032	.06	.03	.02
561-D1062	F	10	.375	.194	.062	.09	.05	.03
561-D10125	F	10	.375	.194	.125	.09	.06	.04
561-D2562	F	1/4	.500	.257	.062	.08	.05	.03
561-D31262	F	5/16	.500	.317	.062	.08	.05	.03
561-D37562	F	3/8	.625	.380	.062	.07	.04	.02
561-D43762	F	7/16	.750	.443	.062	.08	.05	.041
561-D50062	F	1/2	.750	.505	.062	.09	.05	.04
Finishing Washers								
561-SFW6	G	6	.437	.143	.100	.20	.10	.073
561-SFW8	G	8	.510	.171	.115	.22	.11	.078
561-SFW10	G	10	.580	.191	.152	.22	.12	.083
Retaining Washers								
561-04032	H	4	.266	.156	.032	.07	.03	.02
561-04062	H	4	.266	.156	.062	.08	.05	.03
561-06032	H	6	.328	.198	.032	.07	.03	.02
561-06062	H	6	.328	.198	.062	.08	.04	.03
561-08032	H	8	.391	.235	.032	.09	.05	.03
561-10032	H	10	.453	.277	.032	.07	.04	.02
561-10062	H	10	.453	.277	.062	.08	.05	.03
Standard Shoulder Washers								
561-SW6	I	6	.146	.328	.040	.10	.05	.03
561-SW8	I	8	.174	.375	.050	.09	.06	.042
561-SW10	I	10	.201	.437	.050	.09	.06	.03
561-SW25	I	1/4	.260	.562	.060	.10	.07	.03
561-SW375	I	3/8	.385	.750	.060	.11	.08	.031



Round Tapped Spacers

Molded from type 6/6 nylon and then machine tapped, these spacers are low cost insulators that can be used in many electrical applications.

MOUSER STOCK NO.	Fig.	Screw Size	Dimensions: in.		Price Each			
			A	L	1	100	1000	5000
561-TSP1	B	4-40	.250	.250	.28	.19	.14	.12
561-TSP2	B	4-40	.250	.375	.30	.21	.17	.15
561-TSP3	B	4-40	.250	.500	.30	.21	.17	.14
561-TSP36	B	4-40	.250	.625	.28	.19	.15	.13
561-TSP4	B	4-40	.250	.750	.36	.26	.21	.19
561-TSP37	B	4-40	.250	.875	.34	.24	.19	.17
561-TSP5	B	4-40	.250	1.000	.34	.24	.19	.17
561-TSP7	B	6-32	.250	.375	.28	.19	.15	.13
561-TSP8	B	6-32	.250	.500	.30	.21	.17	.15
561-TSP38	B	6-32	.250	.625	.28	.19	.15	.13
561-TSP9	B	6-32	.250	.750	.29	.21	.16	.14
561-TSP39	B	6-32	.250	.875	.33	.24	.18	.16
561-TSP10	B	6-32	.250	1.000	.27	.18	.14	.11
561-TSP11	B	8-32	.250	.250	.26	.17	.13	.11
561-TSP13	B	8-32	.250	.500	.28	.20	.16	.13
561-TSP40	B	8-32	.250	.625	.28	.19	.15	.13
561-TSP14	B	8-32	.250	.750	.33	.24	.19	.17
561-TSP15	B	8-32	.250	1.000	.33	.24	.18	.16

Locking Hex Spacer

Economic locking spacers eliminate screws, nuts, and lock washers in mounting P.C. boards on metal chassis or stacking in multiple tiers. Unique locking clips provide a mechanically secure, reusable connection in predrilled or punched holes while saving considerable assembly time.

MOUSER STOCK NO.	Fig.	Description	Price Each			
			1	100	1000	5000
561-MPH276	C	Hex locking spacer	.49	.23	.17	.15

© Copyright 2012 Mouser Electronics

© Copyright 2012 Mouser Electronics