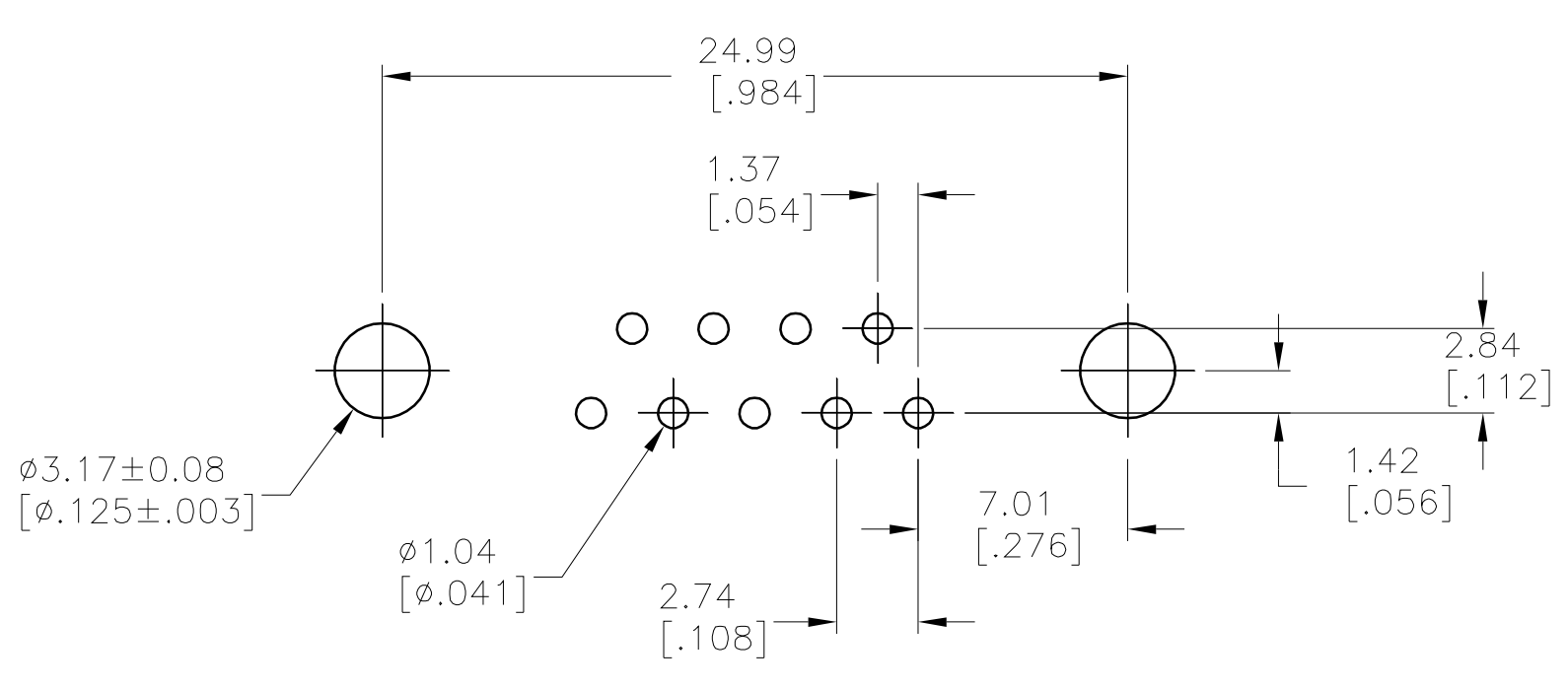
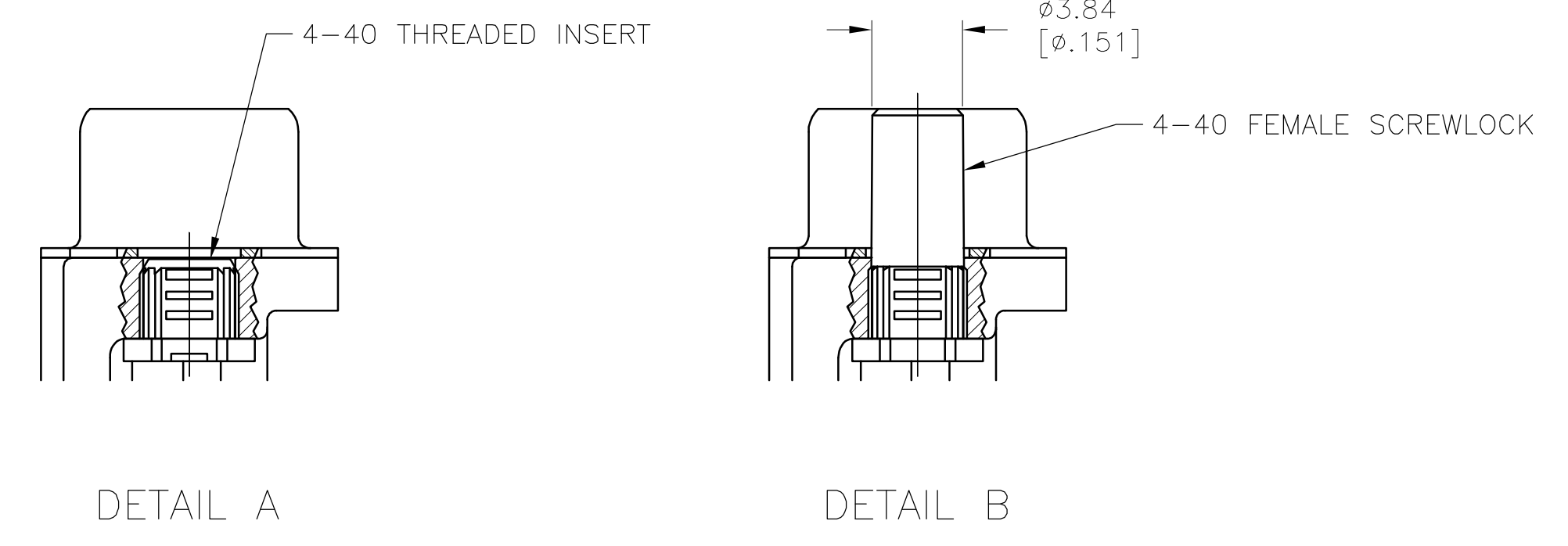
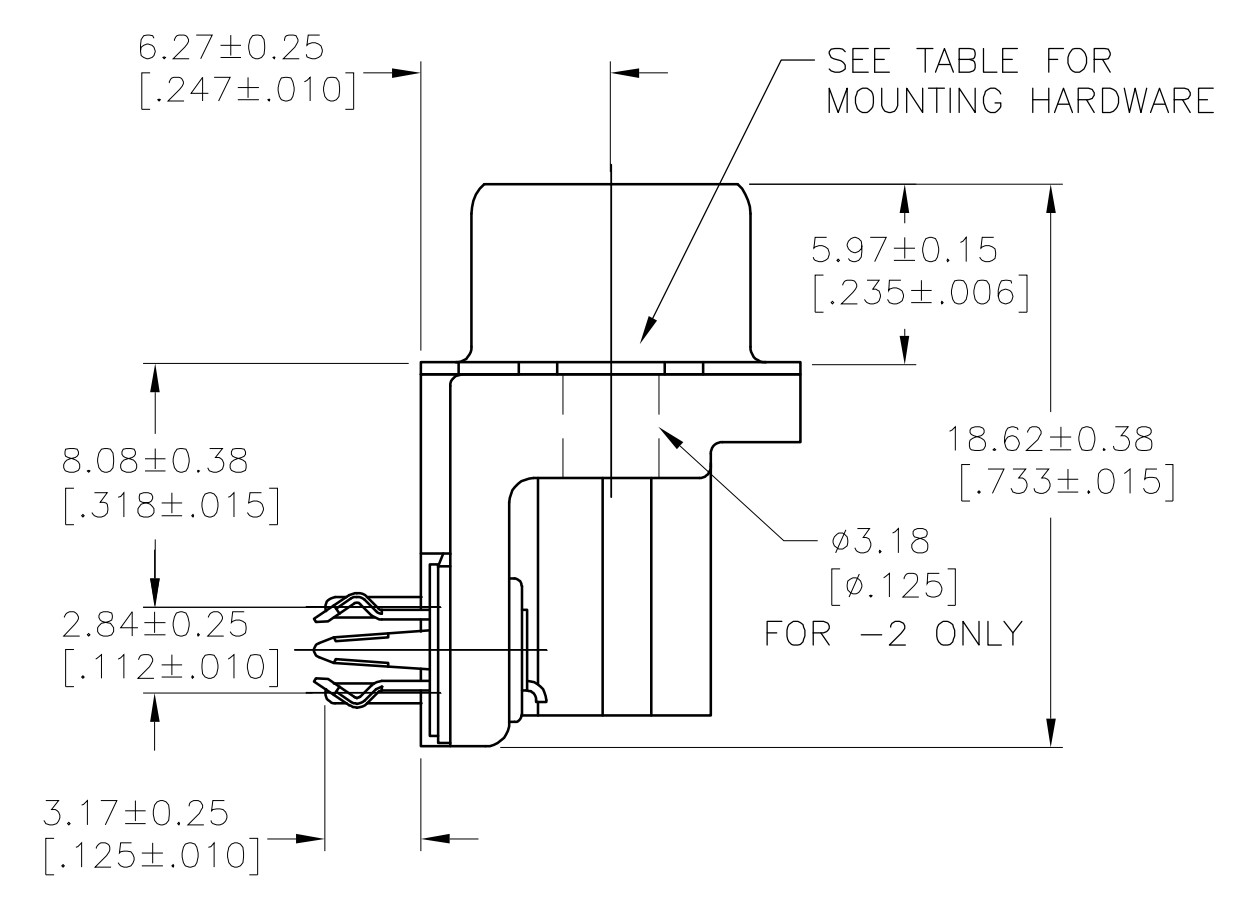
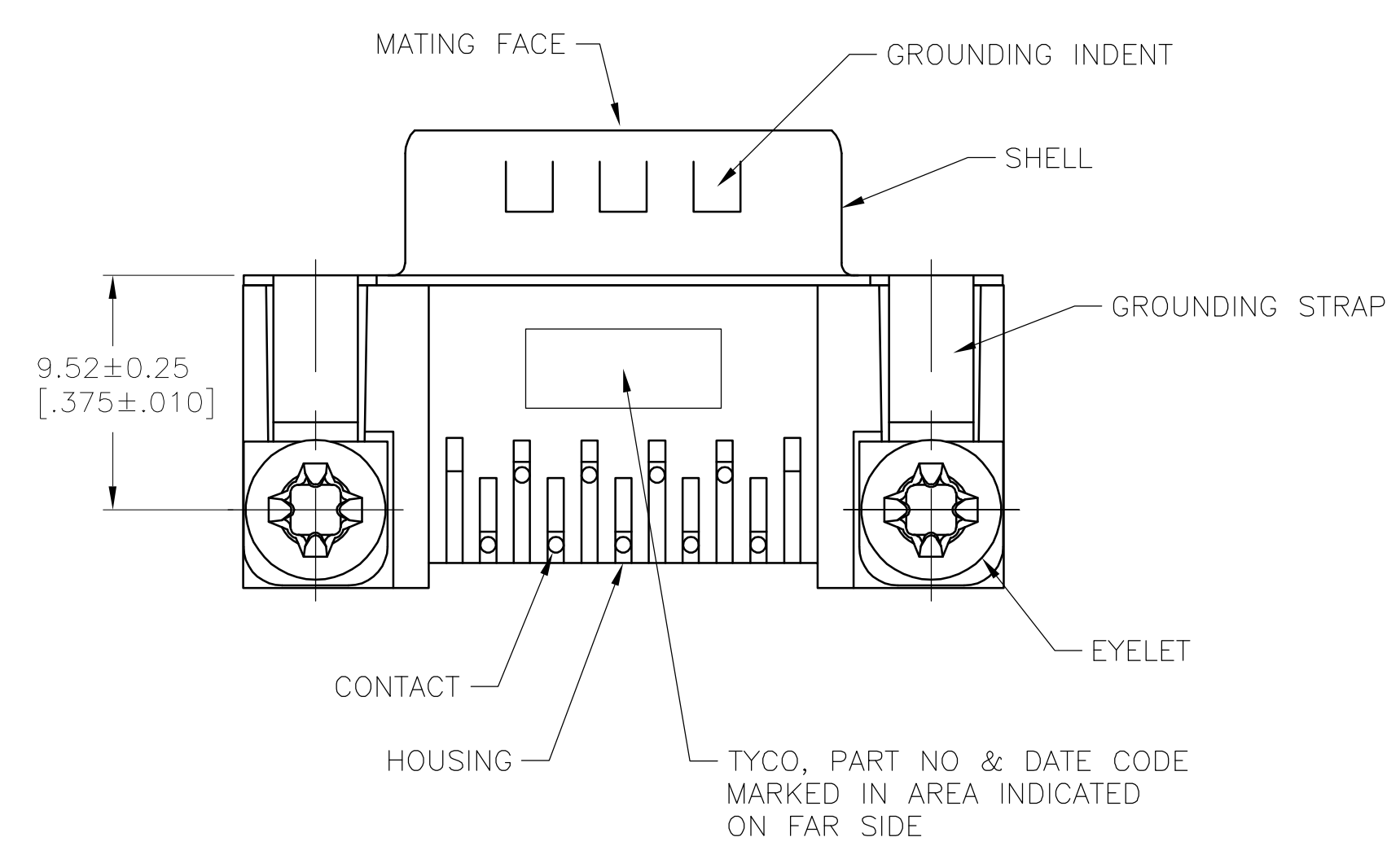


- △ HOUSING: NYLON OR POLYESTER, FLAME RETARDANT, 94V-0 RATED, COLOR BLACK.
SHELL: CARBON STEEL.
CONTACTS: BRASS.
EYELETS: BRASS.
BOARDLOCKS: COPPER ALLOY.
INSERTS: ZINC.
SCREWLOCKS: ZINC.
- △ SHELL: .00254 [.000100] MIN TIN OVER .00127 [.000050] MIN COPPER.
CONTACTS: SEE TABLE.
EYELETS: .00508 [.000200] MIN TIN OVER COPPER FLASH.
BOARDLOCKS: .00508 [.000200] MIN TIN OVER .00127 [.000050] MIN NICKEL.
INSERTS: CLEAR CHROMATE.
SCREWLOCKS: CLEAR CHROMATE.
- △ .00076 [.000030] MIN GOLD ON MATING END, .00254 [.000100] MIN TIN ON SOLDER END, ALL OVER .00127 [.000050] MIN NICKEL.
-OR-
GOLD FLASH OVER .00076 [.000030] MIN PALLADIUM NICKEL ON MATING END, .00254 [.000100] MIN TIN ON SOLDER END, ALL OVER .00127 [.000050] MIN NICKEL.
- △ GOLD FLASH ON MATING END, .00254 [.000100] MIN TIN ON SOLDER END, ALL OVER .00127 [.000050] MIN NICKEL.



RECOMMENDED PC BOARD LAYOUT
 1.57[.062] PC BOARD
 (VIEWED FROM CONNECTOR SIDE)

**COPYRIGHT 2005
 TYCO ELECTRONICS CORP
 ALL RIGHTS RESERVED**

| | | |
|---|-------------------|-------------|
| △ | SEE DETAIL B | 5747840-6 |
| △ | SEE DETAIL B | 5747840-5 |
| △ | SEE DETAIL A | 5747840-4 |
| △ | SEE DETAIL A | 5747840-3 |
| △ | NONE | 5747840-2 |
| | CONTACT FINISH | PART NUMBER |
| | MOUNTING HARDWARE | |

| | | | | | |
|--|--|---|----------------------------|--|--|
| THIS DRAWING IS A CONTROLLED DOCUMENT. | | DIN J.GERACE 07FEB05 | tyco Electronics | Tyco Electronics Corporation Harrisburg, Pa 17105 | |
| DIMENSIONS: mm[INCHES] | | CIK S.BOLASH 07FEB05 | | APVD M.WALMSLEY 07FEB05 | |
| TOLERANCES UNLESS OTHERWISE SPECIFIED: | | NAME | | | |
| 0 PLC ± - | | PRODUCT SPEC | | | |
| 1 PLC ± - | | 108-40025 | | | |
| 2 PLC ± - | | APPLICATION SPEC | | | |
| 3 PLC ± 0.13[.005] | | 114-40010 | | | |
| 4 PLC ± - ± Z | | SIZE CAGE CODE DRAWING NO RESTRICTED TO | | | |
| ANGLES | | A1 00779 C=5747840 | | | |
| FINISH | | WEIGHT | | | |
| △ | | CUSTOMER DRAWING | | | |
| | | SCALE 4:1 | | SHEET 1 OF 1 REV A | |