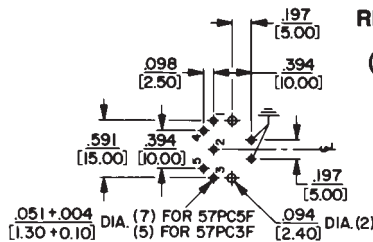
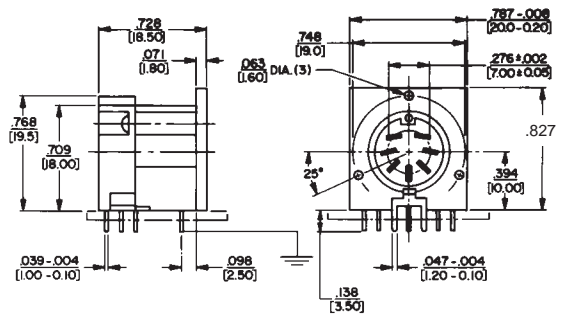
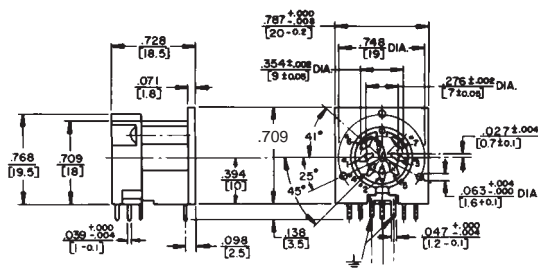
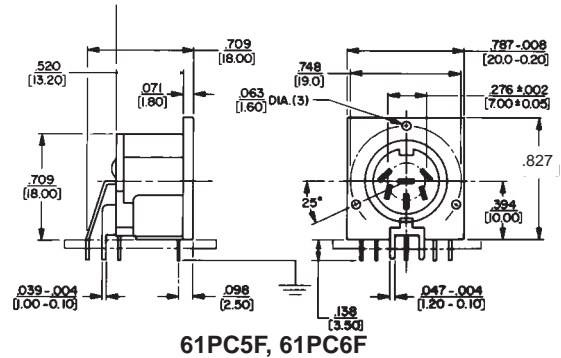
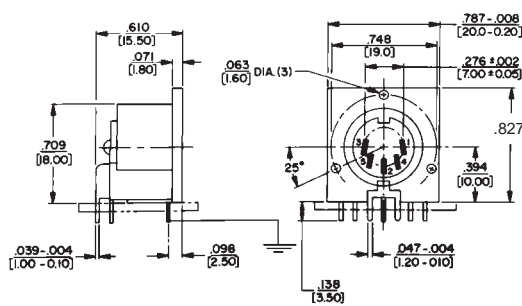
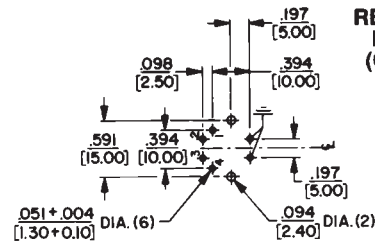


DIN RECEPTACLES

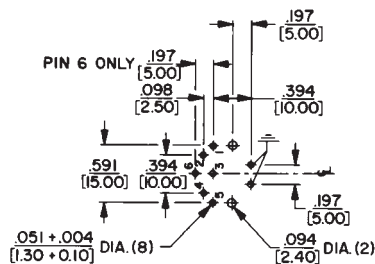
RIGHT-ANGLE RECEPTACLE for Printed Circuit Board Mounting



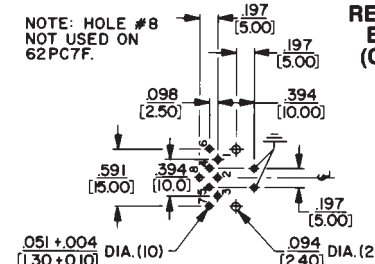
**RECOMMENDED PC
BOARD LAYOUT
(Component Side)**



**RECOMMENDED PC
BOARD LAYOUT
(Component Side)**



**RECOMMENDED PC
BOARD LAYOUT
(Component Side)**



**RECOMMENDED PC
BOARD LAYOUT
(Component Side)**

DIMENSIONS ARE FOR REFERENCE ONLY $\frac{\text{Inch}}{\text{(mm)}}$

NOTE: Contact your Switchcraft Representative for price and delivery.