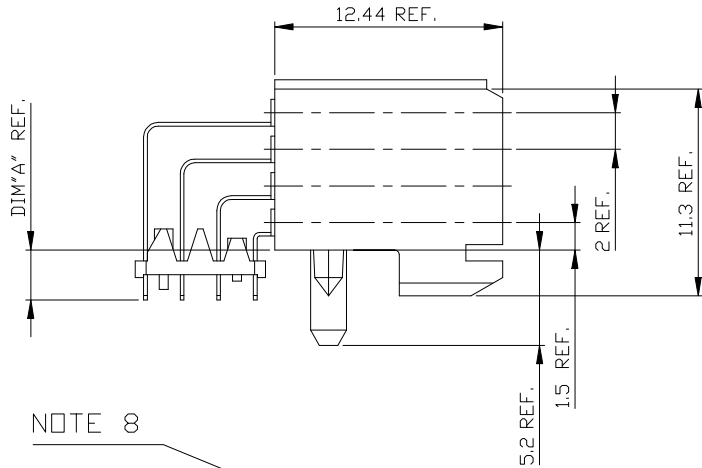
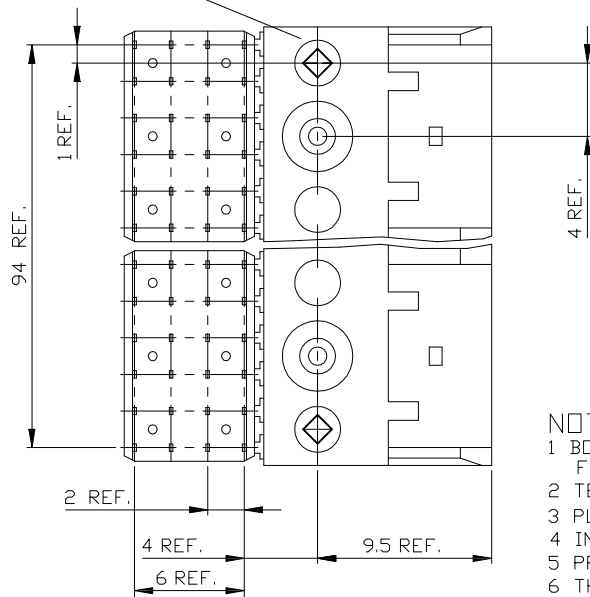


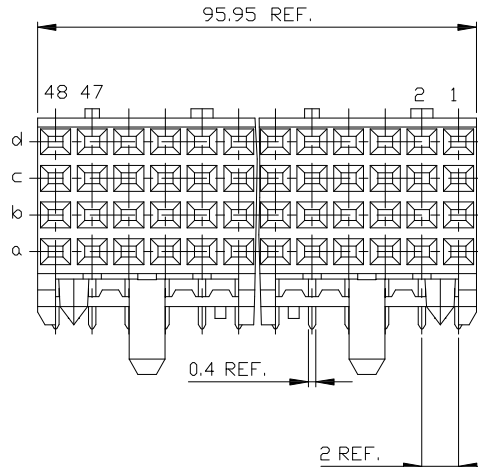
PC BOARD VERSIONS		
PRODUCTNR:	PCB THICKNESS	DIM"A"
70230-X01/X01LF	1.6	2.90
70230-X11/X11LF	2.4	3.53



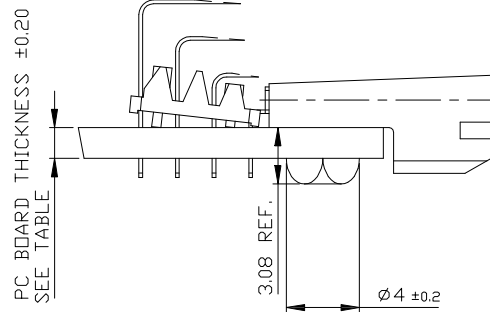
NOTE 8



PLATING CONTACT AREA:	
DASH NR:	PERFORMANCE LEVEL
-1YY/1YYLF	TELCORDIA CO
-2YY/2YYLF	CUSTOMER SPECIAL
-3YY/3YYLF	CUSTOMER SPECIAL

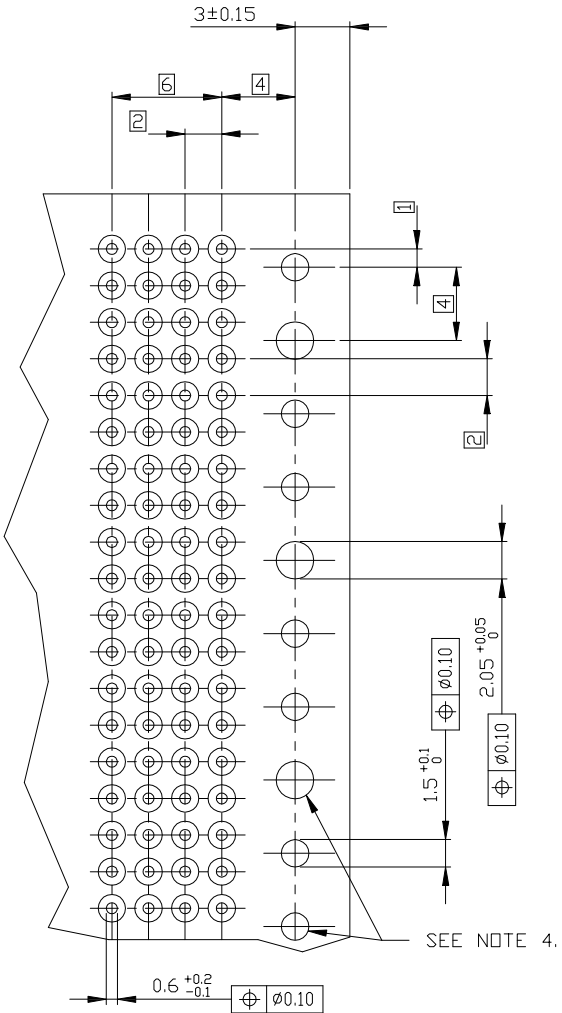


PRODUCT AFTER HOT RIVETING.



NOTES:

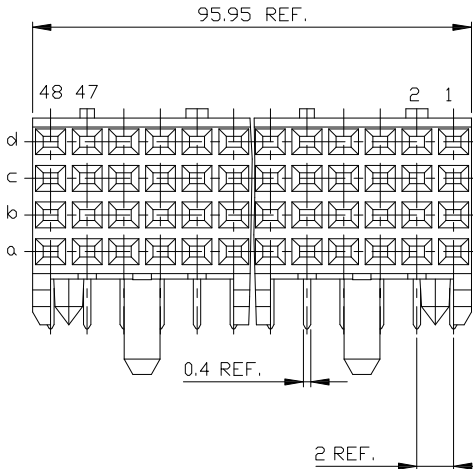
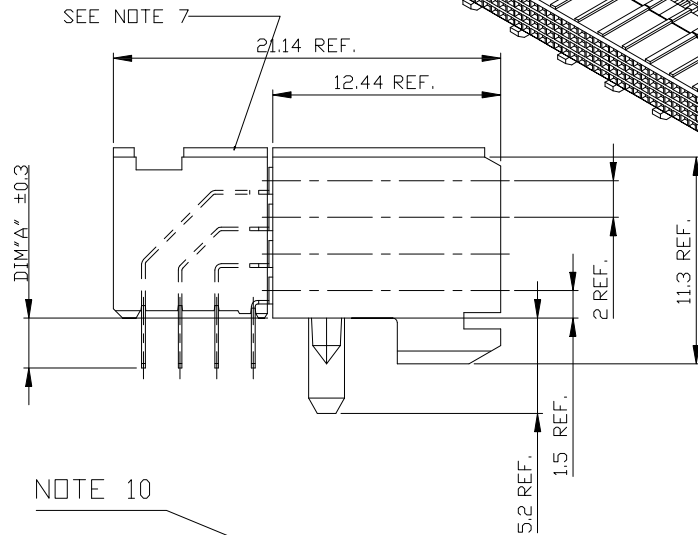
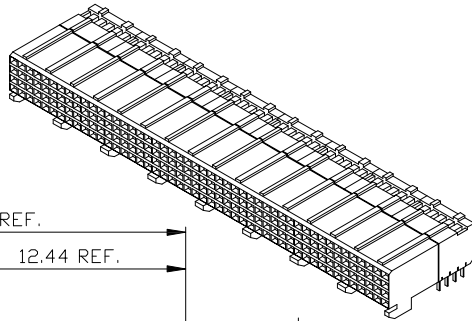
- BODY MAT'L: LIQUID CRYSTAL POLYMER 30% GLASS
FLAME RETARDANT ACC. UL 94-V0
- TERMINAL MATERIAL: PHOSPHOR BRONZE.
- PLATING SOLDER TAILS 2-8 um SnPb 90-97 OR 2-8 um PURE Sn
- INDICATED HOLES ARE UNPLATED.
- PRODUCT MARKING: PART NUMBER & BATCH ID.
- THIS PRODUCT MEETS EUROPEAN UNION DIRECTIVES AND OTHER COUNTRY REGULATIONS AS DESCRIBED IN GS-22-008.
- THE HOUSING WILL WITHSTAND EXPOSURE TO 260 DEGREE PEAK TEMPERATURE FOR 10 SECONDS IN A WAVE SOLDER APPLICATION.
- DIAMOND LOCATION PEG ARE ONLY EXISTED ON THE BOTH SIDES OF PRODUCT.



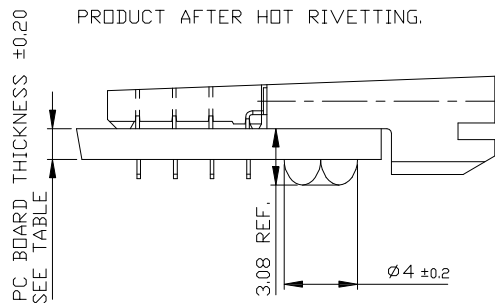
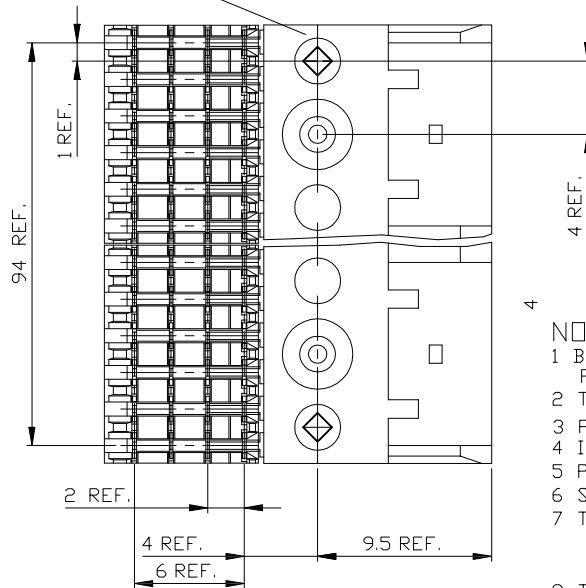
RECOMMENDED HOLE PATTERN,
COMPONENT SIDE.

mat'l code		tolerances unless otherwise specified		CUSTOMER COPY		FCG	
ltr	ecnr	nodr	date	linear	projection	title	www.ficonnection.com
K	DG04-004	Clu	041221			RA FEMALE SIGNAL	
L	DG06-0477	Cenh	11/20/060			STB 96 mm VERSION	
M	DG07-0168	Cenh	05/10/07	angles			
N	DG09-0068	Cenh	06/06/09	dir	R.Trippe	900918	product family METRAL(tm)
H	V00578	LLA	000316	chr	A van Zanten	9000918	code
J	V00847	LLA	000530	app	van Voensel	900918	size/dwg no
sheet	revision	N	N	scale	5:1	A2	70230
index	sheet	1	2				213
							sheet 1 of 3

PC BOARD VERSIONS		
PRODUCTNR:	PCB THICKNESS	DIM"A"
70230-X02/X02LF	1.6	2.90
70230-X12/X12LF	2.4	3.53

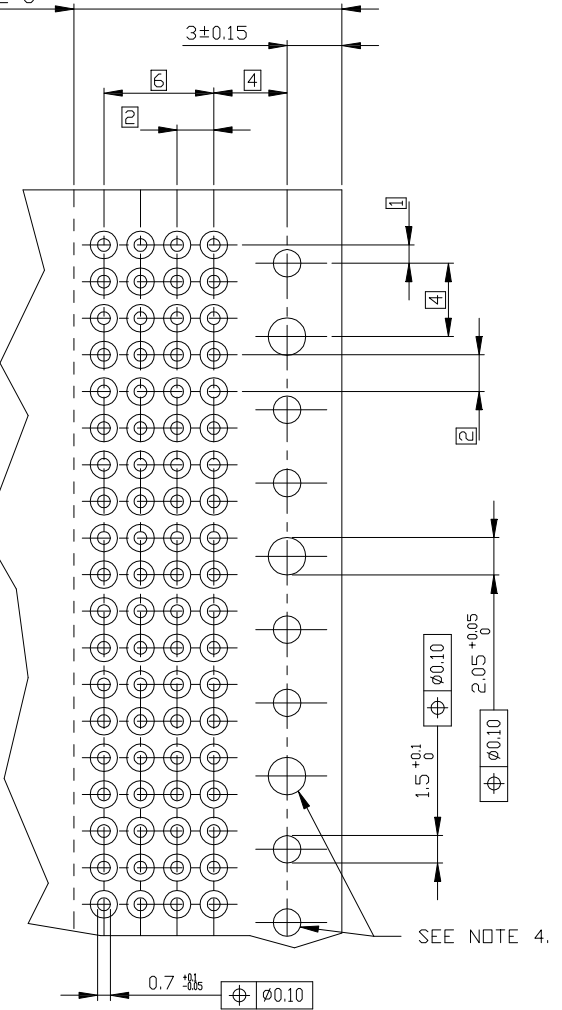


NOTE 10



PRODUCT AFTER HOT RIVETTING.

14.64 REF. SEE NOTE 6



RECOMMENDED HOLE PATTERN, COMPONENT SIDE.

NOTES:

- 1 BODY MAT'L: LIQUID CRYSTAL POLYMER 30% GLASS
FLAME RETARDANT ACC. UL 94-V0
- 2 TERMINAL MATERIAL: PHOSPHOR BRONZE.
- 3 PLATING SOLDER TAILS 2-8 鍍 SnPb 90-97 OR 2-8 鍍 PURE Sn
- 4 INDICATED HOLES ARE UNPLATED.
- 5 PRODUCT MARKING: PARTNUMBER & BATCH ID.
- 6 SET BACK FOR PRESS BLOCK.
- 7 TOP SURFACE OF PRESS BLOCK MAY EXTEND UP TO 0.4MM HIGHER THAN HOUSING. THIS MAY AFFECT THE TAIL LENGTH BEFORE APPLICATION TO A BOARD
- 8 THIS PRODUCT MEETS EUROPEAN UNION DIRECTIVES AND OTHER COUNTRY REGULATIONS AS DESCRIBED IN GS-22-008 .
- 9 THE HOUSING WILL WITHSTAND EXPOSURE TO 260DEGREE PEAK TEMPERATURE FOR 10 SECONDS IN A WAVE SOLDER APPLICATION.
- 10 DIAMOND LOCATION PEG ARE ONLY EXISTED ON THE BOTH SIDES OF PRODUCT.

PLATING CONTACT AREA:

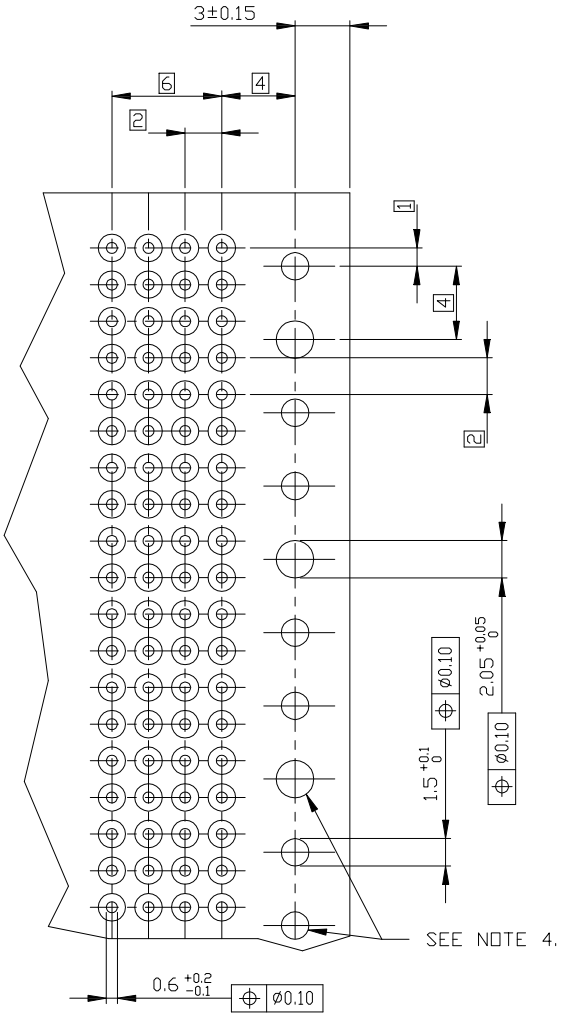
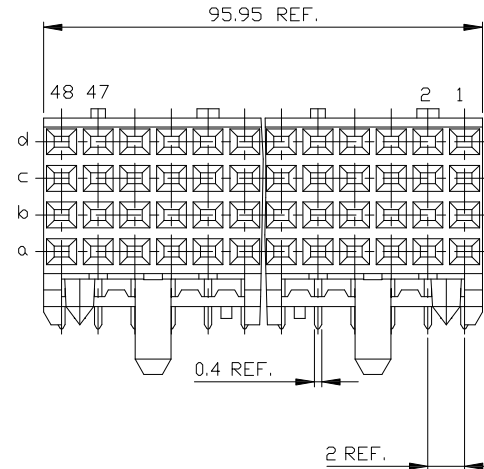
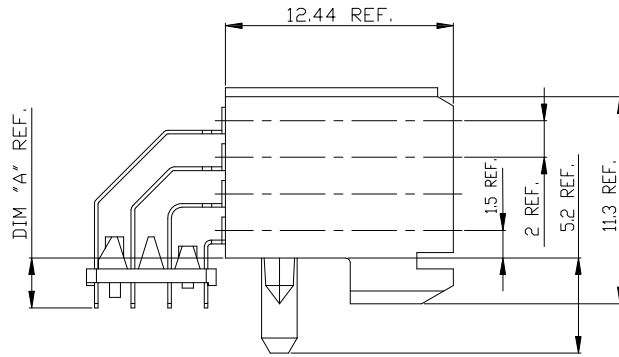
DASH NR:	PERFORMANCE LEVEL
-1YY/1YLF	TELCORDIA CO
-2YY/2YLF	CUSTOMER SPECIAL
-3YY/3YLF	CUSTOMER SPECIAL

nat'l code		tolerances unless otherwise specified		CUSTOMER COPY		 www.fciconnection.com	
ltr	ecn	nodr	date	linear	projection	title	RA FEMALE SIGNAL
N				angles		STB 96 mm VERSION	
				dir	D. de Bil	970529	product family METRAL(tm)
				engr	P. Schalk	970529	code 213
				chr	P. Schalk	970529	sheet 2 of -
				app	H. Cooljans	970529	
sheet	revision			scale	5:1		
index	sheet						

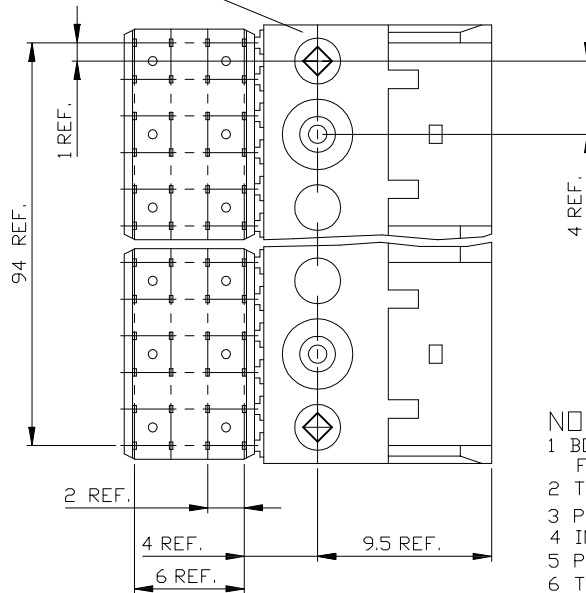
All rights strictly reserved. Reproduction or use in any form without written authority from the proprietor. Property of FCI B.V. © FCI B.V.



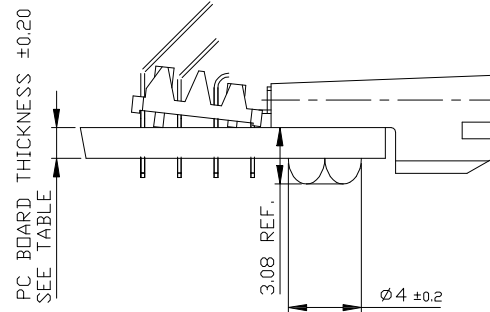
PC BOARD VERSIONS		
PRODUCTNR:	PCB THICKNESS	DIM"A"
70230-X03/X03LF	1.6	2.90
70230-X13/X13LF	2.4	3.53



NOTE 11



PRODUCT AFTER HOT RIVETTING.



NOTES:

- 1 BODY MAT'L: LIQUID CRYSTAL POLYMER 30% GLASS
FLAME RETARDANT ACC. UL 94-V0
- 2 TERMINAL MATERIAL: PHOSPHOR BRONZE.
- 3 PLATING SOLDER TAILS 2-8 鍍 SnPb 90-97 OR 2-8 鍍 PURE Sn
- 4 INDICATED HOLES ARE UNPLATED.
- 5 PRODUCT MARKING: PART NUMBER & BATCH ID.
- 6 THIS PRODUCT MEETS EUROPEAN UNION DIRECTIVES AND OTHER COUNTRY REGULATIONS AS DESCRIBED IN GS-22-008.
- 7 THE HOUSING WILL WITHSTAND EXPOSURE TO 260 DEGREE PEAK TEMPERATURE FOR 10 SECONDS IN A WAVE SOLDER APPLICATION.
- 8 DIAMOND LOCATION PEG ARE ONLY EXISTED ON THE BOTH SIDES OF PRODUCT.

PLATING CONTACT AREA:

DASH NR:	PERFORMANCE LEVEL
-1YY/1YYLF	TELCORDIA CO
-2YY/2YYLF	CUSTOMER SPECIAL
-3YY/3YYLF	CUSTOMER SPECIAL

mat'l code		tolerances unless otherwise specified		CUSTOMER CDY		FCJ	
ltr	ecn	nodr	date	linear	projection	title RA FEMALE SIGNAL STB 96 mm VERSION	
N				angles	mm	product family METRAL(tm)	code 213
				dir Heaven Cen 11/20/06	scale 5:1	product family METRAL(tm)	code 213
				engr Collins Lu 11/20/06		product family METRAL(tm)	code 213
				chr Beer Fu 11/20/06		product family METRAL(tm)	code 213
				appd Joseph Hsia 11/20/06		product family METRAL(tm)	code 213
sheet index	revision	sheet				size	dwg no 70230
							sheet 3 of-

All rights strictly reserved. Reproduction or issue in any form without written authority from the proprietor. Property of F.C.I. Inc. © F.C.I. Inc.

