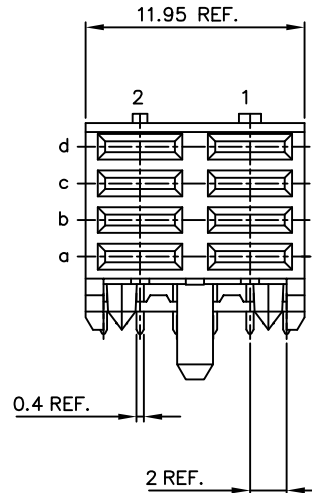
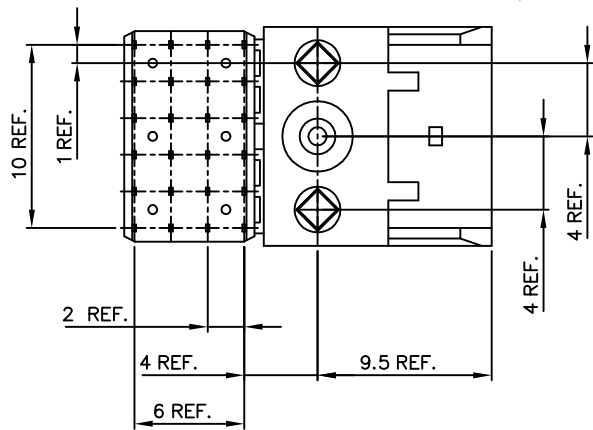
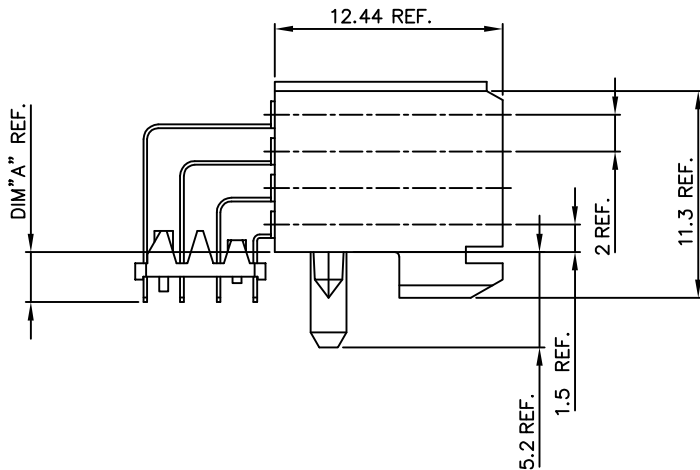
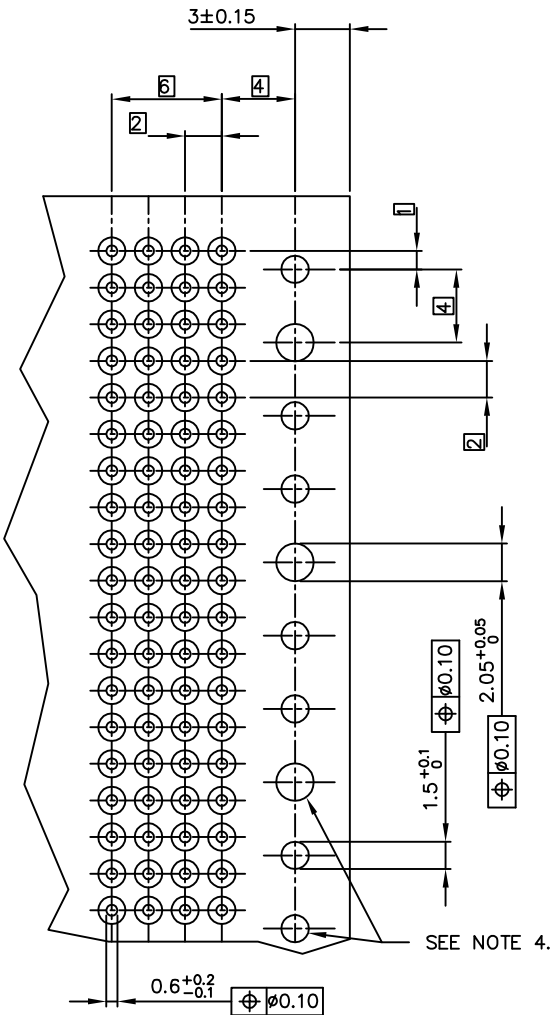
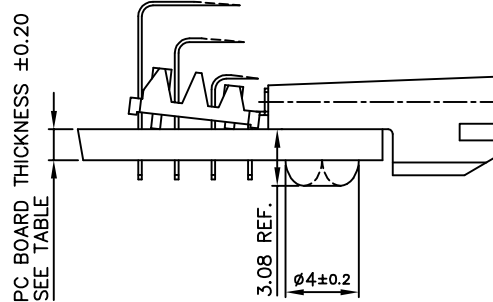


PC BOARD VERSIONS		
PRODUCTNR:	PCB THICKNESS	DIM "A"
70231-X01/X01LF	1.6	2.90
70231-X11/X11LF	2.4	3.53



PRODUCT AFTER HOT RIVETTING.



RECOMMENDED HOLE PATTERN, COMPONENT SIDE.

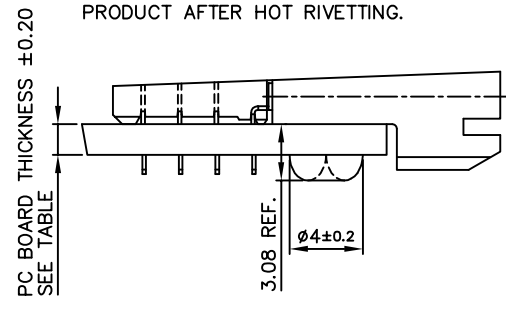
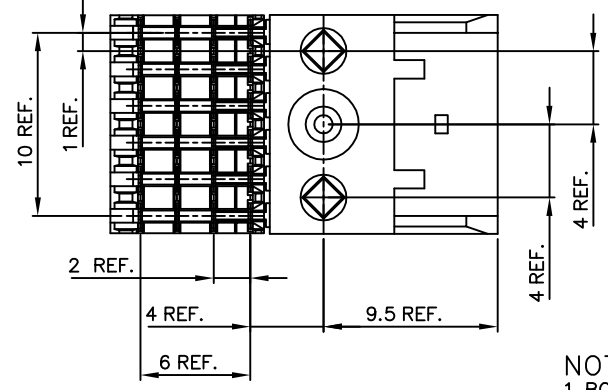
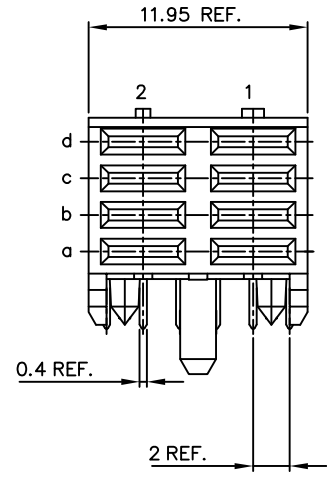
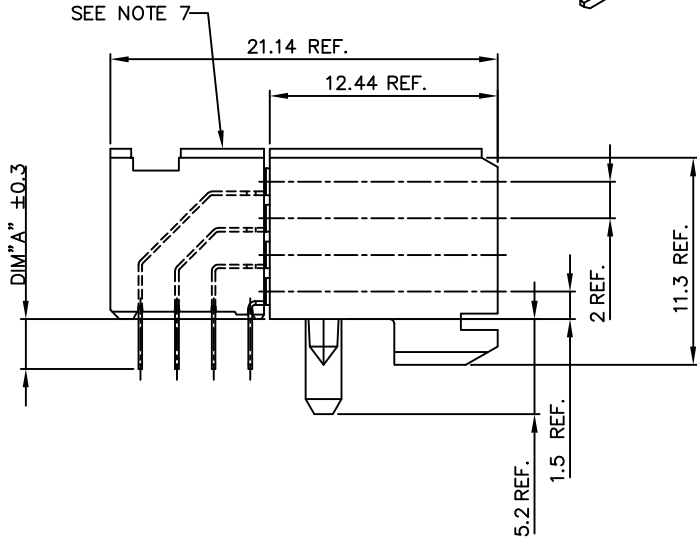
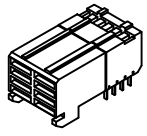
NOTES:

- BODY MAT'L: LIQUID CRYSTAL POLYMER 30% GLASS FLAME RETARDANT ACC. UL 94-V0
- TERMINAL MATERIAL: PHOSPHOR BRONZE.
- PLATING SOLDER TAILS 2-8 µm SnPb 90-97 OR 2-8 µm PURE Sn FOR LEAD FREE.
- INDICATED HOLES ARE UNPLATED.
- PRODUCT MARKING: PARTNUMBER & BATCH ID.
- THIS PRODUCT MEETS EUROPEAN UNION DIRECTIVES AND OTHER COUNTRY REGULATIONS AS DESCRIBED IN GS-22-008.
- THE HOUSING WILL WITHSTAND EXPOSURE TO 260 DEGREE PEAK TEMPERATURE FOR 10 SECONDS IN A WAVE SOLDER APPLICATION.

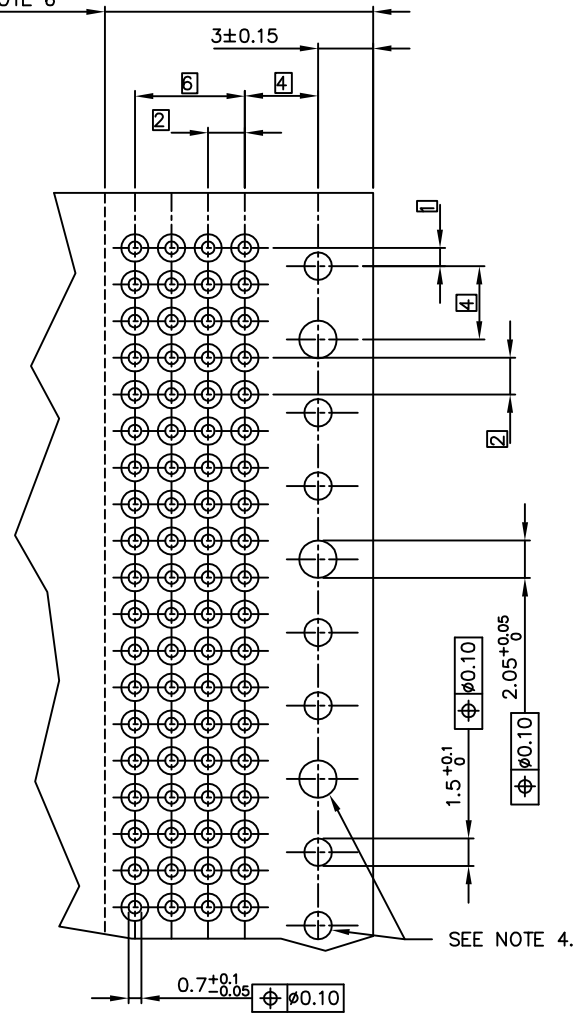
PLATING CONTACT AREA:	
DASH NR:	PERFORMANCE LEVEL:
-1YY/1YYLF	TELCORDIA CO
-2YY/2YYLF	CUSTOMER SPECIAL
-3YY/3YYLF	CUSTOMER SPECIAL
-9YY/9YYLF	TELCORDIA CO

mat'l. code		tolerances unless otherwise specified		CUSTOMER COPY		ELECTRONICS	
ltr	ec'n no	dr	date	linear	projection	file	www.falconconnect.com
K	0005-0107	Clu	050510			RA FEMALE POWER	
L	0007-0458	Cent	11/15/07	angles		STB 12 mm VERSION	
F	H40118	EFE	940211	dr	R. Trijpe	900918	product family METRAL(tm)
G	V70769	DOB	970602	engr	H. Bouwknecht	940308	code 213
H	V00578	LLA	000316	chr	A. van Zanten	900918	scale 5:1
J	V00847	LLA	000530	app	H. van Woensel	900918	sheet 1 of 2
sheet	revision	L	L	L	L	L	
index	sheet	1	2				

PC BOARD VERSIONS		
PRODUCTNR:	PCB THICKNESS	DIM "A"
70231-X02/X02LF	1.6	2.90
70231-X12/X12LF	2.4	3.53



14.64 REF. SEE NOTE 6



RECOMMENDED HOLE PATTERN, COMPONENT SIDE.

- NOTES:
- BODY MAT'L: LIQUID CRYSTAL POLYMER 30% GLASS
FLAME RETARDANT ACC. UL 94-V0
 - TERMINAL MATERIAL: PHOSPHOR BRONZE.
 - PLATING SOLDER TAILS 2-8 µm SnPb 90-97 OR 2-8 µm PURE Sn FOR LEAD FREE.
 - INDICATED HOLES ARE UNPLATED.
 - PRODUCT MARKING: PART NUMBER & BATCH ID.
 - SET BACK FOR PRESS BLOCK.
 - TOP SURFACE OF PRESS BLOCK MAY EXTEND UP TO 0.4MM HIGHER THAN HOUSING. THIS MAY AFFECT THE TAIL LENGTH BEFORE APPLICATION TO A BOARD
 - THIS PRODUCT MEETS EUROPEAN UNION DIRECTIVES AND OTHER COUNTRY REGULATIONS AS DESCRIBED IN GS-22-008
 - THE HOUSING WILL WITHSTAND EXPOSURE TO 260 DEGREE PEAK TEMPERATURE FOR 10 SECONDS IN A WAVE SOLDER APPLICATION.

All rights strictly reserved. Reproduction or issue in kind, in any form, without written authority from the copyright owner, is prohibited. © FCI Inc.

PLATING CONTACT AREA:	
DASH NR:	PERFORMANCE LEVEL:
-1YY/1YYLF	TELCORDIA CO
-2YY/2YYLF	CUSTOMER SPECIAL
-3YY/3YYLF	CUSTOMER SPECIAL
-9YY/9YYLF	TELCORDIA CO

mat'l. code		tolerances unless otherwise specified		CUSTOMER COPY			
ltr	ecn no	dr	date	linear	projection	title	www.fciconnect.com
				angles		RA FEMALE POWER STB 12 mm VERSION	
		dr	D. de Bli	970526	mm	product family	METRAL(tm)
		enfr	P. Schalk	970526	scale	code	213
		chr	P. Schalk	970526	5:1	sheet	2 of -
		app	H. Cooljans	970526		size	dwg no
sheet index	revision sheet					A2	70231