

MATERIALS AND FINISHES

BODY STAINLESS STEEL  
PASSIVATE

CENTER CONTACT BERYLLIUM COPPER  
PLATED GOLD

INSULATOR TEFLON

SCREW STEEL

$\phi$  1.600 ± 0.025  
.063 ± .001  
2 PLACES  
THRU

7.16 ± 0.05  
.282 ± .002

3.58 ± 0.05  
.141 ± .002  
2 PLACES

GROUND  
PAD

$\phi$  4.32  
.170  
GROUND PAD  
MINIMUM

$\phi$  2.57 ± 0.05  
.101 ± .002  
GROUND PAD

0.76 ± 0.08  
 $\phi$  .030 ± .003  
SIGNAL  
PAD

SIGNAL PAD

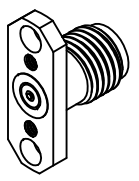
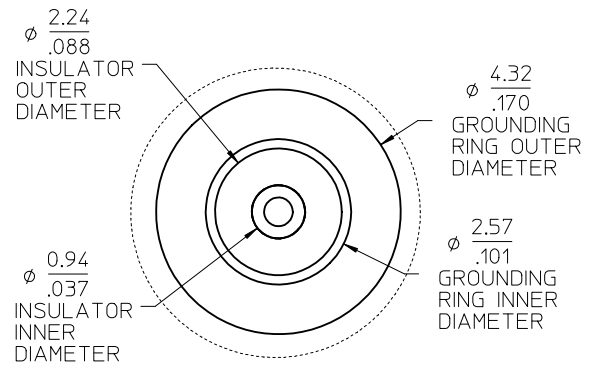
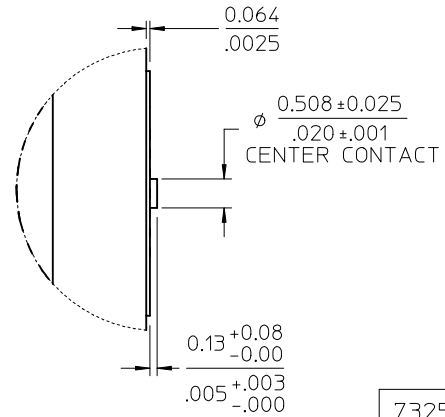
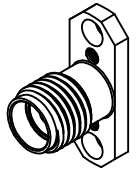
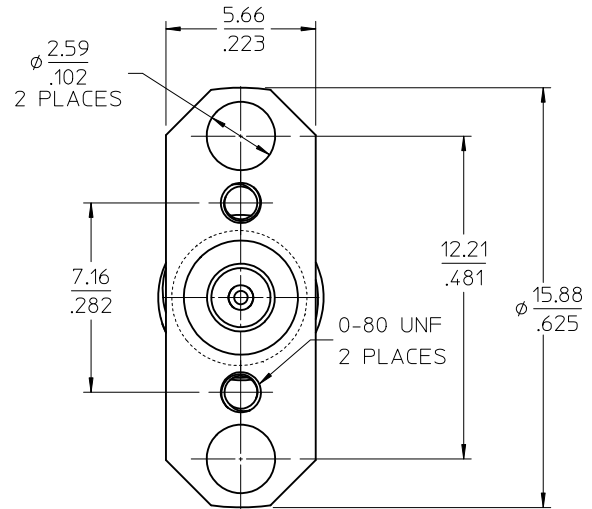
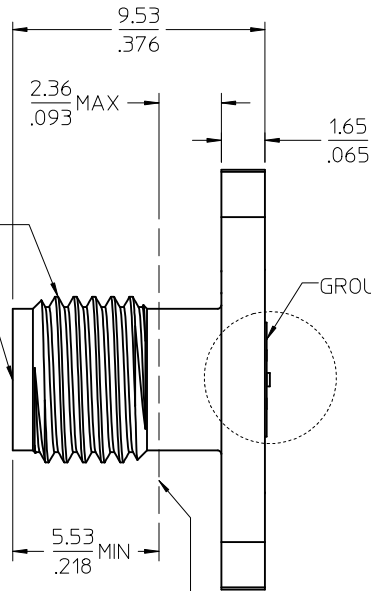
RECOMMENDED PCB LAYOUT

1/4-36 UNS-2A

SMA JACK  
INTERFACE

GROUNDING RING

MOUNTING SCREWS MUST NOT  
EXTEND BEYOND THIS POINT



PS-89675-3460	ELECTO/MECH PERFOR
MIL-STD-348A, FIG 310-2	INTERFACE
SPECIFICATION	DESCRIPTION

73251-1852	P/N 73251-1850, ONE PER BAG
73251-1850	WITHOUT SCREWS
PART NO.	DESCRIPTION

CHG: ADDED -1854	REV	DESCRIPTION
EC NO: URF2011-0448	B12	
DRWN:SSHAH		
CHKD:		
APPR: JWENER		
DATE: 2011/01/24		

QUALITY SYMBOLS	GENERAL TOLERANCES (UNLESS SPECIFIED)
▽=0	mm INCH
▽=0	4 PLACES ± --- ± ---
	3 PLACES ± --- ± ---
	2 PLACES ± --- ± ---
	1 PLACE ± --- ± ---
	ANGULAR ± 2 °

DRAWN BY	DATE	TITLE
GMH	2003/04/21	SMA JACK, 2H FLG WITH 0-80 THD, 50 OHM 27 GHZ SMA-JR/F EWR-1995
CHECKED BY	DATE	
SSS	2003/04/21	
APPROVED BY	DATE	
JWENER	2010/06/09	
MATERIAL NO.	DOCUMENT NO.	SHEET NO.
732511850	SD-73251-185	1 OF 3

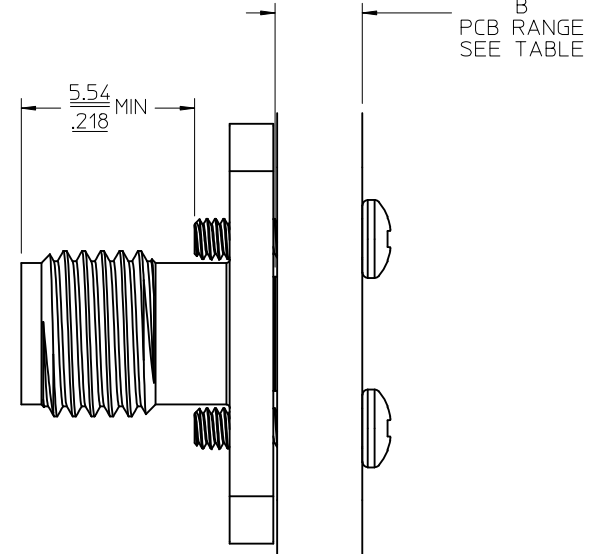
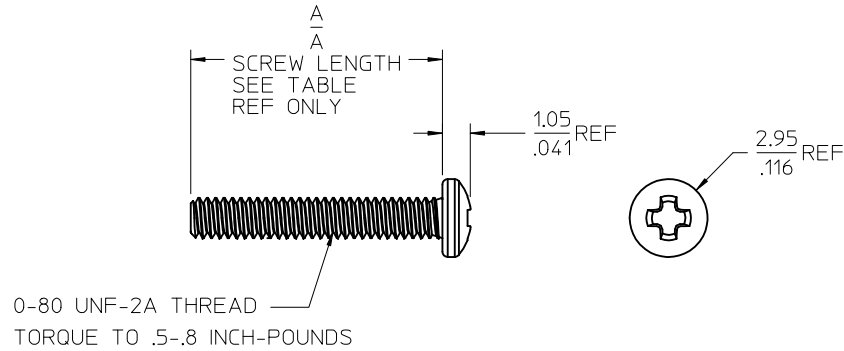
DIMENSION STYLE	SCALE	DESIGN UNITS	THIRD ANGLE PROJECTION
MM/IN		METRIC	
THIS DRAWING CONTAINS INFORMATION THAT IS PROPRIETARY TO MOLEX INCORPORATED AND SHOULD NOT BE USED WITHOUT WRITTEN PERMISSION			

MATERIALS AND FINISHES

SEE SHEET 1

PCB LAYOUT

SEE SHEET 1



73251-1854	9.53/.375	.255+.060/-0.00	6.48+1.52/-0.00	2
73251-1853	6.4/.25	.130+.060/-0.00	3.30+1.52/-0.00	2
73251-1851	4.8/.19	.062+.060/-0.00	1.57+1.52/-0.00	2
PART NO.	(MM/IN)	IN	MM	SCREWS (QTY)
	DIM A	DIM B		

CHG: SEE SHT 1 EC NO: URF2011-0448 DRW:SSHAH 2011/01/24 CHKD: APPR:JWIENER 2011/01/24	QUALITY SYMBOLS ▽=0 ▽=0	GENERAL TOLERANCES (UNLESS SPECIFIED)		DIMENSION STYLE MM/IN	SCALE	DESIGN UNITS METRIC	THIRD ANGLE PROJECTION								
		4 PLACES ± --- ± ---	3 PLACES ± --- ± ---	2 PLACES ± --- ± ---	1 PLACE ± --- ± ---	DRAWN BY GMH	DATE 2003/04/21	CHECKED BY SSS	DATE 2003/04/21	APPROVED BY JWIENER	DATE 2010/06/09	TITLE SMA JACK, 2H FLG WITH 0-80 THD, 50 OHM 27 GHZ SMA-JR/F EWR-1995	MATERIAL NO. SEE TABLE	DOCUMENT NO. SD-73251-185	SHEET NO. 2 OF 3
DRAFT WHERE APPLICABLE MUST REMAIN WITHIN DIMENSIONS		ANGULAR ± 2 °		THIS DRAWING CONTAINS INFORMATION THAT IS PROPRIETARY TO MOLEX INCORPORATED AND SHOULD NOT BE USED WITHOUT WRITTEN PERMISSION											

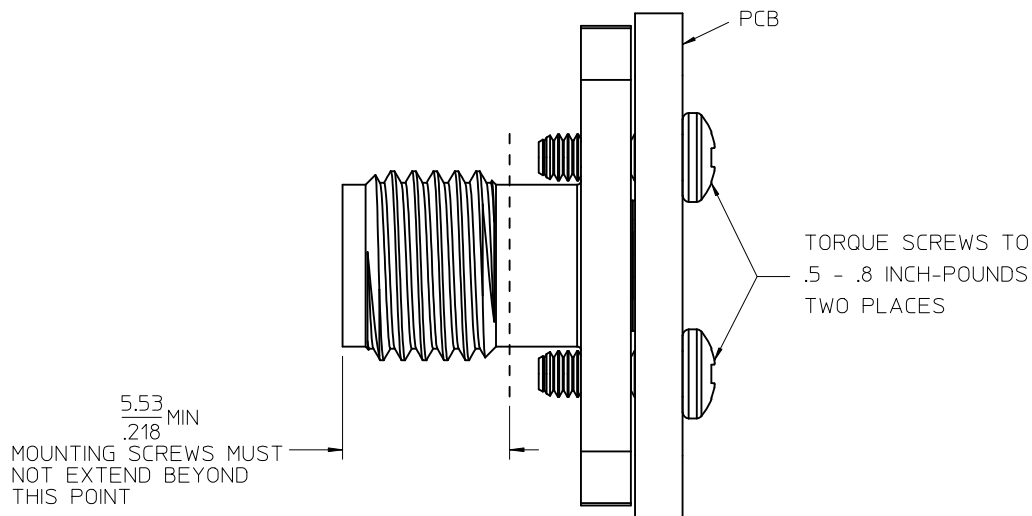
ADDITIONAL APPLICATION NOTES / ASSEMBLY INSTRUCTIONS

1. SEE SHEET ONE FOR SUGGESTED PCB LAYOUT.  
HEIGHT OF GROUND AND SIGNAL PADS MUST BE  
EVEN WITHIN ±.038 (.0015).

2. SECURE CONNECTOR TO BOARD BY THREADING  
TWO 0-80 SCREWS FROM BOTTOM SIDE OF  
BOARD THROUGH CONNECTOR HOLES TO  
INDICATED TORQUE (SEE FIGURE).

DO NOT SOLDER CONNECTOR TO BOARD.

3. ONCE CONNECTOR IS MOUNTED TO BOARD ANY  
LOOSENING OR REMOVAL OF SCREWS CAN  
AND/OR WILL CAUSE CONNECTOR TO NO LONGER  
FUNCTION AS DESIGNED.



5.53  
.218  
MIN  
MOUNTING SCREWS MUST  
NOT EXTEND BEYOND  
THIS POINT

TORQUE SCREWS TO  
.5 - .8 INCH-POUNDS  
TWO PLACES

CHG: SEE SHEET 1  
EC NO: URF2011-0448  
DRW:SSHAH 2011/01/24  
CHKD:  
APPR:JWIENER 2011/01/24  
REV  
B12

QUALITY  
SYMBOLS  
▽=0  
▽=0

GENERAL TOLERANCES  
(UNLESS SPECIFIED)

	mm	INCH
4 PLACES	± .005	± .0002
3 PLACES	± .005	± .0002
2 PLACES	± .005	± .0002
1 PLACE	± .005	± .0002

ANGULAR ± 2 °

DRAFT WHERE APPLICABLE  
MUST REMAIN  
WITHIN DIMENSIONS

DIMENSION STYLE  
MM/IN

DRAWN BY	DATE
GMH	2003/04/21
CHECKED BY	DATE
SSS	2003/04/21
APPROVED BY	DATE
JWIENER	2010/06/09

MATERIAL NO.  
SEE TABLE

SCALE  
DESIGN UNITS  
METRIC

THIRD ANGLE  
PROJECTION

TITLE  
SMA JACK, 2H FLG WITH  
0-80 THD, 50 OHM 27 GHZ  
SMA-JR/F EWR-1995

MOLEX MOLEX INCORPORATED

DOCUMENT NO.  
SD-73251-185

SHEET NO.  
3 OF 3

THIS DRAWING CONTAINS INFORMATION THAT IS PROPRIETARY TO MOLEX  
INCORPORATED AND SHOULD NOT BE USED WITHOUT WRITTEN PERMISSION