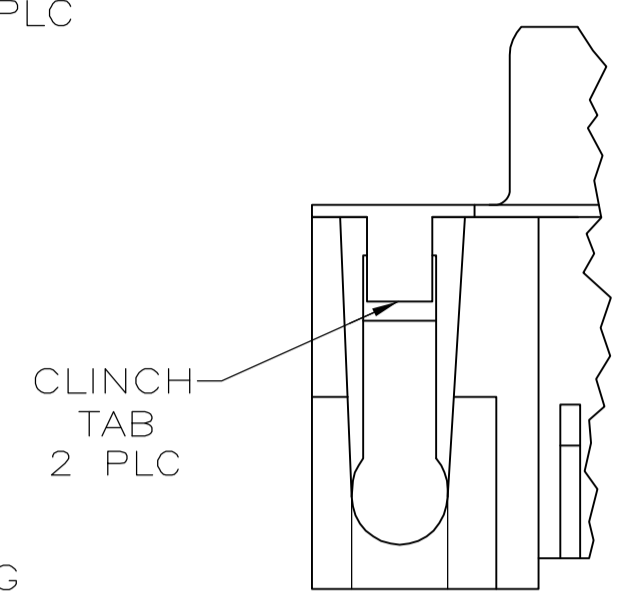
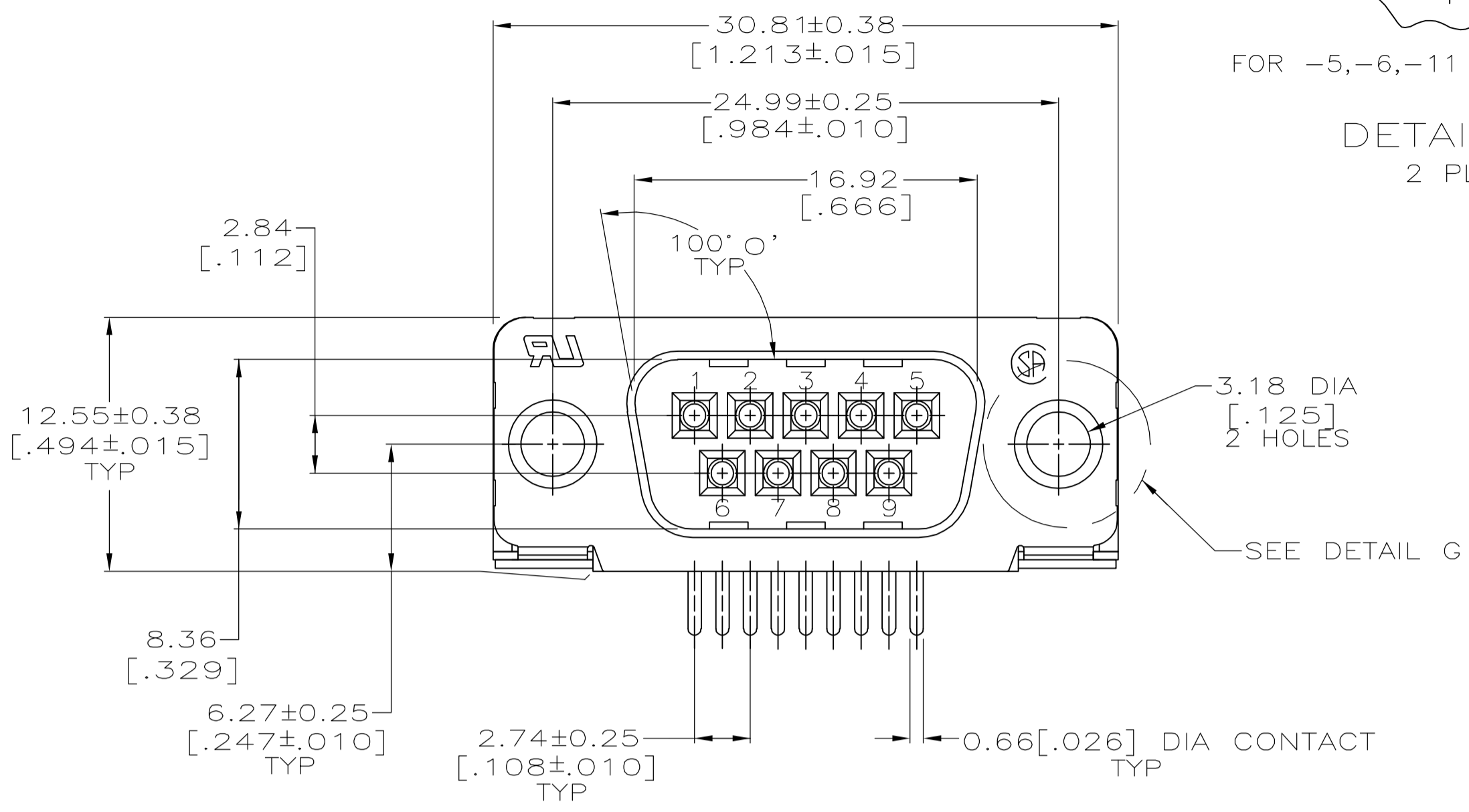


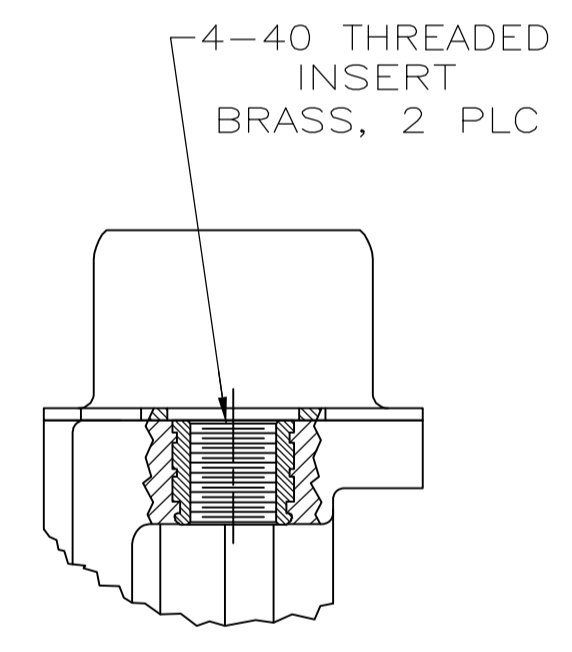
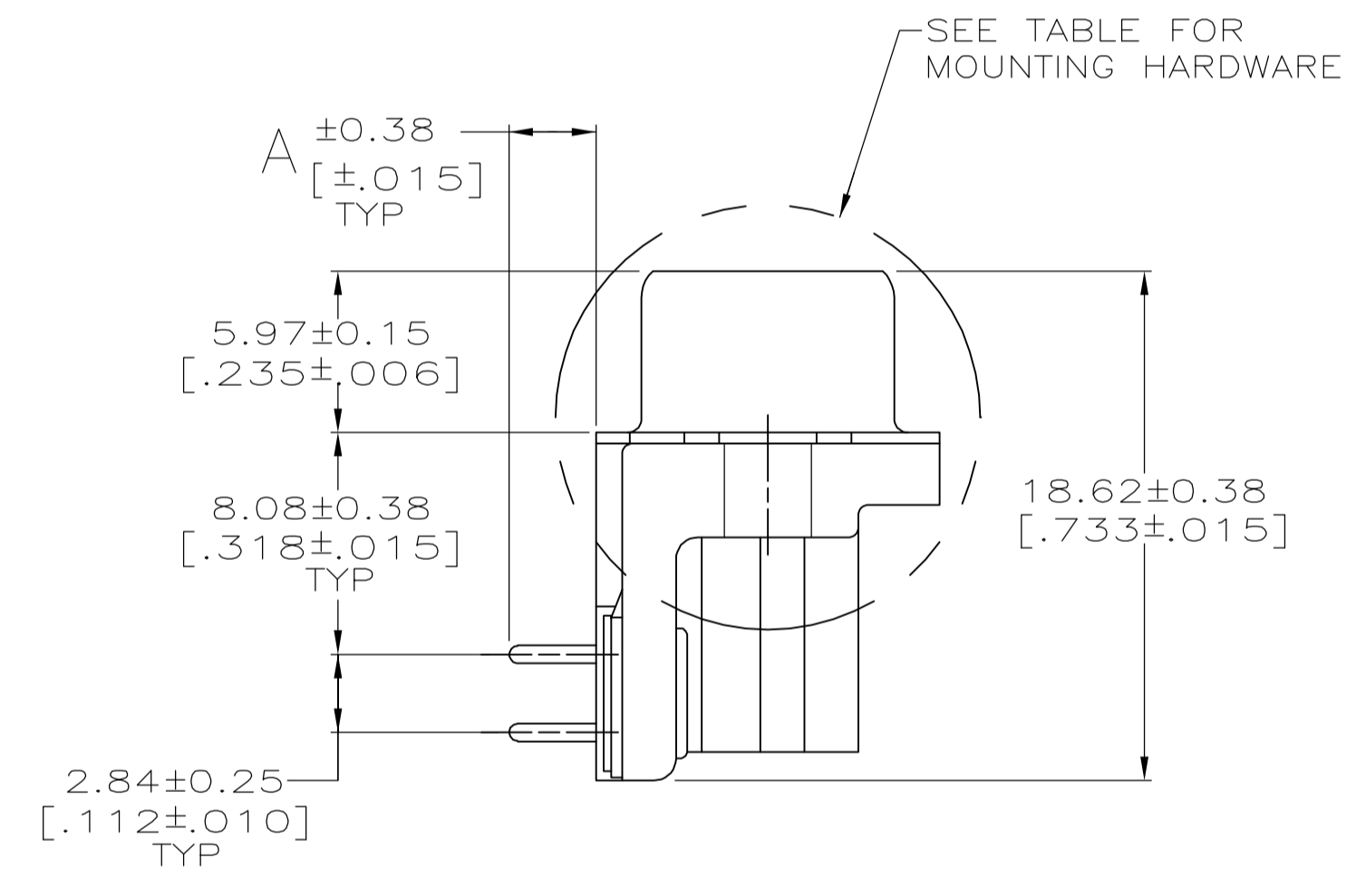
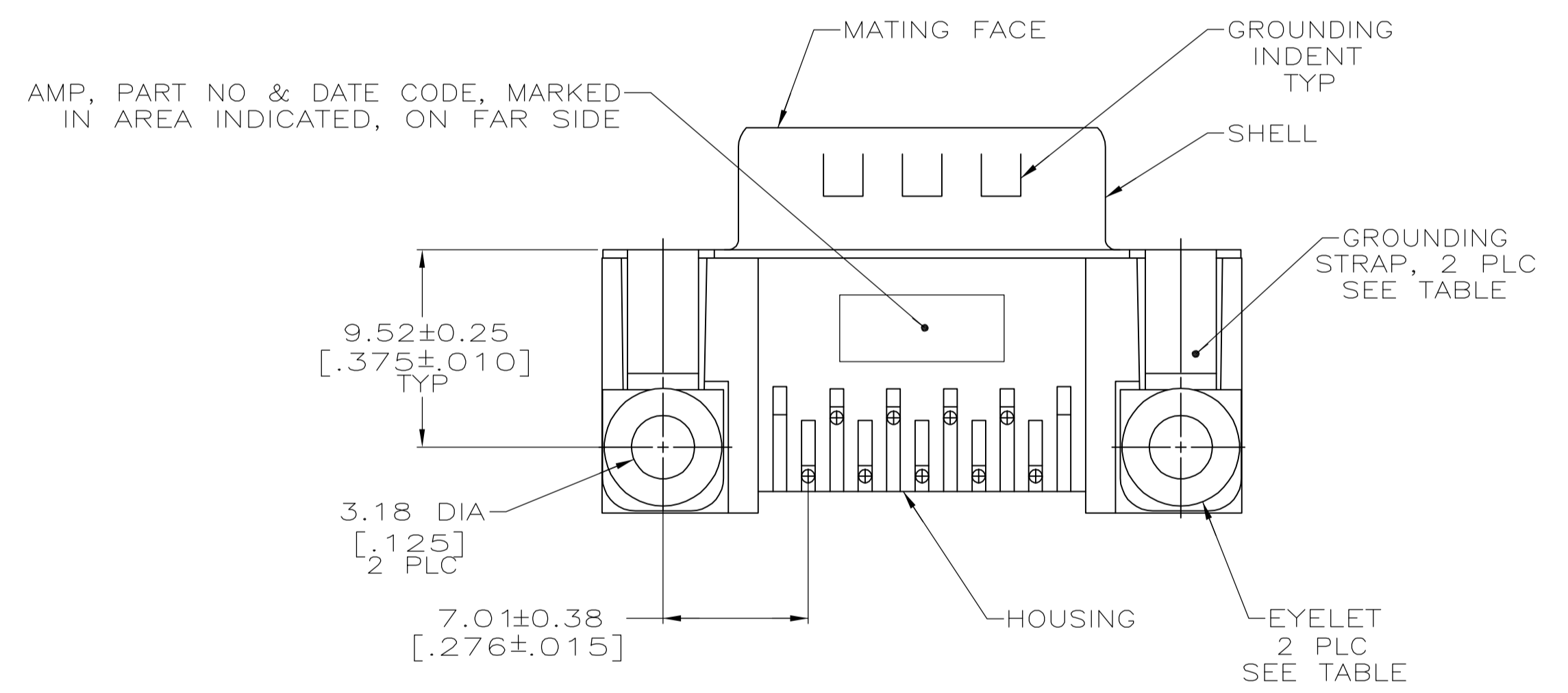
FOR -5, -6, -11 & -12 ONLY

DETAIL G  
2 PLC

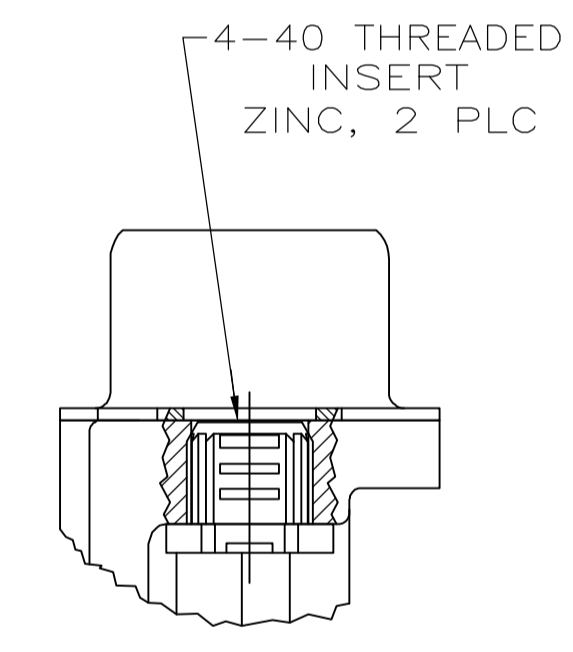


DETAIL B

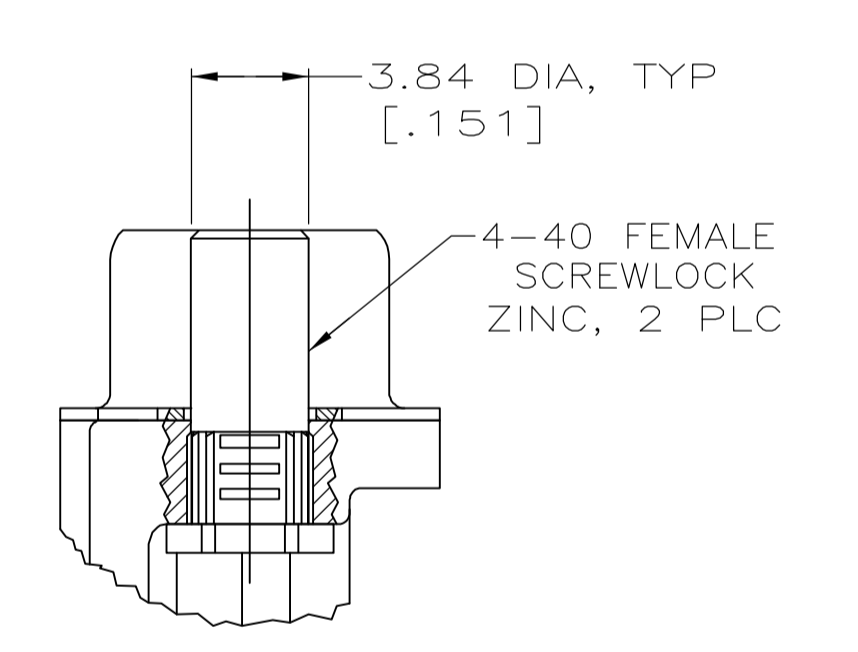
- ① HOUSING: BLACK NYLON OR POLYESTER, FLAME RETARDANT, UL 94V-0 RATED, GLASS FILLED  
 CONTACTS: BRASS  
 SHELLS: CARBON STEEL  
 EYELETS: BRASS
- ② GOLD PLATING FOR LENGTH OF 3.81 [.150] MIN FROM MATING END, GOLD FLASH IN MATED AREA, 2.54μm [.000100] MIN TIN OR TIN-LEAD FOR A LENGTH OF 3.56 [.140] MIN FROM OPPOSITE END, BOTH OVER 1.27μm [.000050] MIN NICKEL.
- ③ GOLD PLATED FOR LENGTH OF 3.81 [.150] MIN FROM MATING END, 0.76μm [.000030] MIN GOLD IN MATED AREA, 2.54μm [.000100] MIN TIN OR TIN-LEAD FOR A LENGTH OF 3.56 [.140] MIN FROM OPPOSITE END, BOTH OVER 1.27μm [.000050] MIN NICKEL.  
 -OR-  
 GOLD FLASH OVER MIN PALLADIUM NICKEL FOR A LENGTH OF 3.81 [.150] MIN FROM MATING END, 0.76μm [.000030] PALLADIUM NICKEL IN MATED AREA, 2.54μm [.000100] MIN TIN OR TIN-LEAD FOR A LENGTH OF 3.56 [.140] FROM OPPOSITE END, BOTH OVER 1.27μm [.000050] MIN NICKEL.
- ④ SHELLS: 2.54μm [.000100] MIN TIN OVER 1.27μm [.000050] MIN COPPER  
 EYELETS: 5.08μm [.000200] MIN TIN OVER COPPER FLASH  
 CONTACTS: SEE TABLE  
 SCREWLOCK AND INSERT: CLEAR CHROMATE
- ⑤ THIS CONNECTOR IS COMPATIBLE WITH TYPICAL SURFACE MOUNT SOLDERING PROCESSES CONSISTING OF 418°F MAX TEMPERATURE AND 3 MINUTES MAX EXPOSURE TIME.
- ⑥ SCREWLOCKS AND LOCKWASHERS FOR 1-747250-3 ASSEMBLY WILL BE BULK PACKED AND SHIPPED WITH ASSEMBLIES.
- ⑦ OBSOLETE PART NUMBER.
- ⑧ SUPERSEDED BY 747250-2.
- ⑨ SUPERSEDED BY 747250-6.



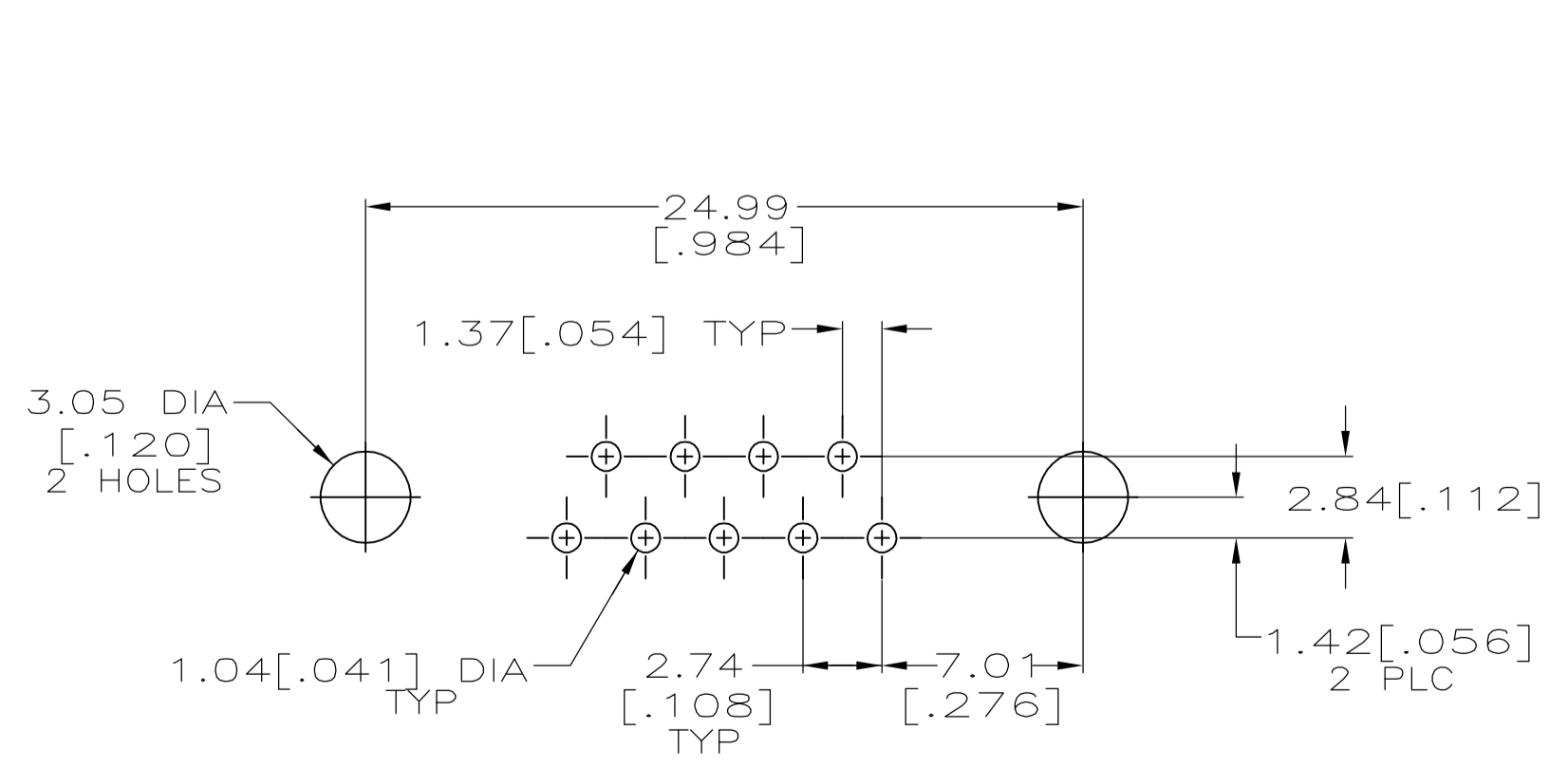
DETAIL C



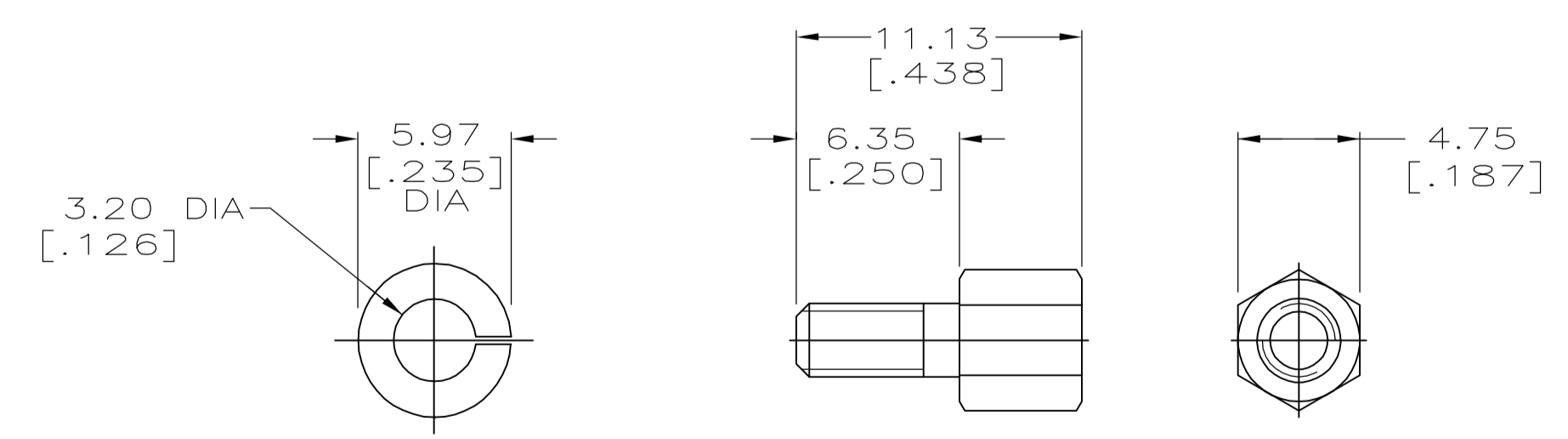
DETAIL D



DETAIL E



P.C. BOARD MOUNTING DIMENSIONS



⑥ DETAIL F

LOCKWASHER: QTY 2 CARBON STEEL, ZINC PLATED CLEAR CHROMATE  
 4-40 FEMALE SCREWLOCK: QTY 2 CARBON STEEL; 3.81μm [.000150] MIN ZINC PLATED CLEAR CHROMATE

A	GROUNDING STRAPS	YES	YES	-	③	⑨ 1-747250-5
				SEE DETAIL C	③	⑨ 1-747250-4
				SEE DETAILS D AND F	③	⑨ 1-747250-3
				SEE DETAIL E	③	⑨ 1-747250-2
				SEE DETAIL D	②	⑨ 1-747250-1
				-	③	⑨ 1-747250-0
				-	②	⑨ 747250-9
				-	③	⑨ 747250-8
				-	②	⑨ 747250-7
				-	③	⑨ 747250-6
A	EYELETS	NO	NO	SEE DETAIL D	③	⑨ 747250-5
				-	③	⑨ 747250-4
				-	③	⑨ 747250-3
				-	③	⑨ 747250-2
A	MOUNTING HARDWARE	YES	YES	SEE DETAIL E	③	⑨ 747250-1
				SEE DETAIL D	③	⑨ 747250-1

THIS DRAWING IS A CONTROLLED DOCUMENT. DWG: W.G. LENKER 05 OCT 89  
 CHK: R. STONE 06 FEB 90  
 APVD: W.D. GALLOWAY 06 FEB 90

**tyco** Tyco Electronics Corporation  
 Harrisburg, PA 17105-3608

DIMENSIONS: mm [INCHES]	TOLERANCES UNLESS OTHERWISE SPECIFIED:	PRODUCT SPEC	PLUG ASSEMBLY, SIZE 1, 9 POSITION, RIGHT ANGLE, FRONT METAL SHELL, .318 SERIES, AMPLIMITE® HD-20
0 PLC ± .005	± .005	APPLICATION SPEC	108-40025
1 PLC ± .005	± .005	SIZE	114-40010
2 PLC ± .005	± .005	WEIGHT	A1 00779
3 PLC ± .005	± .005	CUSTOMER DRAWING	SCALE 4:1 SHEET 1 OF 1 REV U
4 PLC ± .005	± .005		
ANGLES ± 2°			