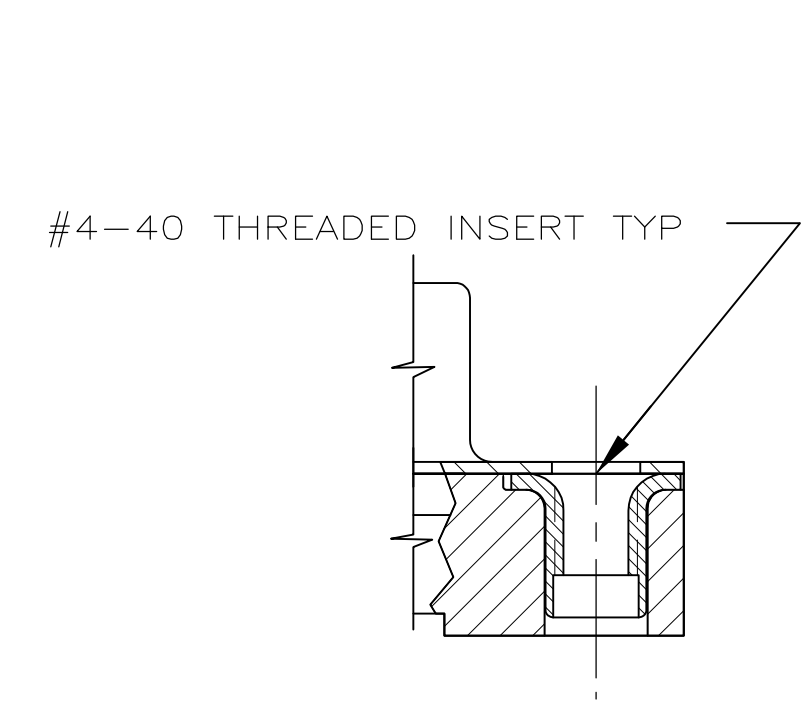
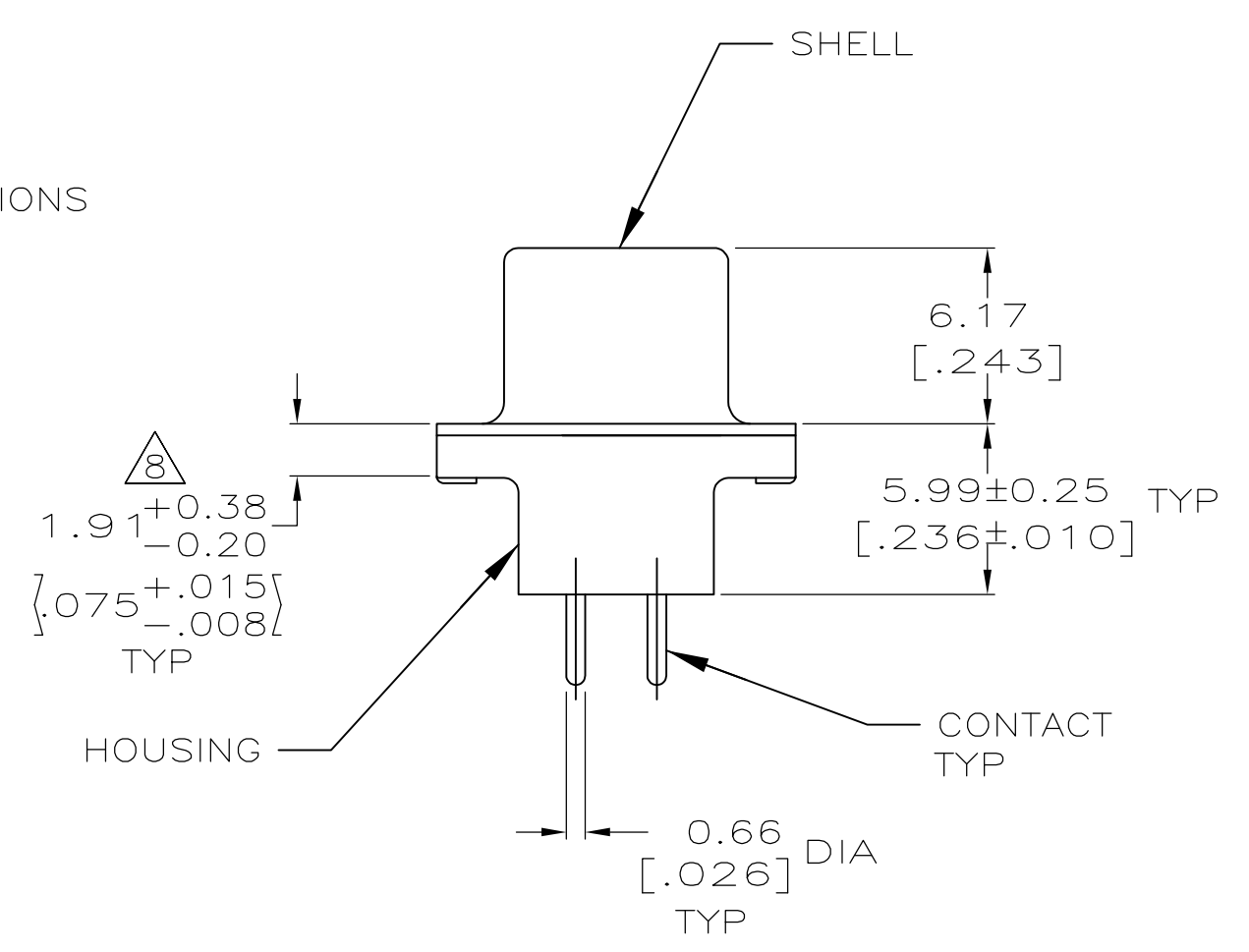
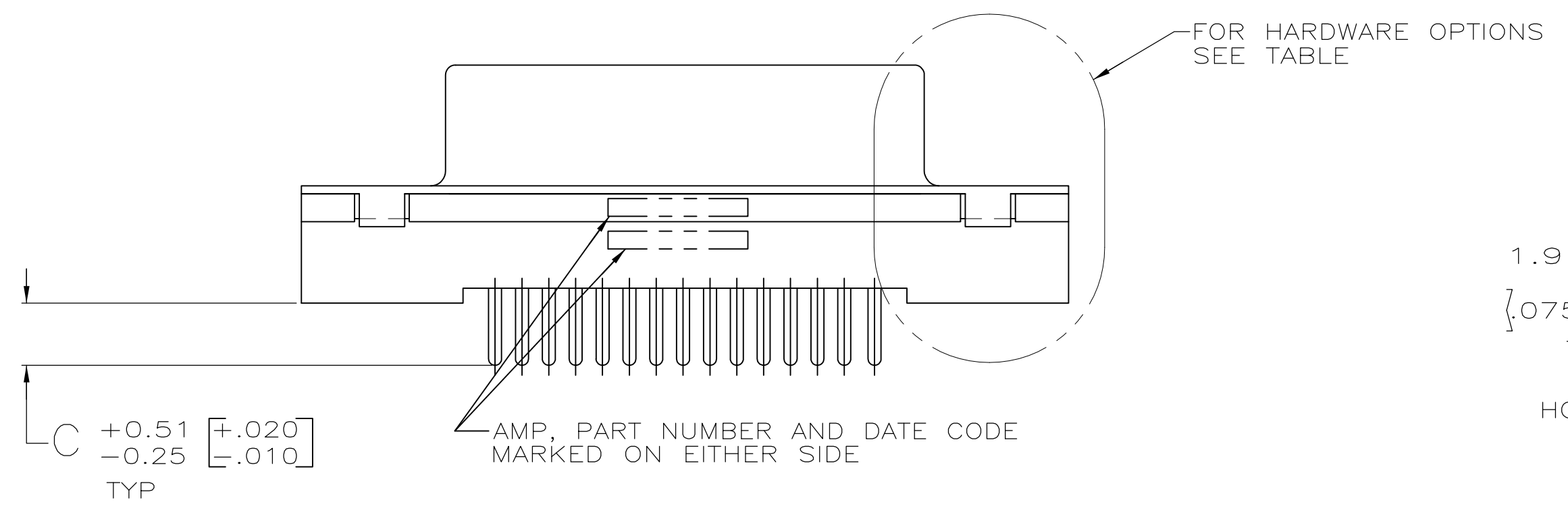
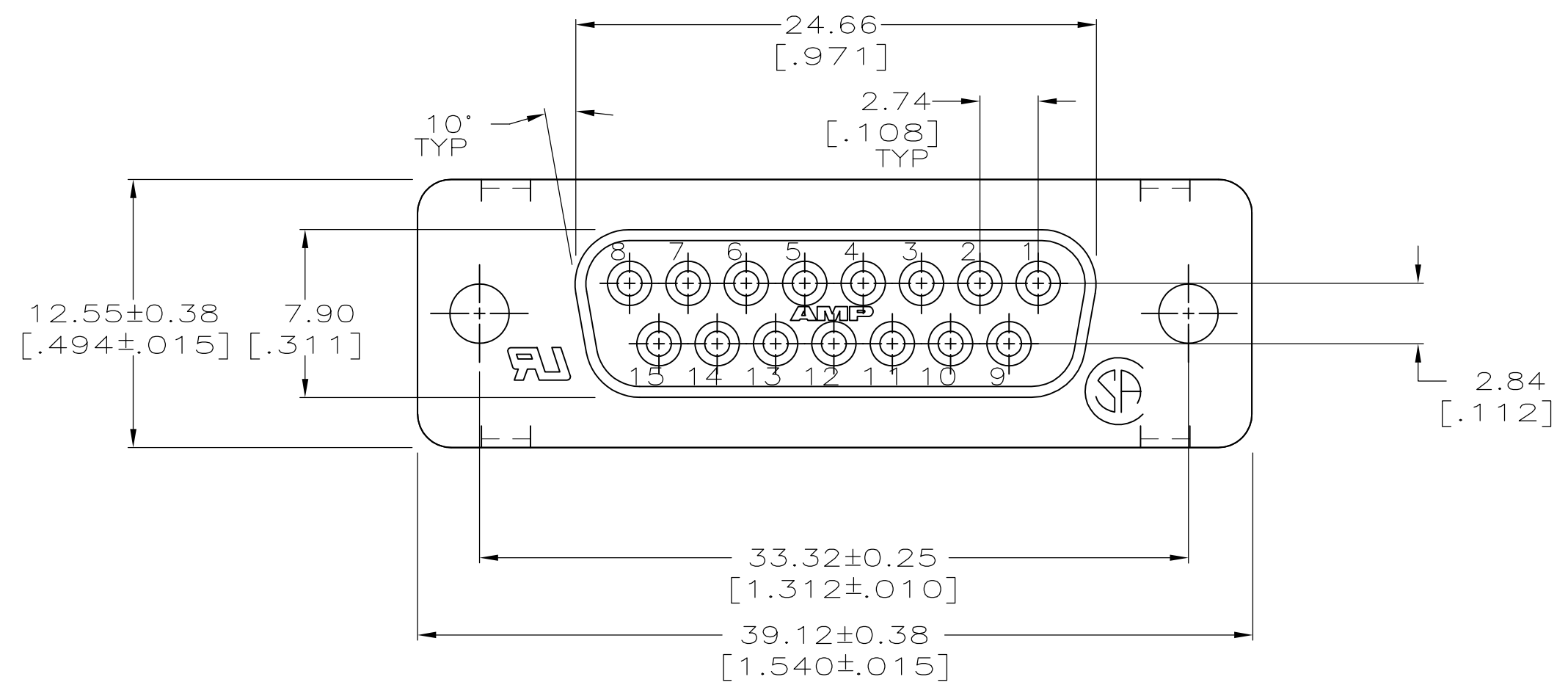
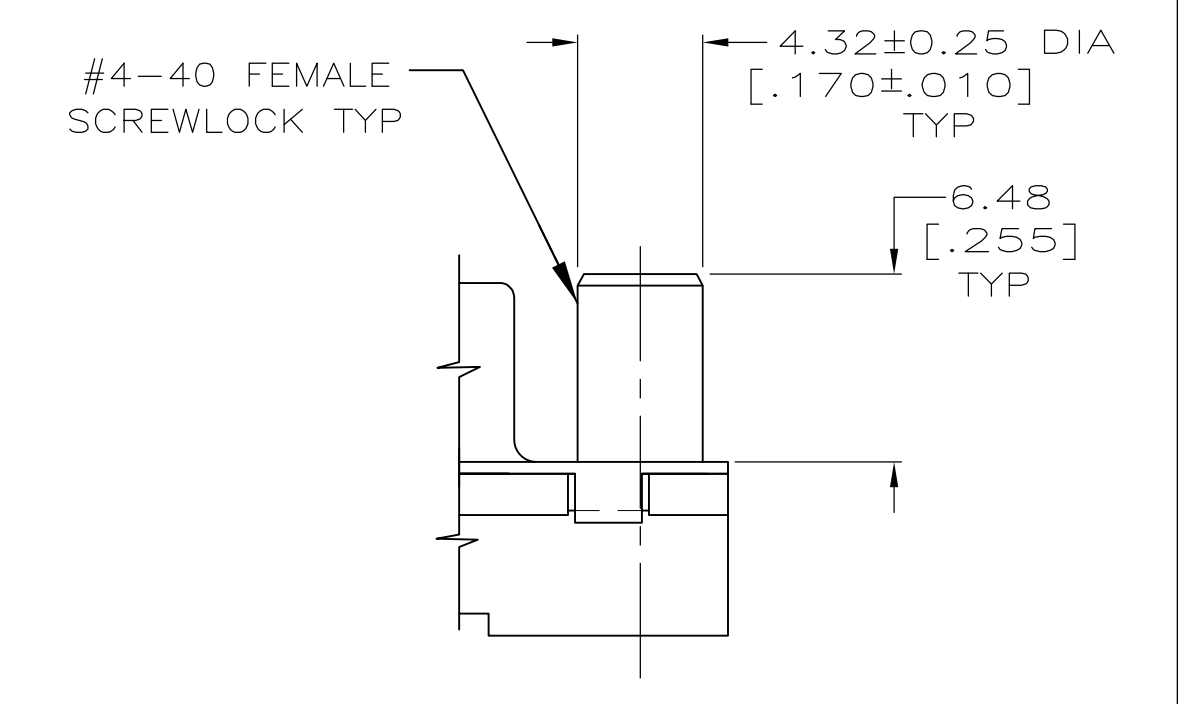


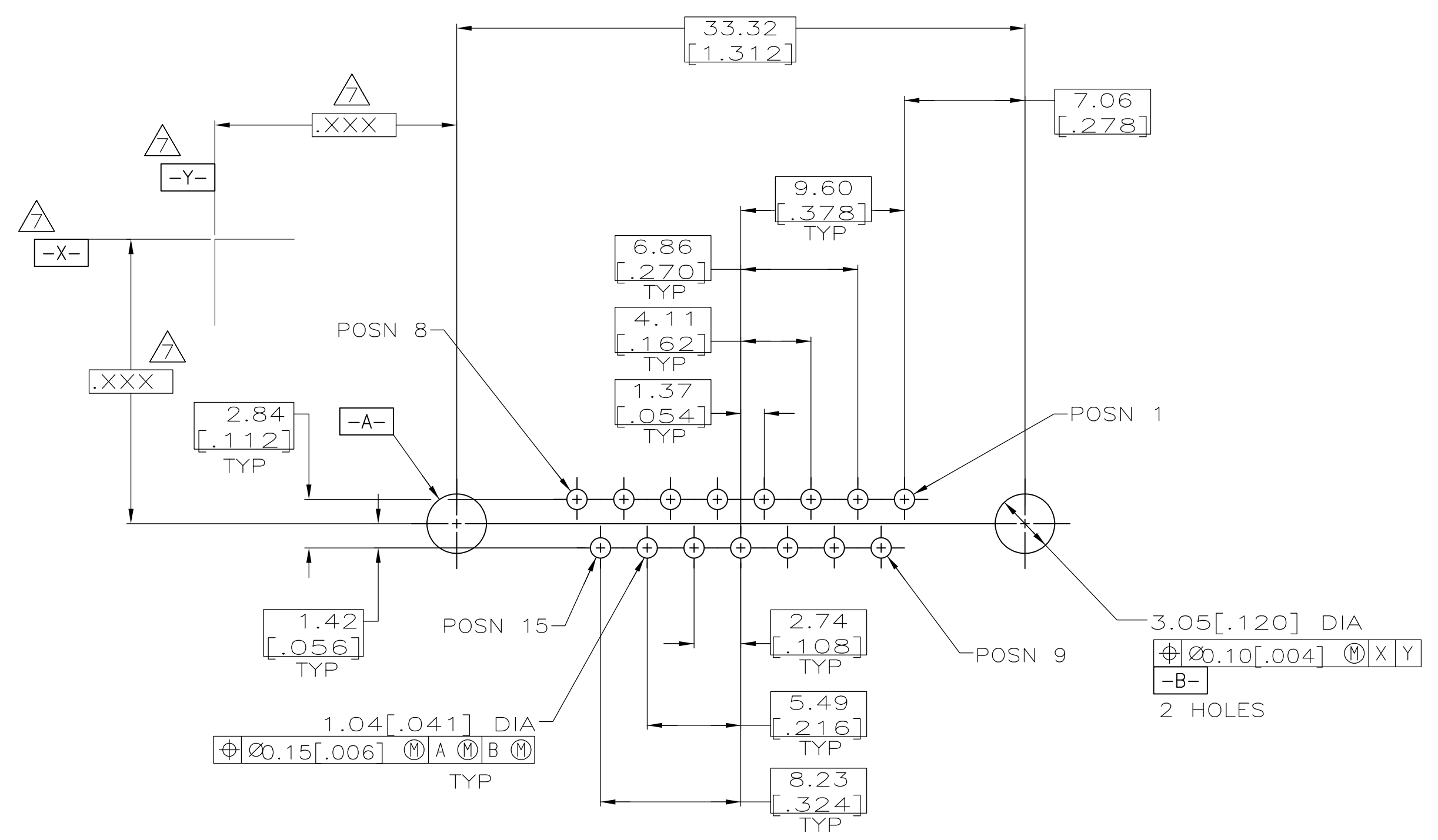
- ▲ POLYESTER, UL 94V-0 RATED, BLACK.
- ▲ CARBON STEEL.
- ▲ 5.08um [.000200] MIN TIN OVER 2.54um [.000100] MIN COPPER.
- ▲ GOLD FLASH FOR A LENGTH OF 2.54[.100] MIN FROM MATING END, 2.54um [.000100] MIN TIN OR TIN-LEAD ON OPPOSITE END, BOTH OVER 1.27um [.000050] MIN NICKEL.
- ▲ 0.76um [.000030] MIN GOLD FOR A LENGTH OF 2.54 [.100] MIN FROM MATING END, 2.54um [.000100] MIN TIN OR TIN-LEAD ON OPPOSITE END, BOTH OVER 1.27um [.000050] MIN NICKEL.
- ▲ NOTE DELETED.
- ▲ DATUMS AND BASIC DIMENSIONS ESTABLISHED BY CUSTOMER.
- ▲ 2.79[.110] MAX IN SHELL TAB CLINCH AREAS.
- ▲ OBSOLETE PART NUMBER.
- ▲ 10 SUPSD BY 747299-2.
- ▲ 11 SUPSD BY 1-747299-6.



DETAIL D



DETAIL E



RECOMMENDED PC BOARD MOUNTING DIMENSIONS

W/FEMALE SCREWLOCKS PER DETAIL E	▲ 5	4.32 [.170]	▲ 1-747299-6
	▲ 4	4.32 [.170]	▲ 1-747299-5
	▲ 5	3.18 [.125]	1-747299-4
W/THREADED INSERTS PER DETAIL D	▲ 4	3.18 [.125]	▲ 9 1-747299-3
	▲ 5	4.32 [.170]	▲ 9 1-747299-0
	▲ 5	3.18 [.125]	747299-8
WO/FEMALE SCREWLOCKS OR THREADED INSERTS AS SHOWN	▲ 4	3.18 [.125]	747299-7
	▲ 5	6.35 [.250]	▲ 9 747299-6
	▲ 5	4.32 [.170]	747299-4
	▲ 6	3.18 [.125]	747299-2
	▲ 4	3.18 [.125]	▲ 10 747299-1

HARDWARE OPTIONS		CONTACTS	C	PART NO
FINISH				

THIS DRAWING IS A CONTROLLED DOCUMENT.		OWN	3-22-93	Tyco Electronics Corporation Harrisburg, PA 17105-3608
		CHK	5-10-93	
DIMENSIONS: mm(INCHES)		DR	R STONE	
TOLERANCES UNLESS OTHERWISE SPECIFIED:		APVD	-	
0 PLC	± -	PRODUCT SPEC		
2 PLC	± -	108-40025		
3 PLC	± 0.13 [.005]	APPLICATION SPEC		
4 PLC	± -	114-40023		
ANGLES	± -	SIZE CAGE CODE DRAWING NO		
MATERIAL	FINISH	WEIGHT	A1 00779	RESTRICTED TO
			C=747299	
CUSTOMER DRAWING		SCALE	4:1	SHEET 1 OF 1