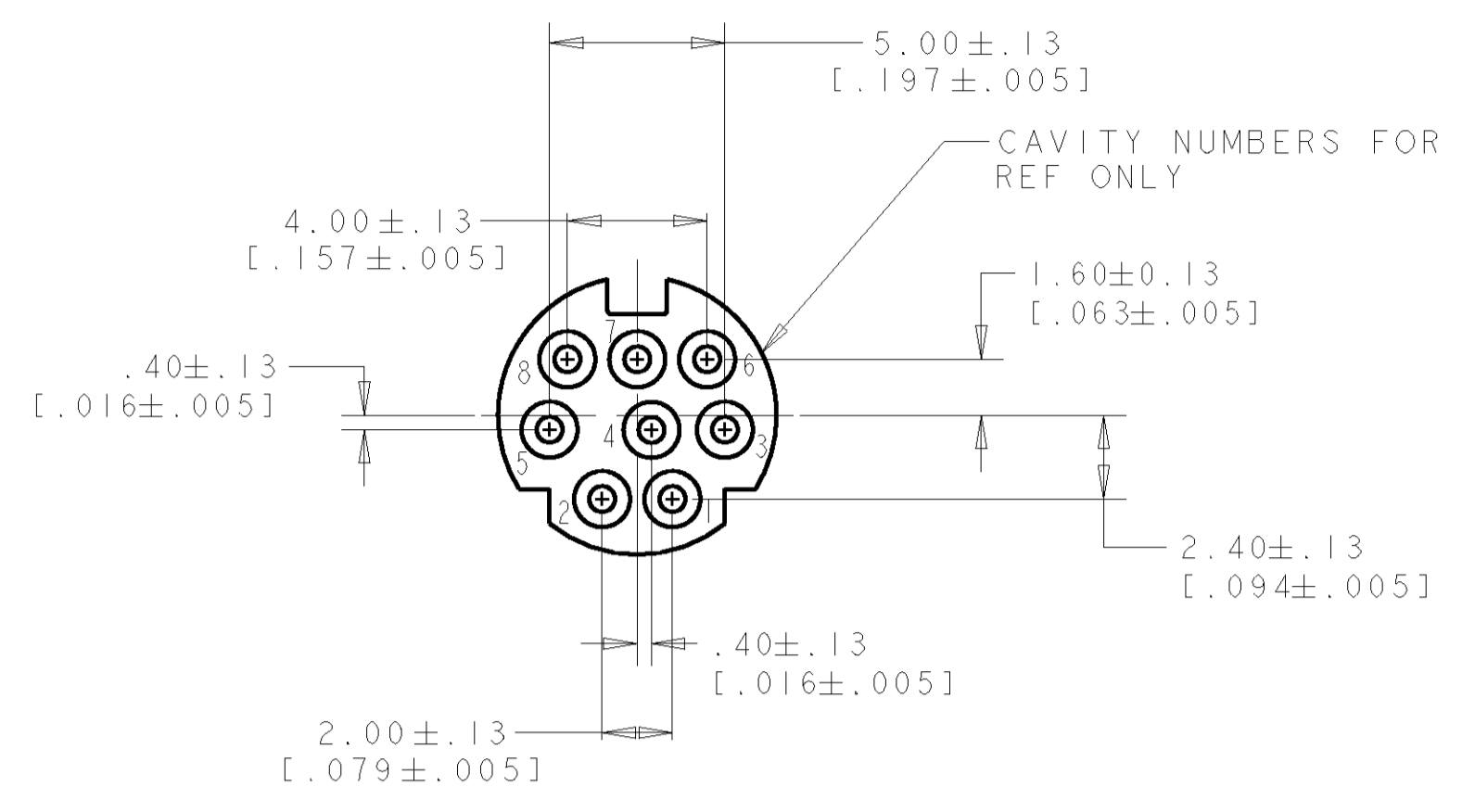
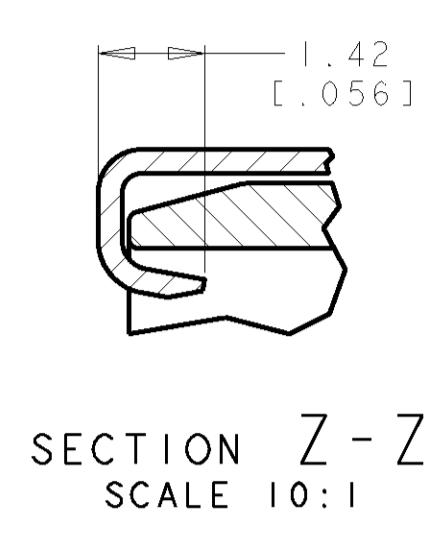
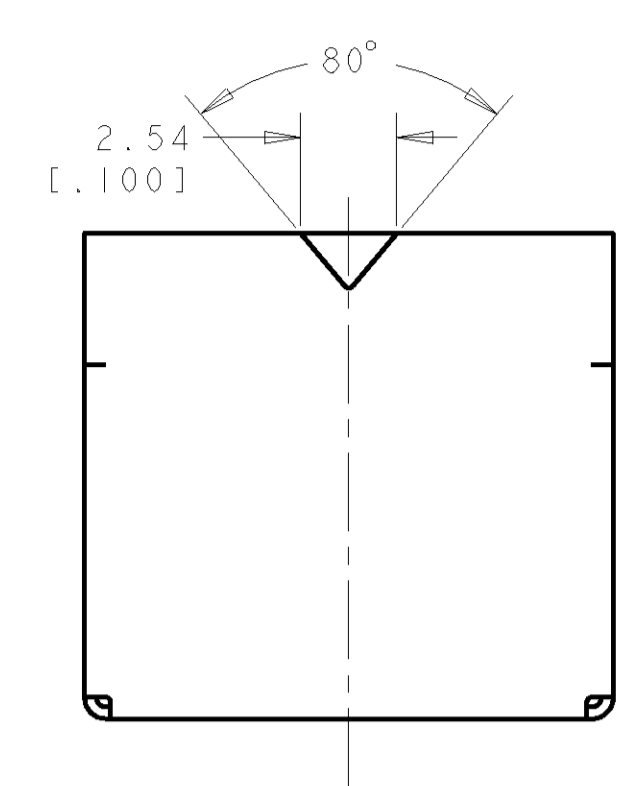
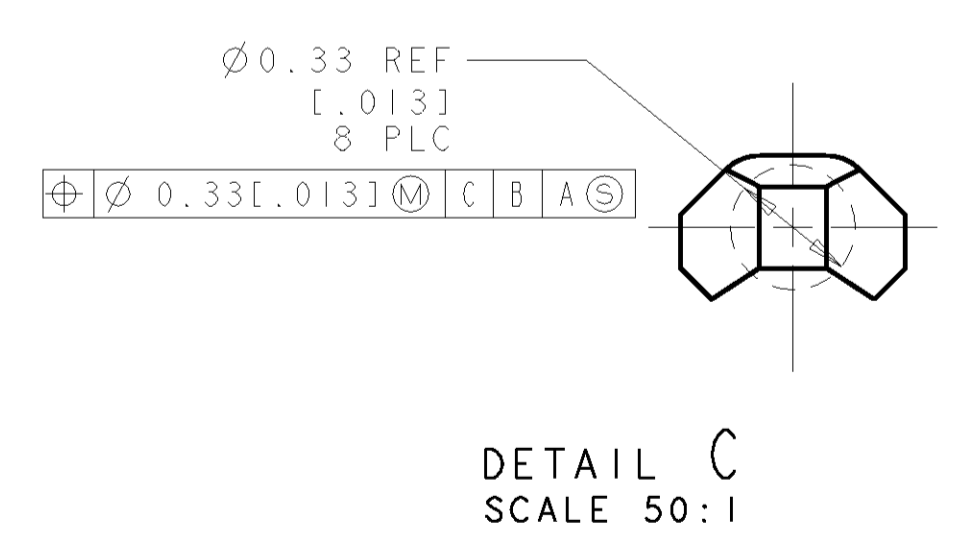
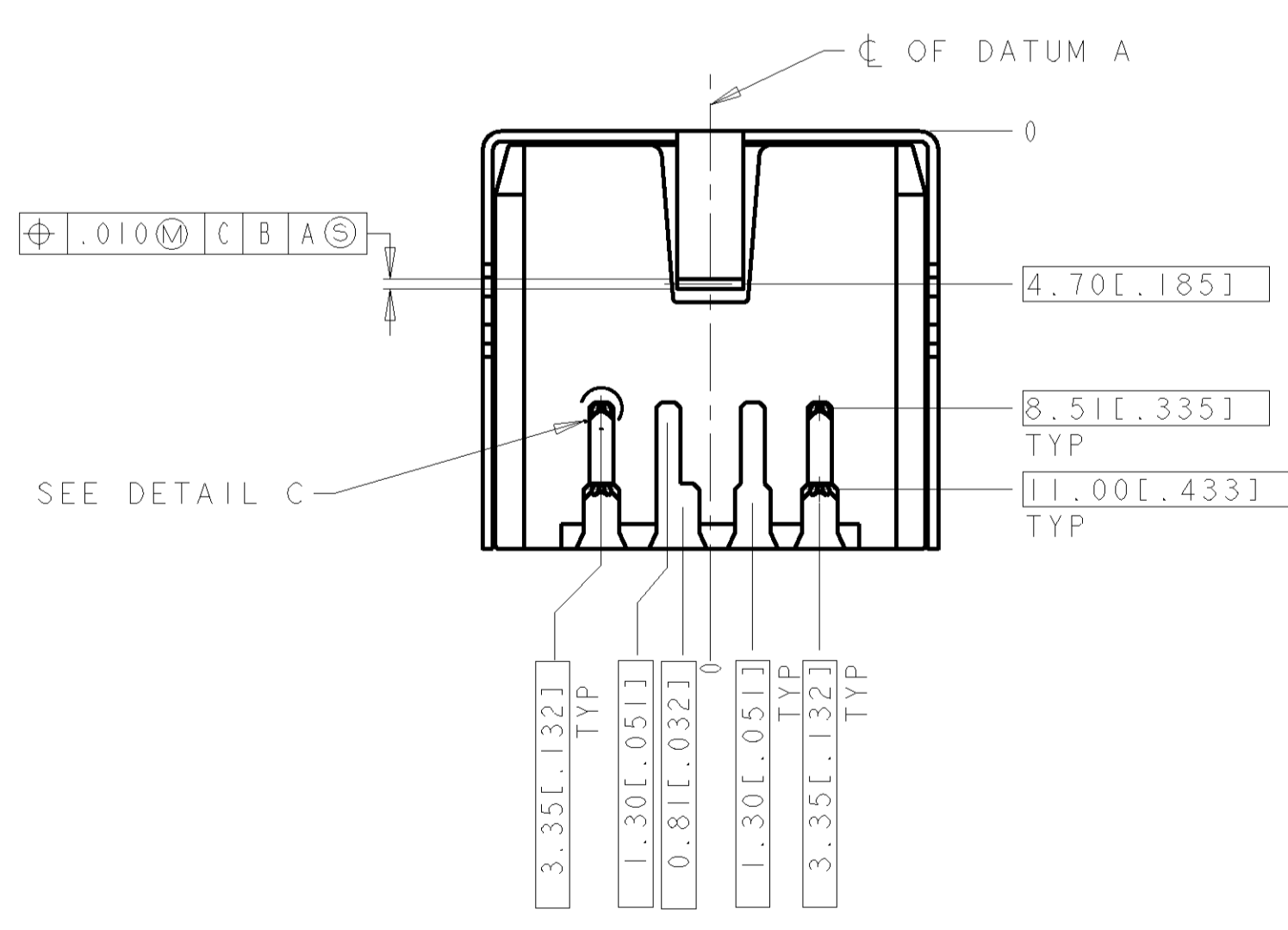
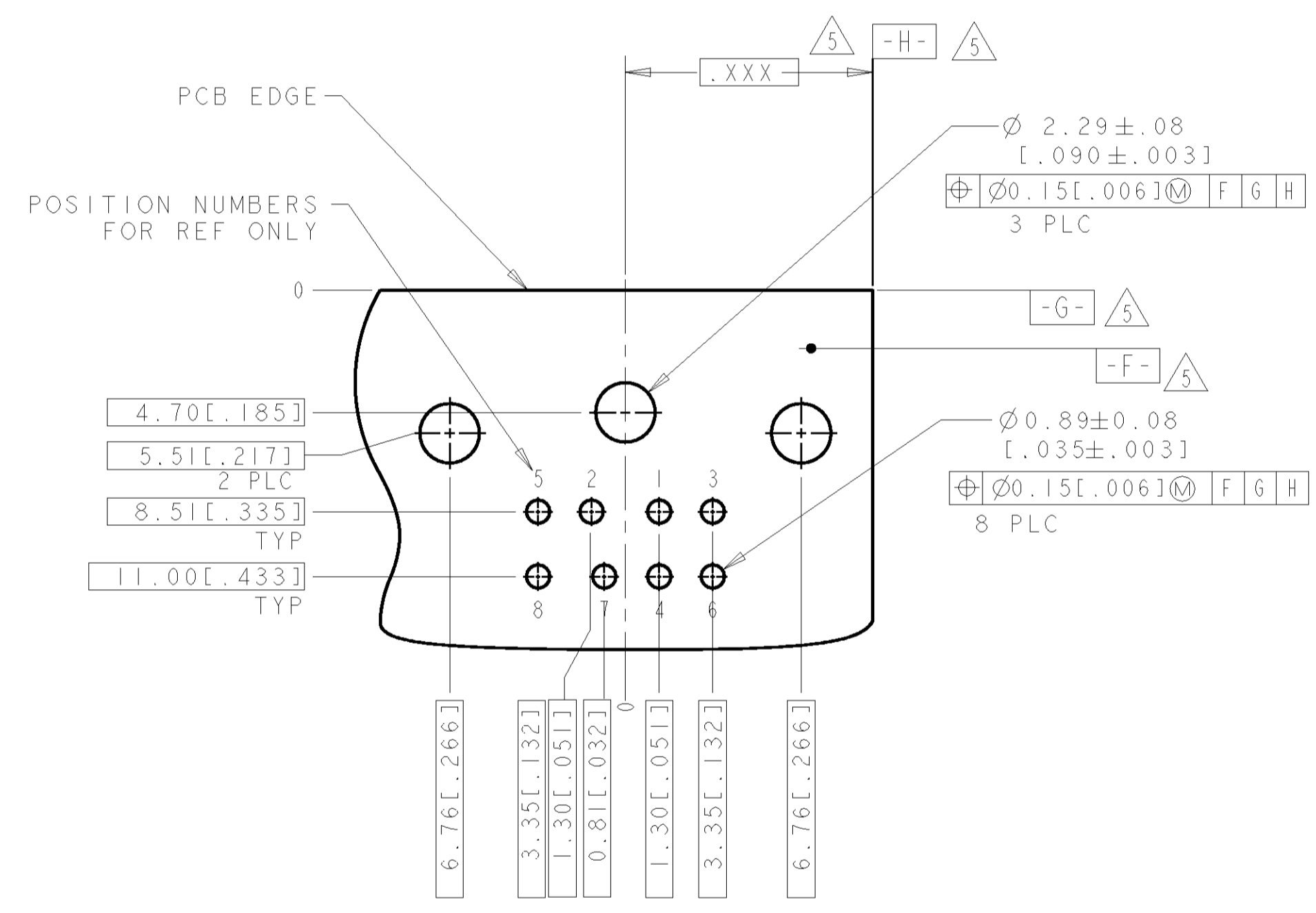
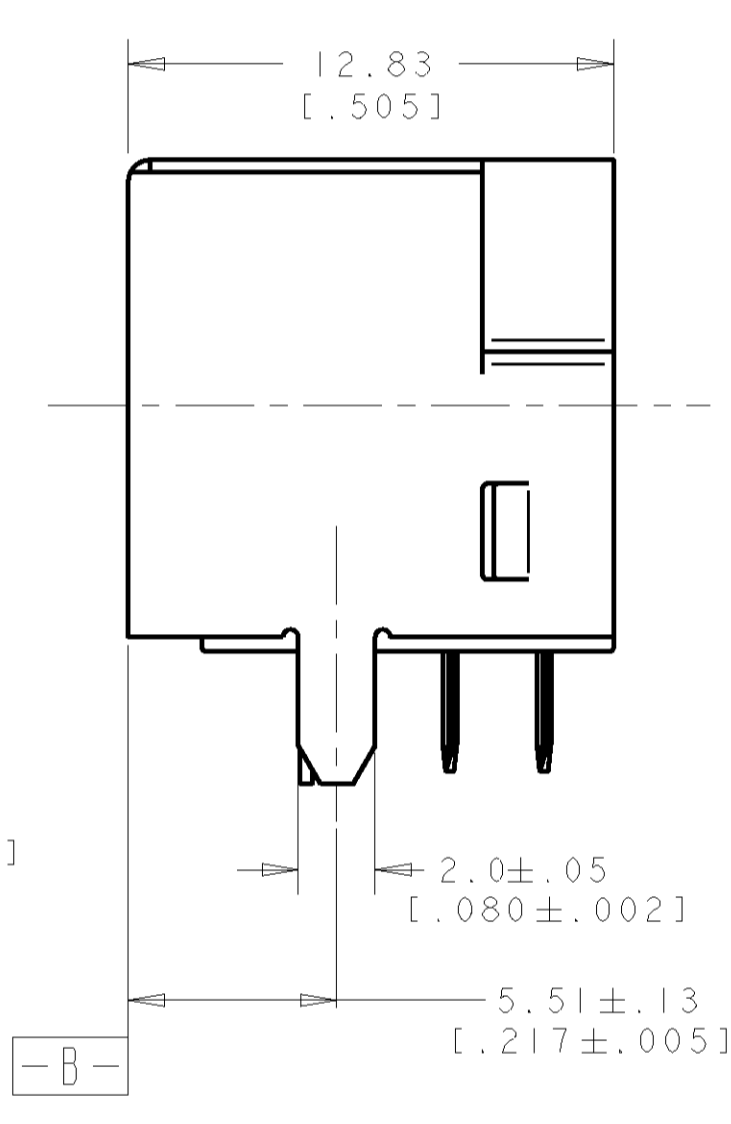
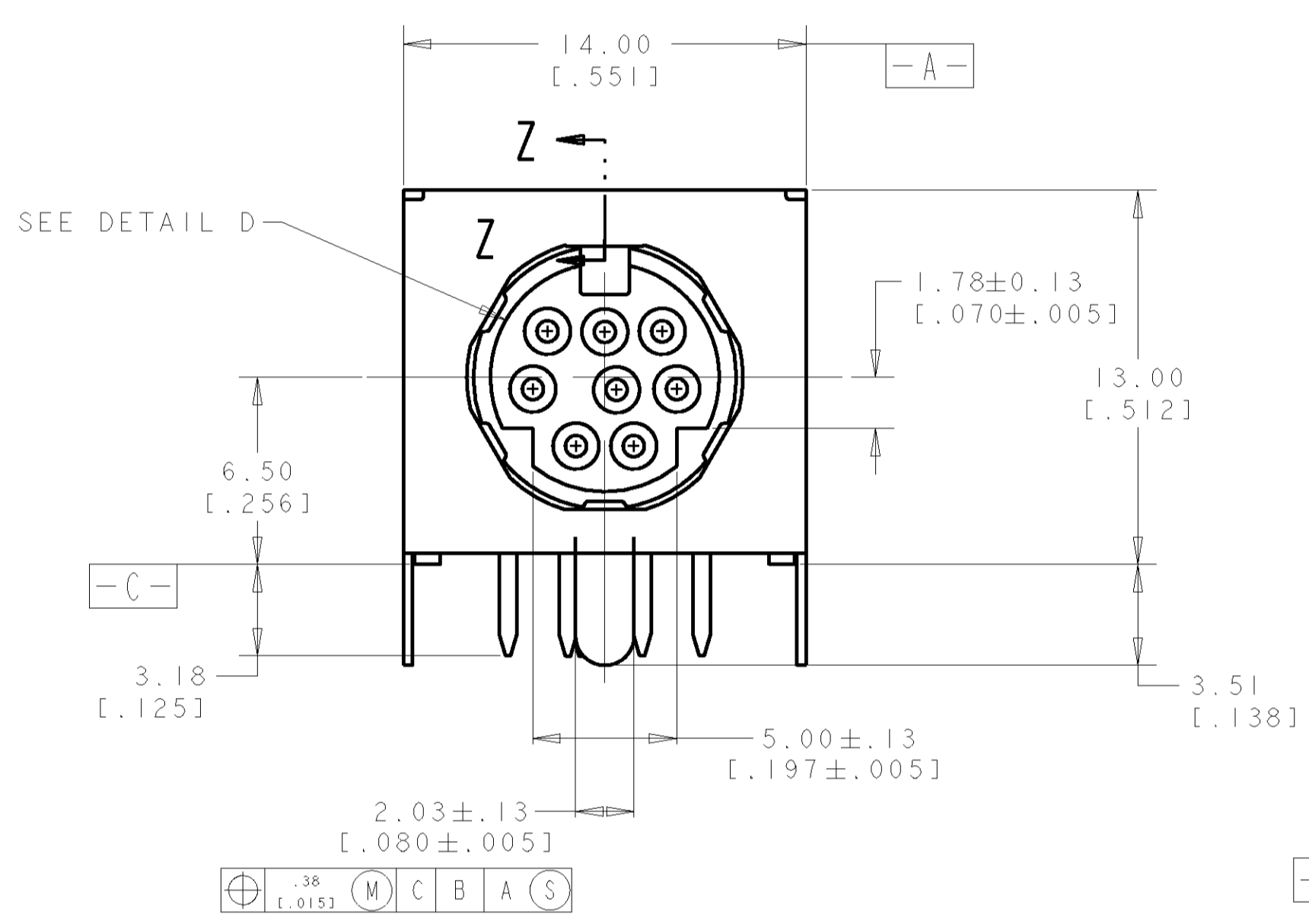


LOC	DIST	REVISIONS			
F	LTR	DESCRIPTION	DATE	DNM	APRD
0		NPR FPD0-0340-04	5JAN05	LWY	LSF



- △ RECEPTACLE CONTACTS: COPPER ALLOY.  
RECEPTACLE SHIELD: COPPER ALLOY.  
HOUSING: THERMOPLASTIC, BLACK, 94V-0 RATED.
- △ PLATING:  
RECEPTACLE CONTACTS - GOLD PLATED .00076 MIN [.000030 MIN] THICK ON MATING END, MATTE-TIN PLATED .0030 MIN [.000120 MIN] THICK ON SOLDER TAIL ALL OVER .0013 MIN [.000050 MIN] THICK NICKEL.
- △ PLATING:  
RECEPTACLE SHIELD - PRE-TIN PLATED
- 4. RECEPTACLE ASSEMBLY MATES WITH 8 PIN 9.00±.10 [.354±.004] DIAMETER PLUG.
- △ DATUMS AND BASIC DIMENSION SUPPLIED BY CUSTOMER.



<small>THIS DRAWING IS A CONTROLLED DOCUMENT FOR AMP INCORPORATED. ALL DIMENSIONS ARE IN INCHES UNLESS OTHERWISE SPECIFIED. FOR THE LATEST REVISION, ORGANIZATION SHOULD BE CONTACTED FOR THE LATEST REVISION.</small>		DWN: WYLEE CBY: SF LEONG APD: SF LEONG	05JAN2005 NAME: RECEPTACLE ASSY, 8 POS, MINIATURE CIRCULAR DIN PRODUCT SPEC: 108-1225 APPLICATION SPEC: - WEIGHT: - CUSTOMER DRAWING	Tyco Electronics Singapore Pte. Ltd.
DIMENSIONS: mm [INCHES]	TOLERANCES UNLESS OTHERWISE SPECIFIED: 0 PLC ± 1 PLC ± 5 PLC ± 4 PLC ± ANGLES ±0°30'	SIZE: A1 CAGE CODE: 00779 DRAWING NO: 5749267	P/N: 5749267-1 AS SHOWN SCALE: 5:1 SHEET: 1 OF 1 REV: 0	