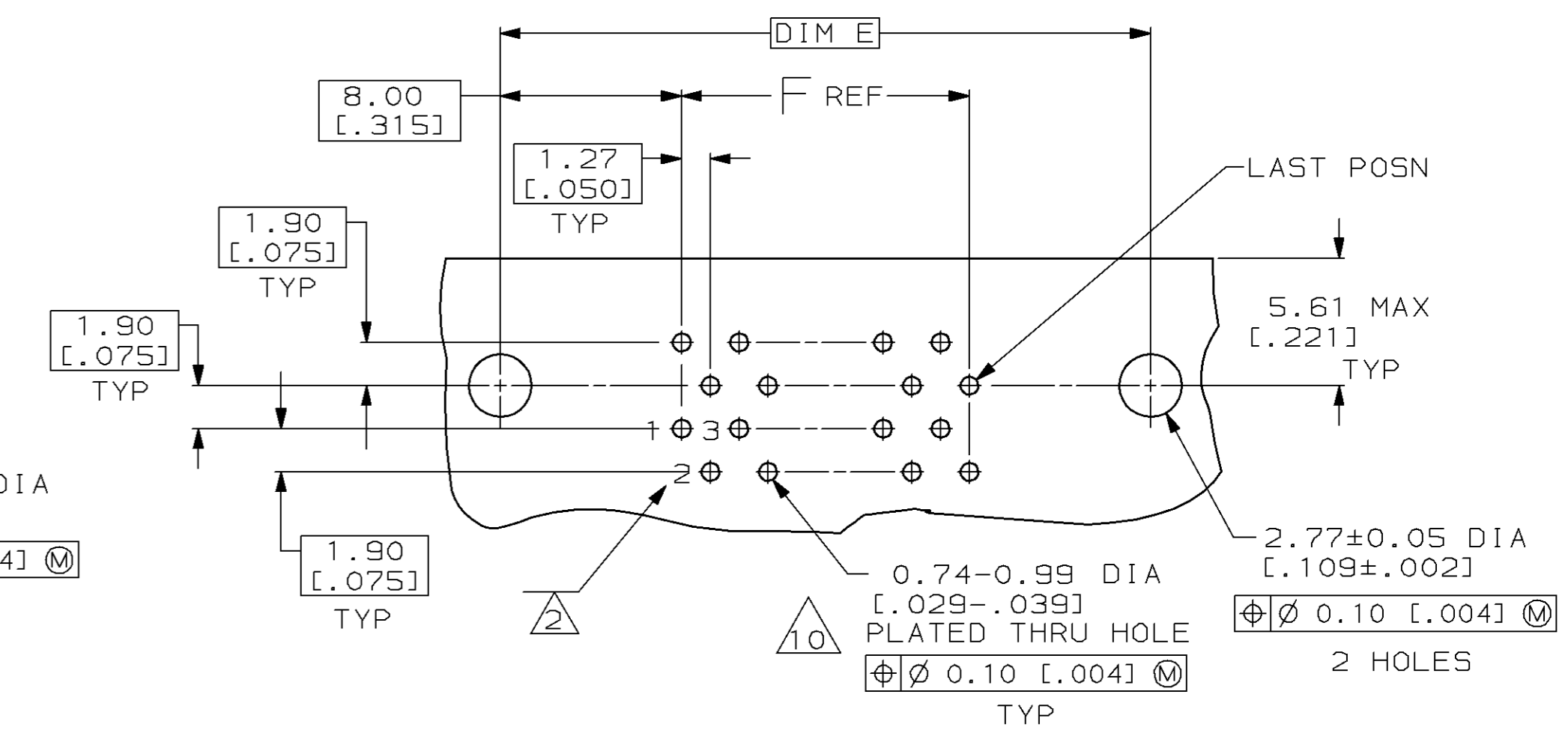
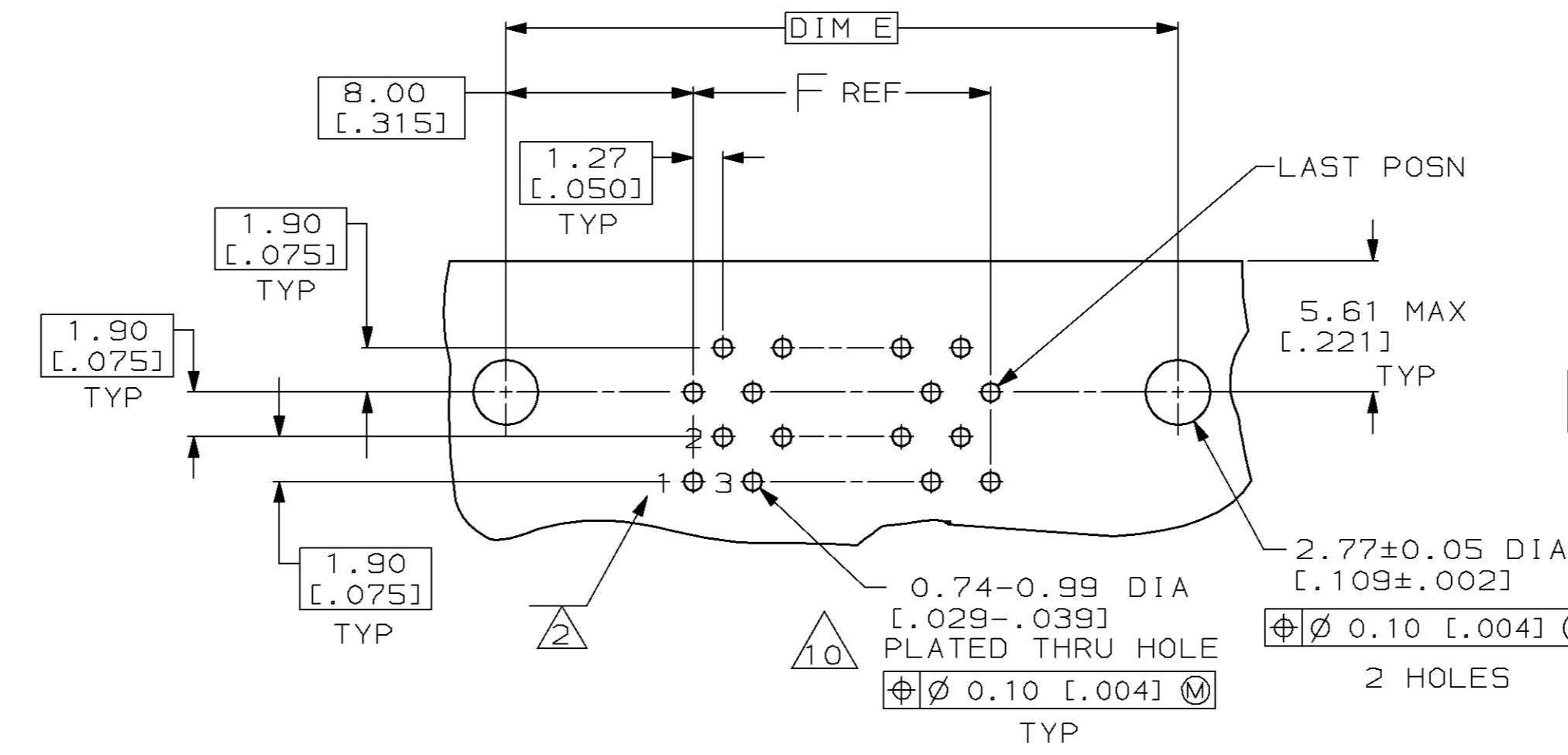
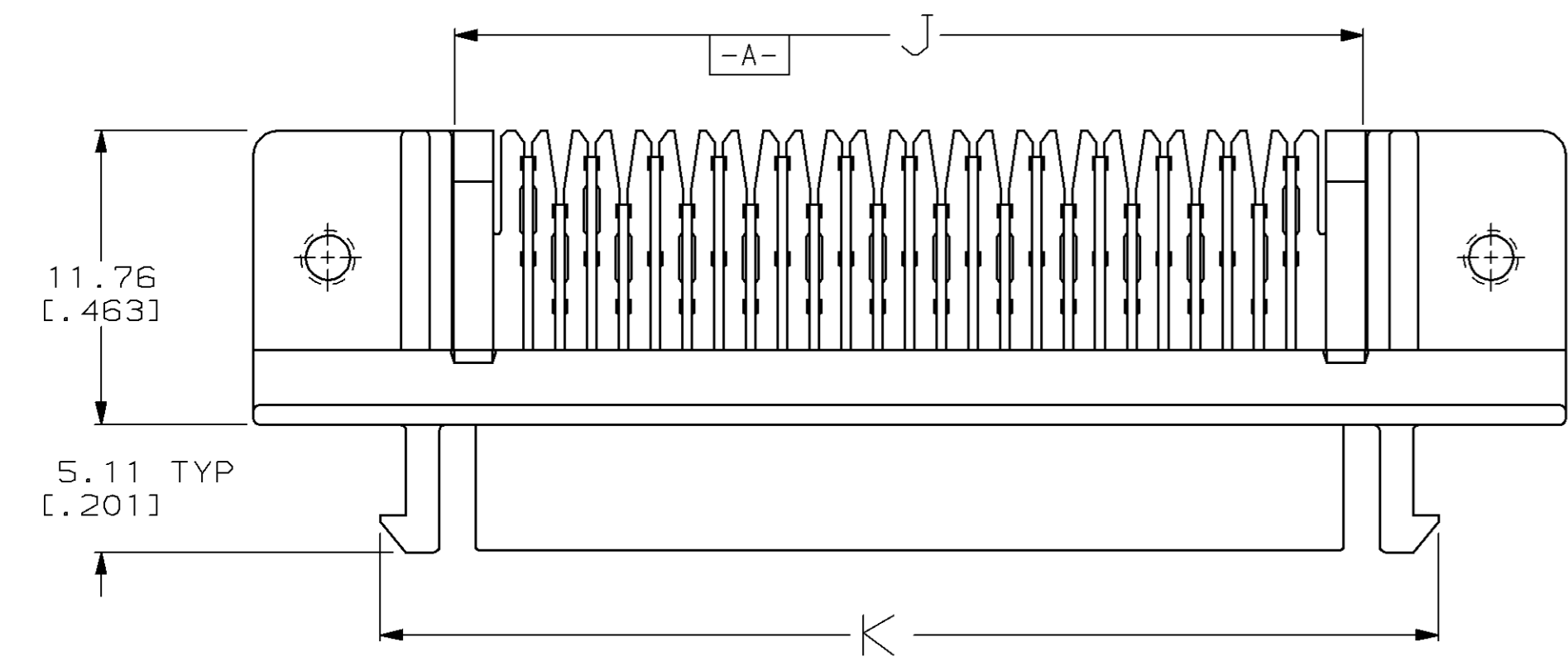


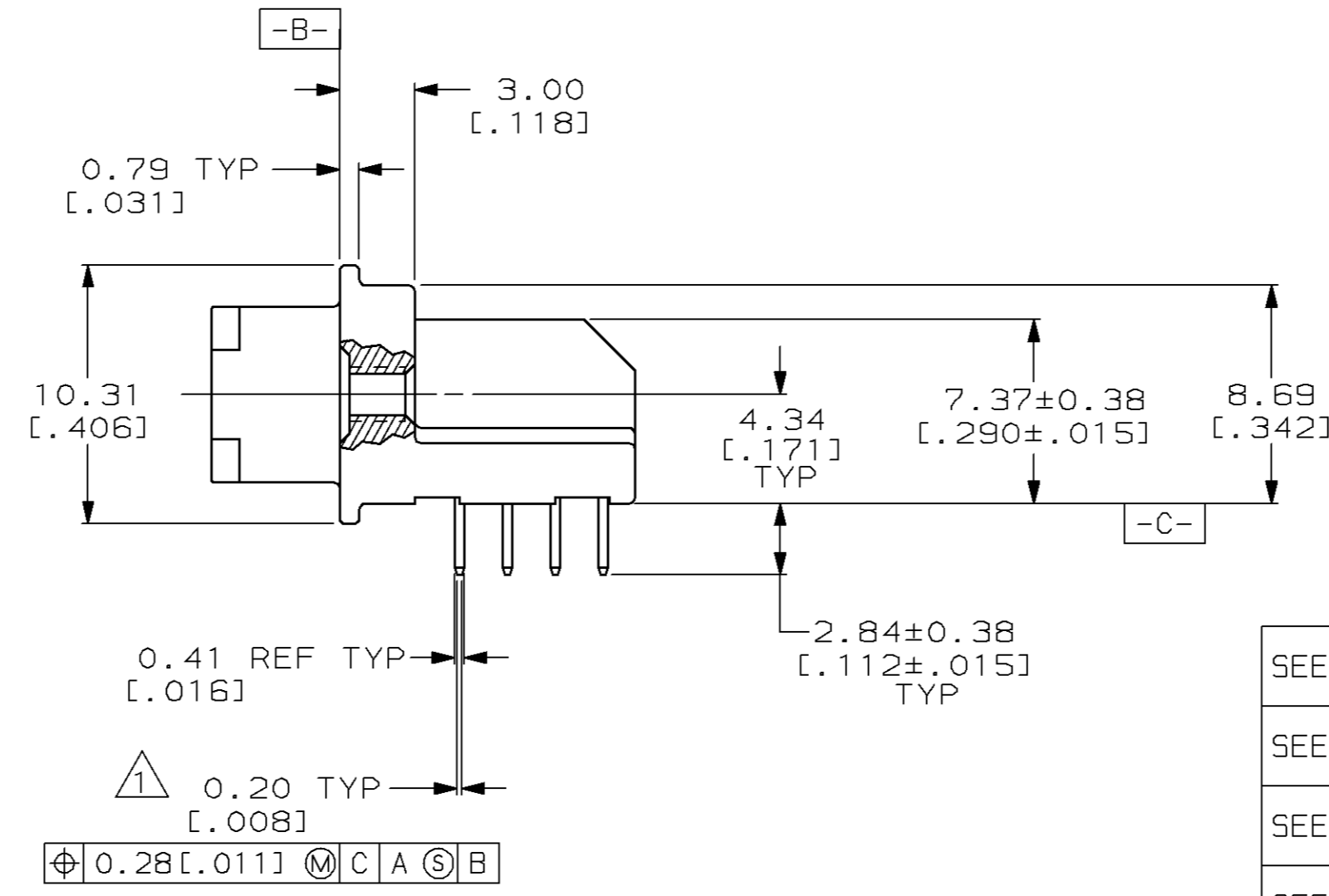
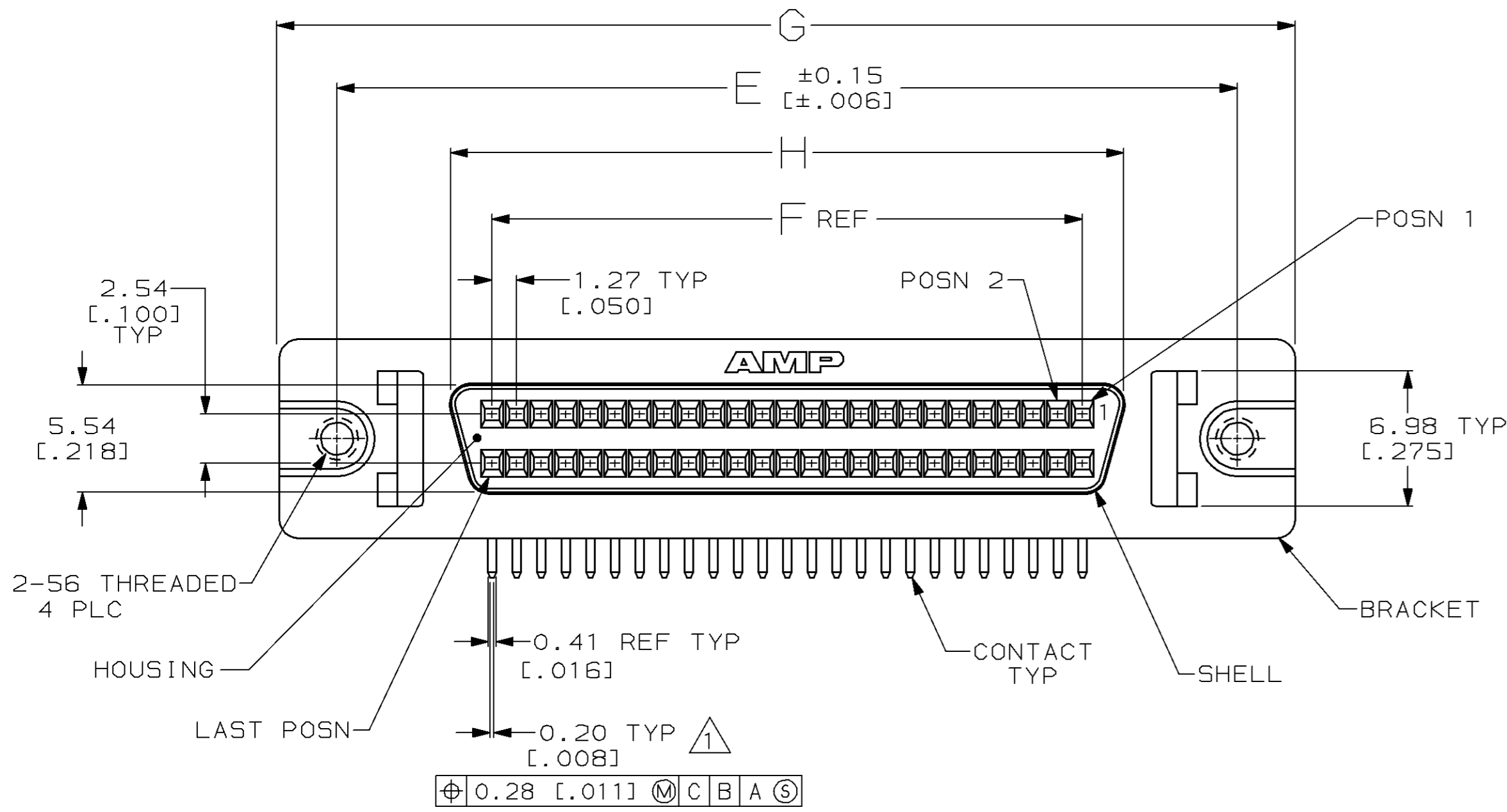
LOC	DIST	P	F	ZONE	LTR	REVISIONS	DATE	APPD
	95				K	SUPERSEDE -1, -5 AND -7	17 APR 97	RW
					L	PER EC 0410-41-96		
						OBSOLETE -8	28 AUG 97	RW
						PER EC 0410-173-96		



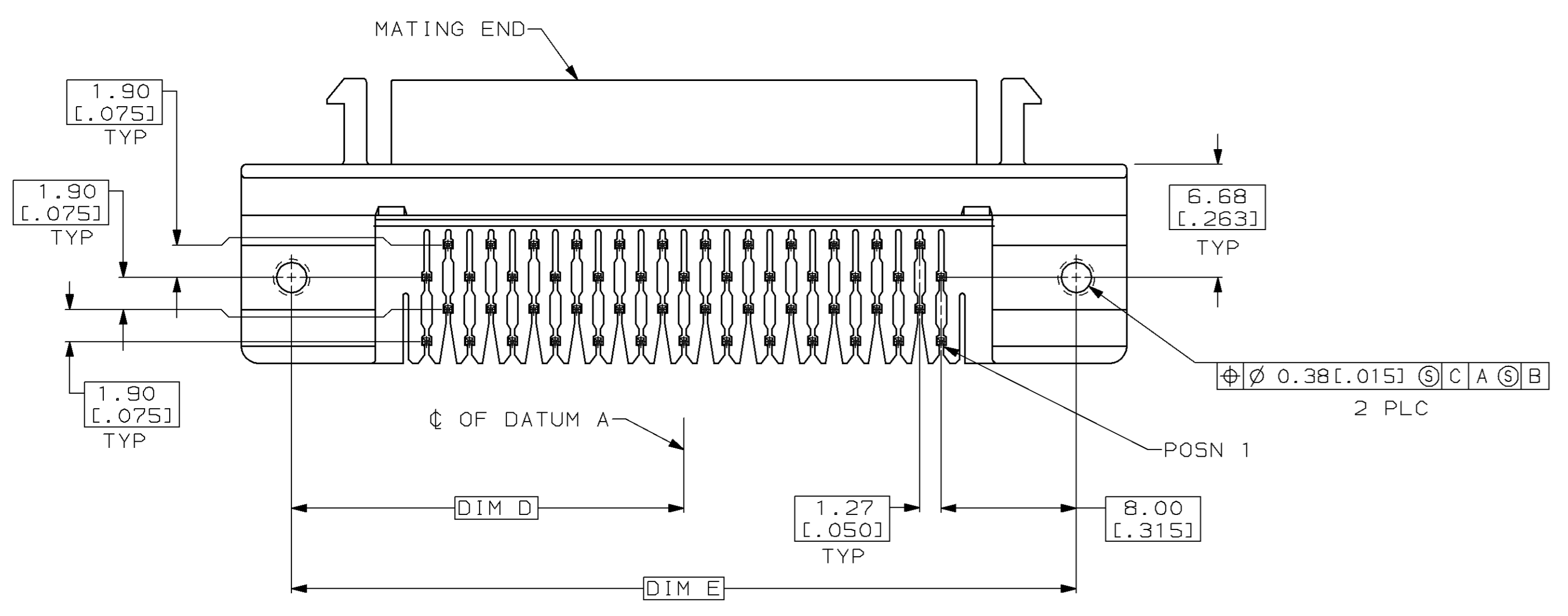
DETAIL Y

RECOMMENDED PC BOARD MOUNTING DIMENSIONS  
 CONNECTOR SIDE  
 PC BOARD THICKNESS 1.57±0.18 [0.062±.007]

DETAIL X



- 1 POSITION TOLERANCE APPLIES AT CONTACT TIP.
- 2 POSITION NUMBERS SHOWN FOR REFERENCE ONLY.
- 3 POLYESTER, UL 94V-0 RATED, BLACK.
- 4 CARBON STEEL.
- 5 PHOSPHOR BRONZE.
- 6 ZINC.
- 7 5.08µm [0.000200] MIN TIN OVER 1.27µm [0.000050] MIN COPPER.
- 8 2.54µm [0.000100] MIN NICKEL OVER 5.08µm [0.000200] MIN COPPER.
- 9 0.76µm [0.000030] MIN GOLD FOR A LENGTH OF 0.64 [0.025] MIN 0.13 [0.005] MAX FROM MATING END, 3.05µm [0.000120] MIN TIN-LEAD FOR A LENGTH OF 4.04 [0.159] MIN FROM OPPOSITE END, BOTH OVER 1.27µm [0.000050] MIN NICKEL.
- 10 ACTUAL HOLE SIZE USED WILL DEPEND ON TRACE ROUTING REQUIREMENTS BETWEEN HOLES AND CONNECTOR PLACEMENT TECHNIQUE.
- 11 OBSOLETE PART NUMBER.



- 12 SUPERSEDED BY 787394-2
- 13 SUPERSEDED BY 787394-5
- 14 SUPERSEDED BY 787394-7

SEE DETAIL X	86.74 [3.415]	80.77 [3.180]	79.15 [3.116]	96.90 [3.815]	74.93 [2.950]	90.93 [3.580]	45.47 [1.790]	120	11 1-749649-0
SEE DETAIL X	74.04 [2.915]	68.07 [2.680]	66.45 [2.616]	84.20 [3.315]	62.23 [2.450]	78.23 [3.080]	39.12 [1.540]	100	11 749649-9
SEE DETAIL X	61.34 [2.415]	55.37 [2.180]	53.75 [2.116]	71.50 [2.815]	49.53 [1.950]	65.53 [2.580]	32.77 [1.290]	80	11 749649-8
SEE DETAIL X	53.72 [2.115]	47.75 [1.880]	46.13 [1.816]	63.88 [2.515]	41.91 [1.650]	57.91 [2.280]	28.96 [1.140]	68	14 749649-7
SEE DETAIL X	48.64 [1.915]	42.67 [1.680]	41.05 [1.616]	58.80 [2.315]	36.83 [1.450]	52.83 [2.080]	26.42 [1.040]	60	11 749649-6
SEE DETAIL Y	42.29 [1.665]	36.32 [1.430]	34.70 [1.366]	52.45 [2.065]	30.48 [1.200]	46.48 [1.830]	23.24 [0.915]	50	13 749649-5
SEE DETAIL X	35.94 [1.415]	29.97 [1.180]	28.35 [1.116]	46.10 [1.815]	24.13 [0.950]	40.13 [1.580]	20.07 [0.790]	40	11 749649-4
SEE DETAIL X	28.32 [1.115]	22.35 [0.880]	20.73 [0.816]	38.48 [1.515]	16.51 [0.650]	32.51 [1.280]	16.26 [0.640]	28	11 749649-3
SEE DETAIL X	23.24 [0.915]	17.27 [0.680]	15.65 [0.616]	33.40 [1.315]	11.43 [0.450]	27.43 [1.080]	13.72 [0.540]	20	11 749649-2
SEE DETAIL Y	27.05 [1.065]	21.08 [0.830]	19.46 [0.766]	37.21 [1.465]	15.24 [0.600]	31.24 [1.230]	15.62 [0.615]	26	12 749649-1
PC BOARD PATTERN	K	J	H	G	F	E	D	NO OF POSN	PART NO

DO NOT SCALE PRINT.  
 UNLESS SPECIFIED  
 DIMENSIONS IN mm [INCHES]  
 TOLERANCES ON:  
 2 PLC DEC ± 0.13 [0.005]  
 3 PLC DEC ± -  
 ANGLES ± -

DR 12/16/92  
 0.6ELTZ  
 CHK 4-20-93  
 R.STONE  
 APPD 4-21-93  
 R.WALTER  
 APPD 4-21-93  
 R.WALTER  
 PRODUCT SPEC  
 108-1228  
 APPLICATION SPEC  
 114-40029  
 WEIGHT -

**AMP** AMP Incorporated  
 Harrisburg, PA 17105-3608

NAME  
 RECEPTACLE ASSEMBLY,  
 SHIELDED, RIGHT ANGLE,  
 .050 SERIES AMPLIMITE™

SIZE D  
 CAGE CODE 00779  
 DRAWING NO C-749649

SCALE 4:1  
 SHEET 1 OF 1

THIS DRAWING IS A CONTROLLED DOCUMENT FOR AMP INCORPORATED. IT IS SUBJECT TO CHANGE AND THE CONTROLLING ENGINEERING ORGANIZATION SHOULD BE CONTACTED FOR THE LATEST REVISION.