

NOTES:

1. MATERIALS:

HOUSING: LCP, UL94V-0, COLOUR : BLACK
 TERMINAL: COPPER ALLOY
 FITTING NAIL: COPPER ALLOY

2. FINISHES:

TERMINAL : GOLD 0.14µm MIN. WITH 1.0 µM MIN NICKEL UNDERPLATE OVERALL
 FITTING NAIL : 1.5 µM MIN TIN WITH 1.0µM MIN NICKEL UNDERPLATE OVERALL.

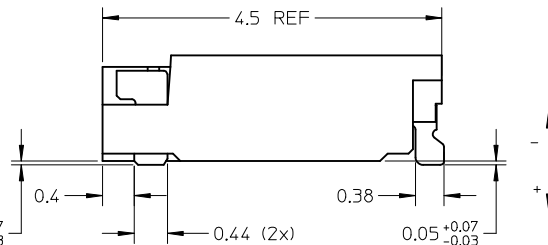
3. PRODUCT SPECIFICATION: PS-78171-010

4. PACKAGING SPECIFICATION: TAPE & REEL PACKAGING

5. MATES WITH MOLEX PART NUMBER 78172-00**

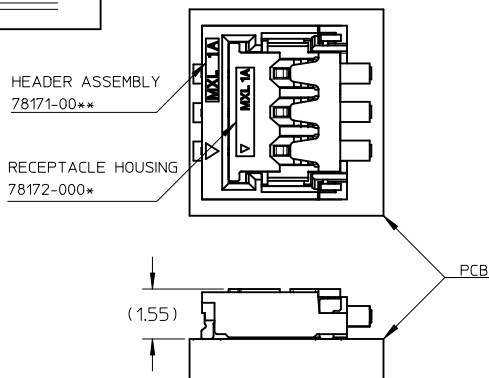
6. 3 CIRCUITS IS SHOWN FOR ILLUSTRATION PURPOSE ONLY
 7. SOLDER TAIL AND FITTING NAIL COPLANARITY : 0.10 MM MAX TO BE MEASURED BY PLACING THE CONNECTOR ON A FLAT GAUGED SURFACE.

8. ELV & RoHS COMPLIANT.

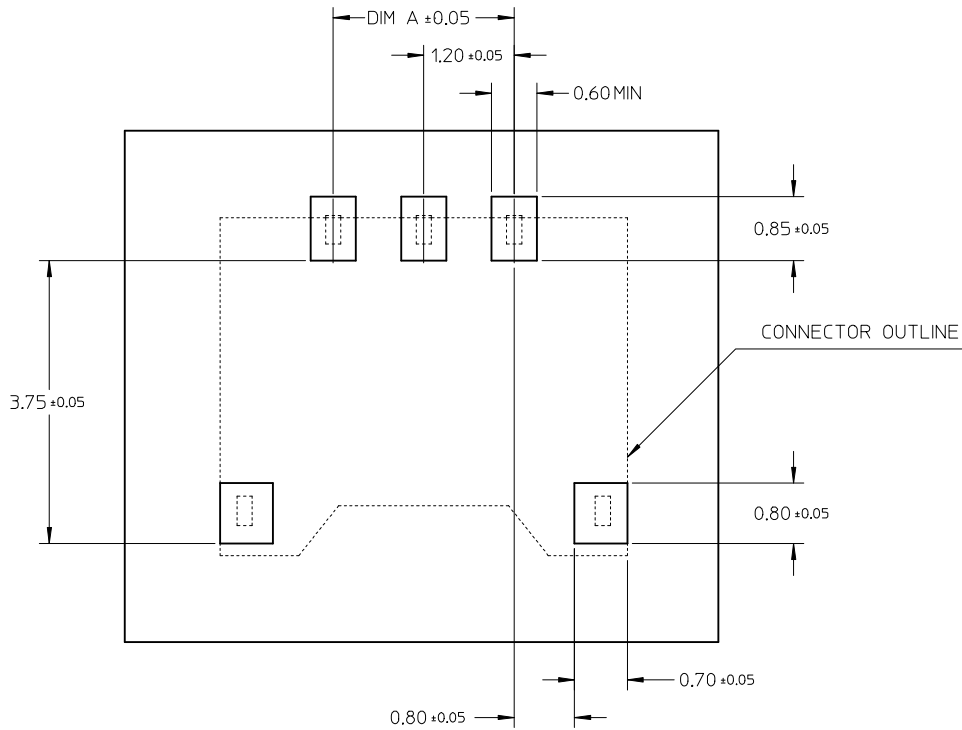


CKT SIZE	PART NUMBER	DIM A	DIM B	DIM C	DIM K
2	78171-0002	1.2	2.6	4.2	1.5
3	78171-0003	2.4	3.8	5.4	2.7
4	78171-0004	3.6	5.0	6.6	3.9
5	78171-0005	4.8	6.2	7.8	5.1

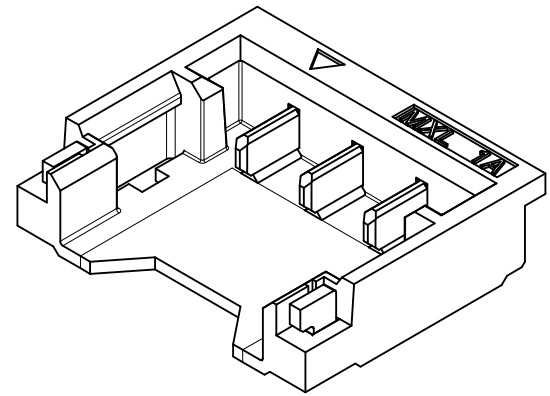
MATING VIEW



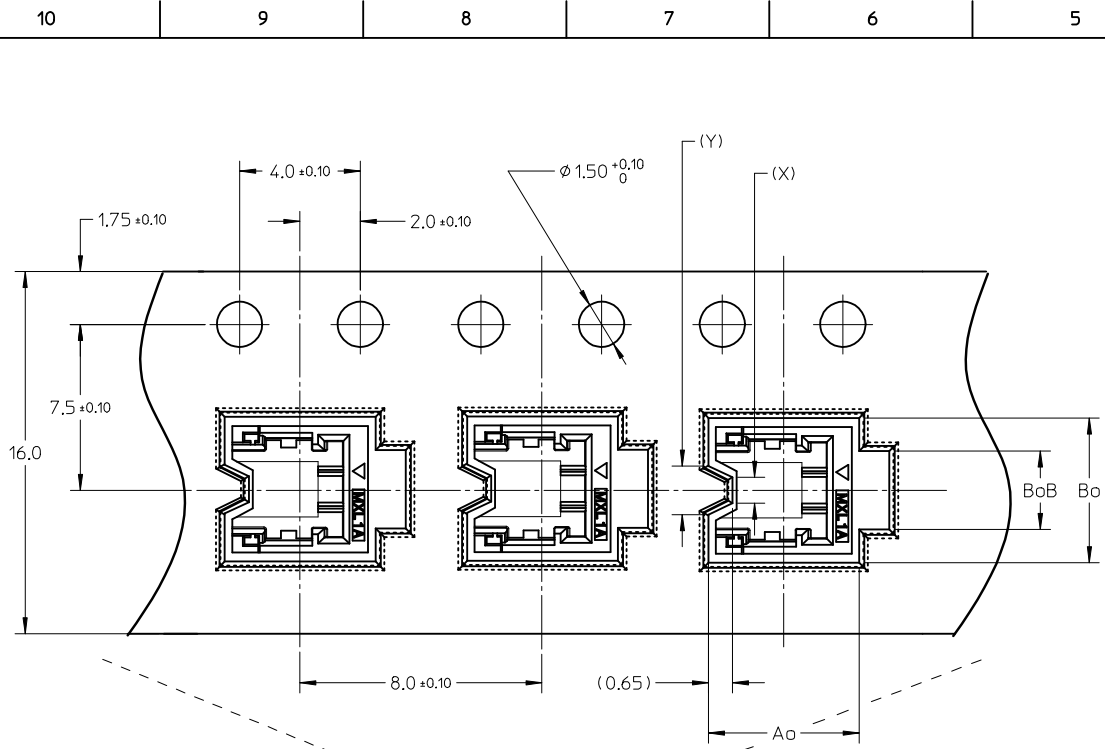
REVISED EC NO: J2013-0147 DRWN: TODA 2012/07/10 CHKD: KASAKAWA 2012/07/10 APPR: YOKITO 2012/11/06	GENERAL TOLERANCES (UNLESS SPECIFIED)		DIMENSION STYLE MM ONLY	SCALE ---	DESIGN UNITS METRIC	THIRD ANGLE PROJECTION	
	10 UNDER ±0.2	10 OVER 30 UNDER ±0.25	30 OVER ±0.3	DRAWN BY CWLAM	DATE 2007/10/25	TITLE 1.20MM PITCH, W-T-B PLUG CONNECTOR	
	ANGULAR ±3°		DRAFT WHERE APPLICABLE MUST REMAIN WITHIN DIMENSIONS	CHECKED BY KSSHANTHA	DATE 2007/12/07	molex	
				APPROVED BY NUKITA	DATE 2010/10/25	MATERIAL NO. SEE CHART	DOCUMENT NO. SD-78171-008
			SIZE A3	THIS DRAWING CONTAINS INFORMATION THAT IS PROPRIETARY TO MOLEX INCORPORATED AND SHOULD NOT BE USED WITHOUT WRITTEN PERMISSION			SHEET NO. 1 OF 3



RECOMMENDED PCB LAYOUT



SEE SHEET 1 EC NO: J2013-0147 2012/07/10 DRWN: TODA 2012/07/10 CHKD: KASAKAWA 2012/11/06 APPR: Y01 TO	GENERAL TOLERANCES (UNLESS SPECIFIED)		DIMENSION STYLE MM ONLY	SCALE ---	DESIGN UNITS METRIC	THIRD ANGLE PROJECTION
	10 UNDER	±0.2	DRAWN BY CWLAM	DATE 2007/10/25	TITLE 1.20MM PITCH, W-T-B PLUG CONNECTOR	
	10 OVER 30 UNDER	±0.25	CHECKED BY KSSHANTHA	DATE 2007/12/07		
	30 OVER	±0.3	APPROVED BY NUKITA	DATE 2010/10/25		
ANGULAR ±3 °	DRAFT WHERE APPLICABLE MUST REMAIN WITHIN DIMENSIONS	MATERIAL NO. SEE SHEET 1	DOCUMENT NO. SD-78171-008	SHEET NO. 2 OF 3		
		SIZE A3	THIS DRAWING CONTAINS INFORMATION THAT IS PROPRIETARY TO MOLEX INCORPORATED AND SHOULD NOT BE USED WITHOUT WRITTEN PERMISSION			



NOTES:

- LEADER AND TRAILER TAPE
- PEELING OFF FORCE OF THE TOP TAPE: 20 - 80gf.
 (PEELING DIRECTION AS SHOWN IN FOLLOWING FIGURE)
- TAPE AND REEL SPECIFICATION IS AS PER EIA-481.
- TAPE AND REEL QUANTITY : 4500 PCS/ REEL.
- MATERIAL : CARRIER TAPE : PP CLEAR
 REEL / FLANGE : PS, COLOUR : BLACK
- Ao & Bo ARE MEASURED ON A PLANE 0.3MM ABOVE THE BOTTOM OF THE POCKET.

CKT	Ao	Bo	BoB	(X)	(Y)
2	5.0	4.7	2.6	0.74	1.54
3	5.0	5.9	3.8	1.94	2.74
4	5.0	7.1	5.0	3.14	3.94
5	5.0	8.3	6.2	4.34	5.14

SEE SHEET 1 EC NO: J2013-0147 DRWN: TODA CHKD: KASAKAWA APPR: YOITTO	GENERAL TOLERANCES (UNLESS SPECIFIED)		DIMENSION STYLE MM ONLY		SCALE ---	DESIGN UNITS METRIC	THIRD ANGLE PROJECTION	
	10 UNDER	± 0.2	DRAWN BY CWLAM	DATE 2007/10/25	TITLE 1.20MM PITCH, W-T-B PLUG CONNECTOR			
	10 OVER 30 UNDER	± 0.25	CHECKED BY KSSHANTHA	DATE 2007/12/07				
	30 OVER	± 0.3	APPROVED BY NUKITA	DATE 2010/10/25				
ANGULAR $\pm 3^\circ$		DRAFT WHERE APPLICABLE MUST REMAIN WITHIN DIMENSIONS		MATERIAL NO. SEE SHEET 1	DOCUMENT NO. SD-78171-008	SHEET NO. 3 OF 3		
				THIS DRAWING CONTAINS INFORMATION THAT IS PROPRIETARY TO MOLEX INCORPORATED AND SHOULD NOT BE USED WITHOUT WRITTEN PERMISSION				