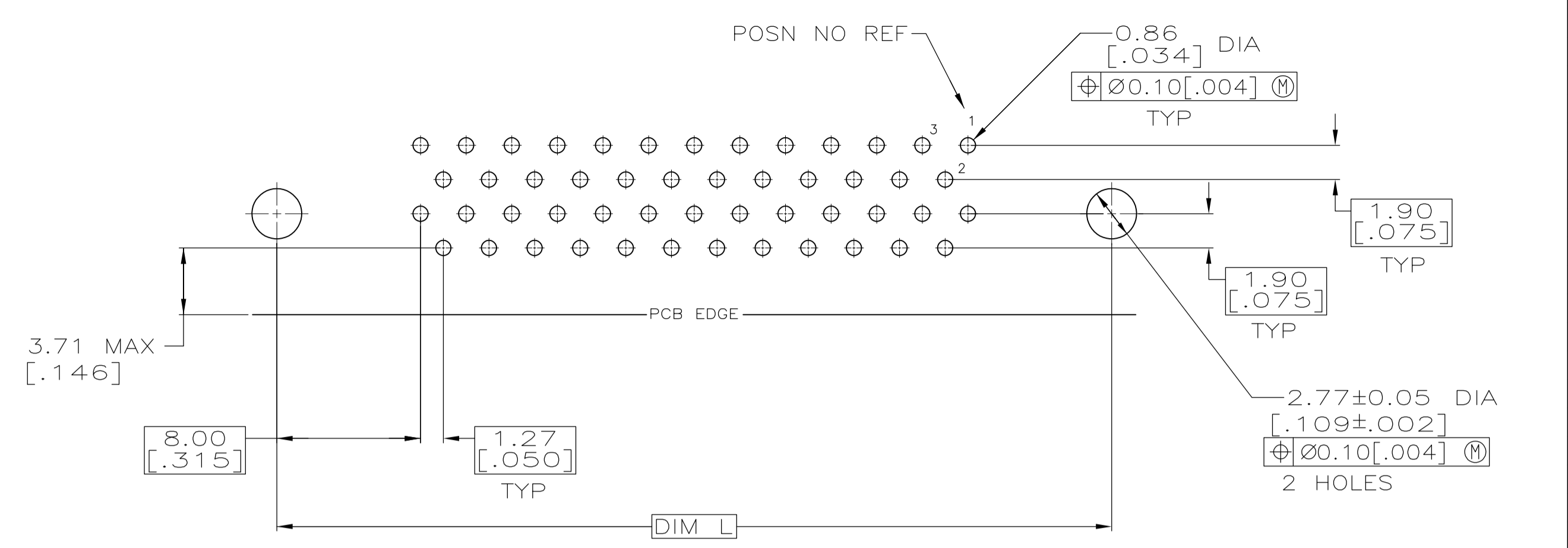
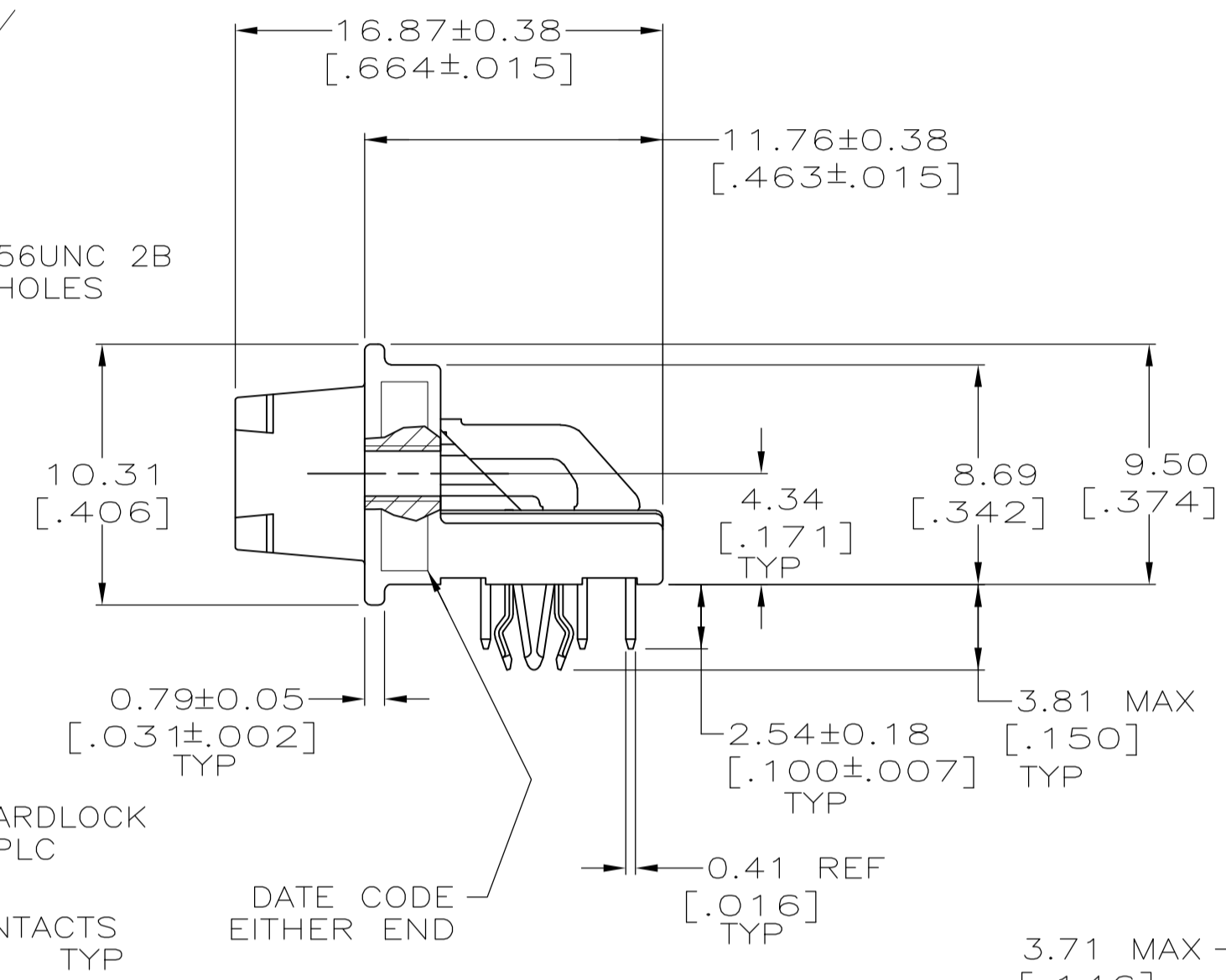
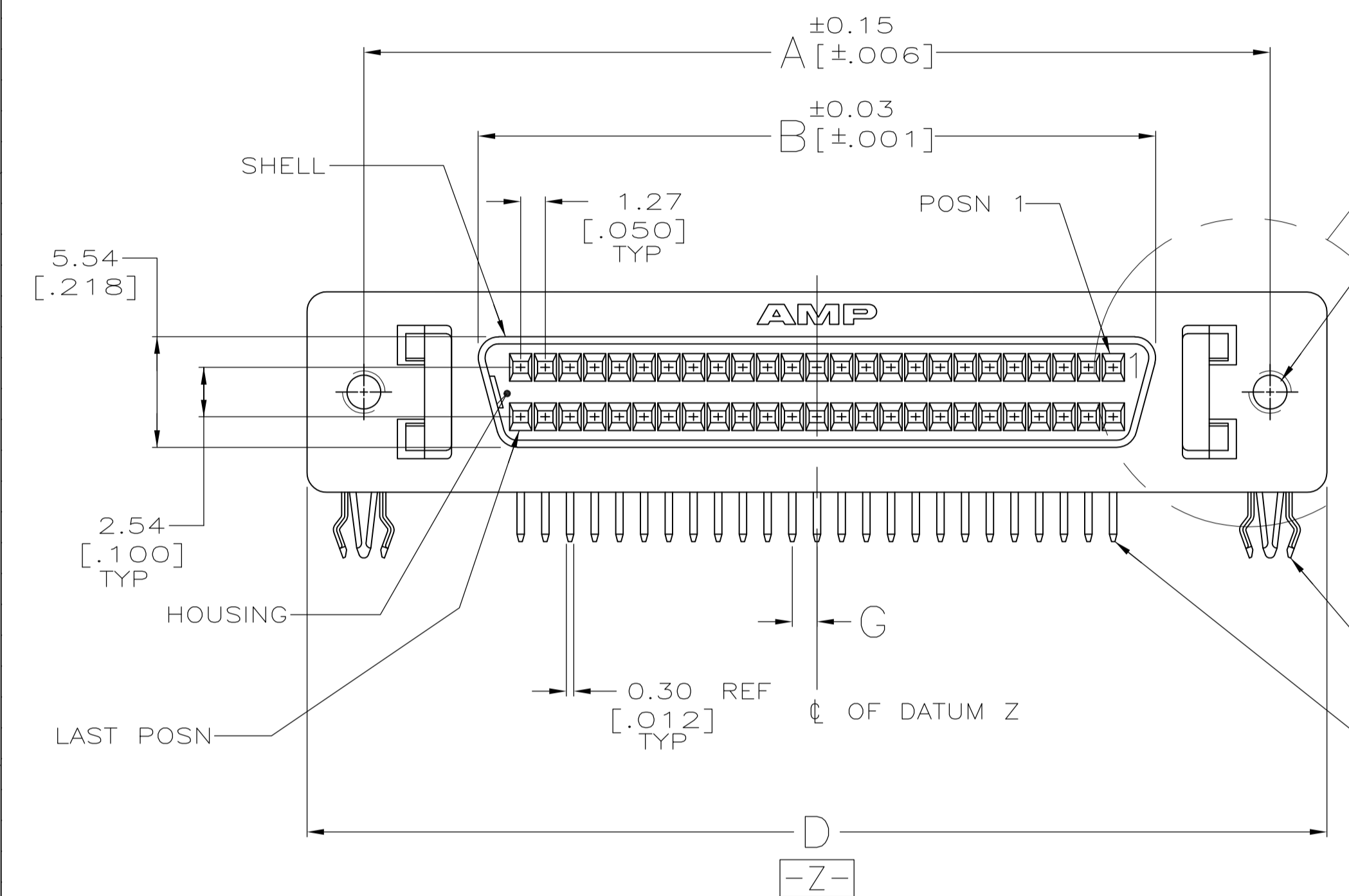
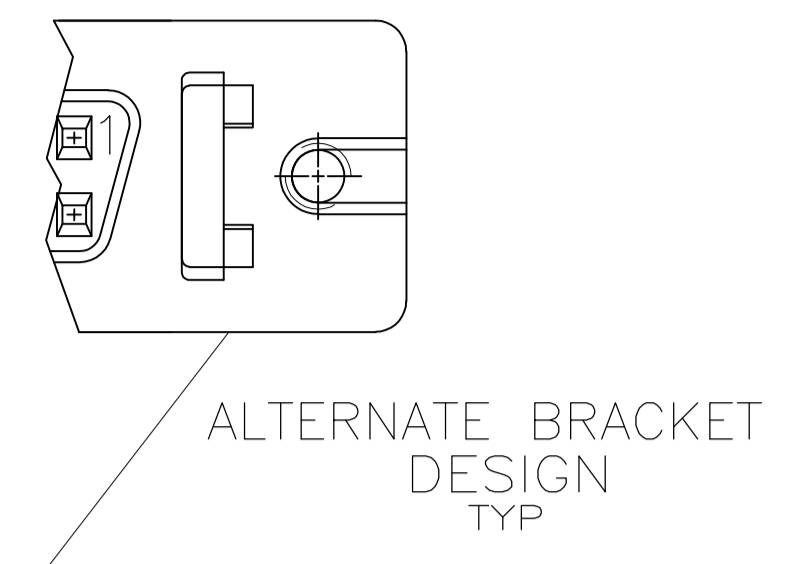
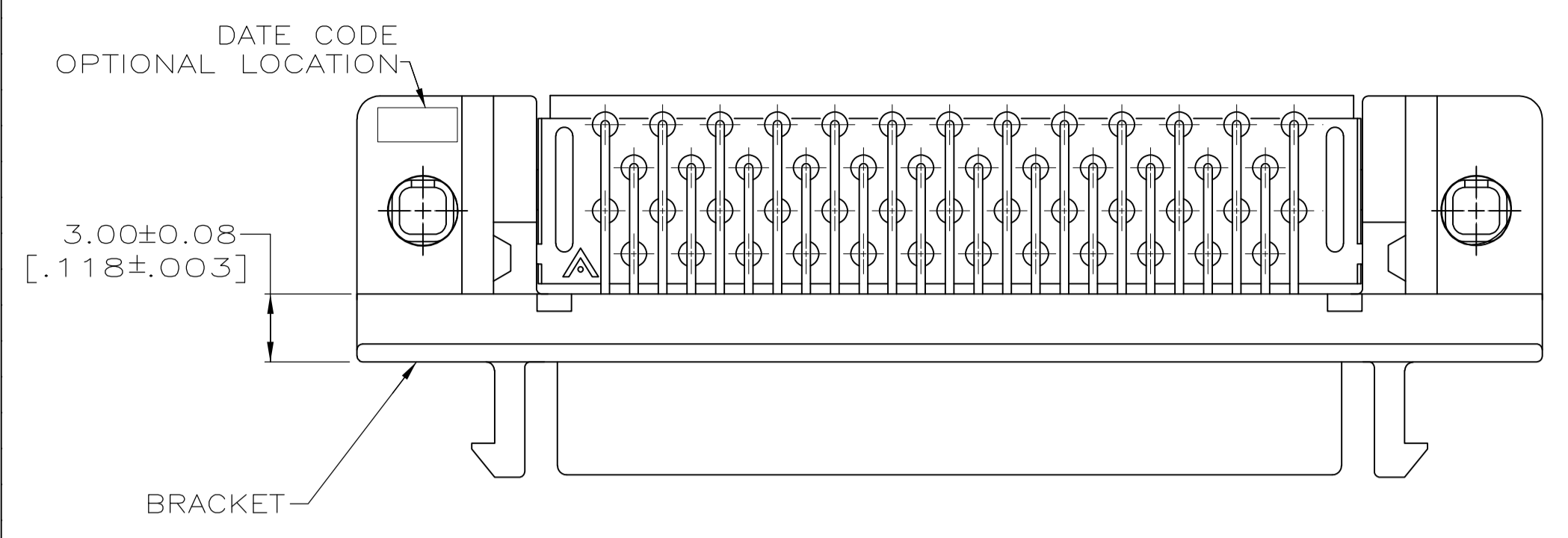
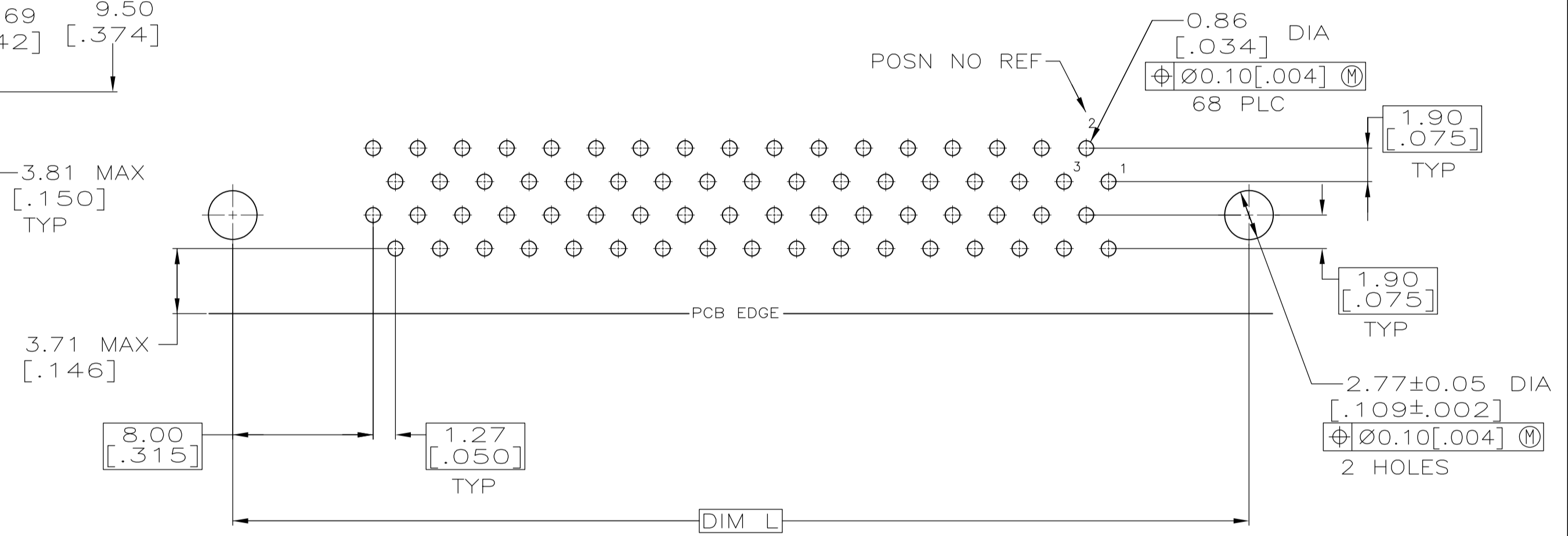


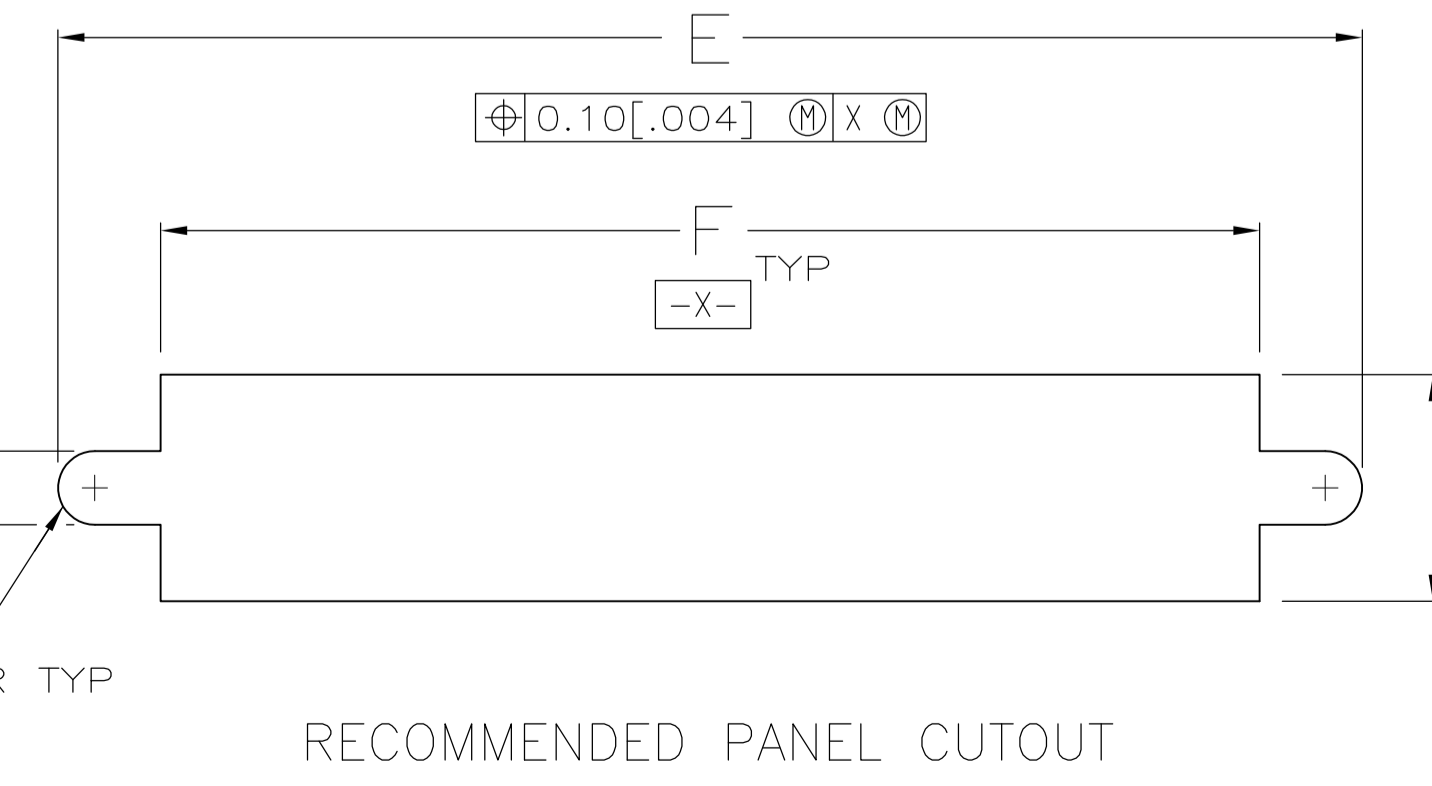
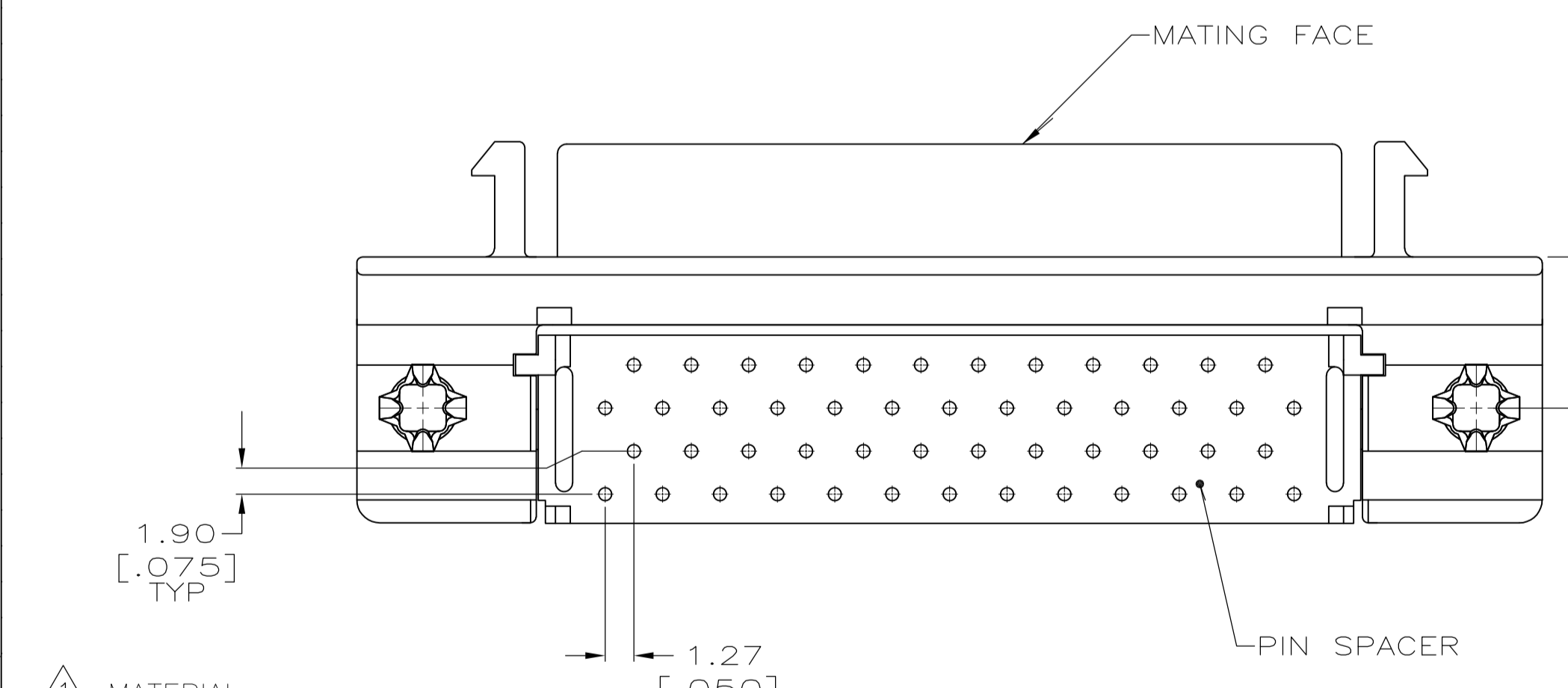
| LOC |    | DIST |           | REVISIONS |     |      |  |
|-----|----|------|-----------|-----------|-----|------|--|
| GP  | 00 | REV  | DATE      | BY        | CHK | APPV |  |
|     |    | Y    | 17DEC2008 | ZMR       | SLB |      |  |
|     |    | Y1   | 18JAN2010 | KK        | HMR |      |  |



P.C. BOARD MOUNTING DIMENSIONS  
 CONNECTOR SIDE  
 P.C. BOARD THICKNESS 1.57±0.20 [.062±.008]  
 PC BOARD PATTERN S



P.C. BOARD MOUNTING DIMENSIONS  
 CONNECTOR SIDE  
 P.C. BOARD THICKNESS 1.57±0.20 [.062±.008]  
 PC BOARD PATTERN T



5 SUPERSEDED BY 5787082-5  
 OBSOLETE

| PACKAGING | BOARDLOCK FINISH | PC BOARD PATTERN | L                | G              | F                | E                | D                | B                | A                | NO OF POSN | PART NUMBER |
|-----------|------------------|------------------|------------------|----------------|------------------|------------------|------------------|------------------|------------------|------------|-------------|
| TUBE      | 4                | T                | 78.23<br>[3.080] | 0.64<br>[.025] | 74.55<br>[2.935] | 80.67<br>[3.176] | 84.20<br>[3.315] | 66.45<br>[2.616] | 78.23<br>[3.080] | 100        | 1-787082-8  |
| TUBE      | 4                | T                | 57.91<br>[2.280] | 0.64<br>[.025] | 54.23<br>[2.135] | 60.35<br>[2.376] | 63.88<br>[2.515] | 46.13<br>[1.816] | 57.91<br>[2.280] | 68         | 1-787082-7  |
| TUBE      | 4                | S                | 46.48<br>[1.830] | 1.27<br>[.050] | 42.80<br>[1.685] | 48.92<br>[1.926] | 52.45<br>[2.065] | 34.70<br>[1.366] | 46.48<br>[1.830] | 50         | 4-787082-6  |
| TRAY      | 3                | S                | 46.48<br>[1.830] | 1.27<br>[.050] | 42.80<br>[1.685] | 48.92<br>[1.926] | 52.45<br>[2.065] | 34.70<br>[1.366] | 46.48<br>[1.830] | 50         | 1-787082-5  |
| TUBE      | 3                | T                | 78.23<br>[3.080] | 0.64<br>[.025] | 74.55<br>[2.935] | 80.67<br>[3.176] | 84.20<br>[3.315] | 66.45<br>[2.616] | 78.23<br>[3.080] | 100        | 787082-9    |
| TUBE      | 3                | T                | 57.91<br>[2.280] | 0.64<br>[.025] | 54.23<br>[2.135] | 60.35<br>[2.376] | 63.88<br>[2.515] | 46.13<br>[1.816] | 57.91<br>[2.280] | 68         | 787082-7    |
| TUBE      | 3                | S                | 46.48<br>[1.830] | 1.27<br>[.050] | 42.80<br>[1.685] | 48.92<br>[1.926] | 52.45<br>[2.065] | 34.70<br>[1.366] | 46.48<br>[1.830] | 50         | 787082-5    |
| TUBE      | 3                | T                | 32.51<br>[1.280] | 0.64<br>[.025] | 28.83<br>[1.135] | 34.95<br>[1.376] | 38.48<br>[1.515] | 20.73<br>[.816]  | 32.51<br>[1.280] | 28         | 787082-3    |
| TUBE      | 3                | S                | 31.24<br>[1.230] | 1.27<br>[.050] | 27.56<br>[1.085] | 33.68<br>[1.326] | 37.21<br>[1.465] | 19.46<br>[.766]  | 31.24<br>[1.230] | 26         | 787082-2    |

1 MATERIAL  
 CONTACTS: PHOSPHOR BRONZE  
 HOUSING & PIN SPACER: UL 94V-0 RATED, THERMOPLASTIC, BLACK  
 BRACKET: ZINC  
 SHELL: CARBON STEEL  
 BOARDLOCKS: COPPER ALLOY.

2 FINISH  
 CONTACTS: EITHER 0.76µm [.000030] MIN GOLD PLATE FOR A LENGTH OF 0.64 [.025] MAX, 0.13 [.005] MIN FROM MATING END OR GOLD FLASH OVER PALLADIUM NICKEL PLATE, 0.76µm [.000030] MIN TOTAL FOR A LENGTH OF 0.64 [.025] MAX, 0.13 [.005] MIN FROM MATING END. 3.81µm [.000150] MIN TIN-LEAD FOR A LENGTH OF 2.72 [.107] MIN FROM OPPOSITE END, ALL OVER 1.27µm [.000050] MIN NICKEL UNDERPLATE.  
 SHELL: 5.08µm [.000200] MIN NICKEL OVER 1.27µm [.000050] MIN COPPER.  
 BRACKET 2.54µm [.000100] MIN NICKEL OVER 5.08µm [.000200] COPPER.

3 5.08µm [.000200] MIN TIN-LEAD OVER 1.27µm [.000050] MIN NICKEL.

4 3.00µm [.000118] MIN TIN OVER 1.27µm [.000050] MIN NICKEL.

5 OBSOLETE PARTS: OBSOLETE CIS STREAMLINING PER D.RENAUD/D.SINISI

THIS DRAWING IS A CONTROLLED DOCUMENT. D. BROCKWAY 12-14-93 R. STONE 1-5-94

Tyco Electronics Corporation  
 Harrisburg, PA 17105-3608

RECEPTACLE ASSEMBLY, SHIELDED, RIGHT ANGLE, .050 SERIES, AMPLIMITE

114-40029

0779C=787082

SCALE 4:1 SHEET 1 OF 1 REV Y1