

PRODUCT NUMBER
98414-XXX-XX-XXXLF

PLATING _____
S = 0.38µm GOLD/GXT ON CONTACT AREA
3.81µm TIN LEAD ON TAIL
G = 0.76µm GOLD/GXT ON CONTACT AREA
3.81µm TIN LEAD ON TAIL
F = GOLD FASH ON CONTACT AREA
3.81µm TIN LEAD ON TAIL

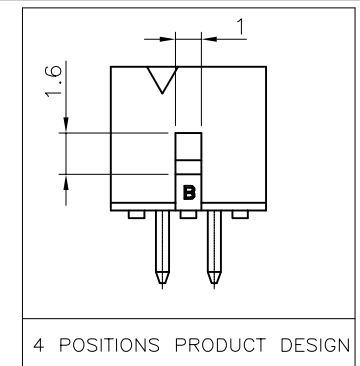
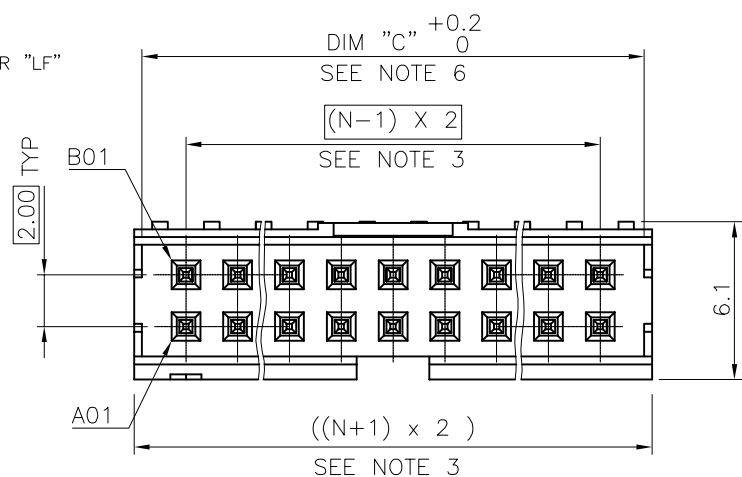
WHEN REQUIRED, ADD SUFFIX LETTER "LF"
INDICATES THE PRODUCT IS RoHS
COMPATIBLE, SEE NOTE 8

POLARIZATION, SEE NOTE 7

PACKAGING, SEE NOTE 5

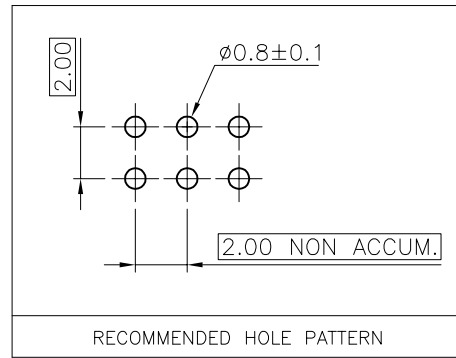
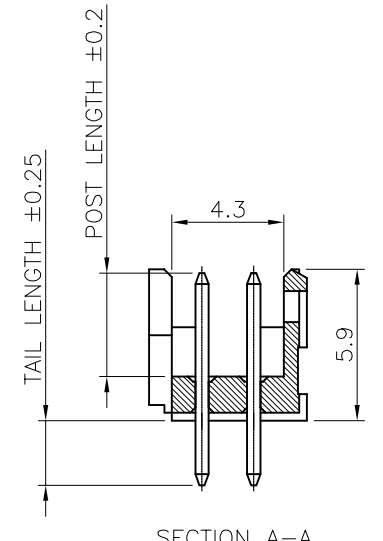
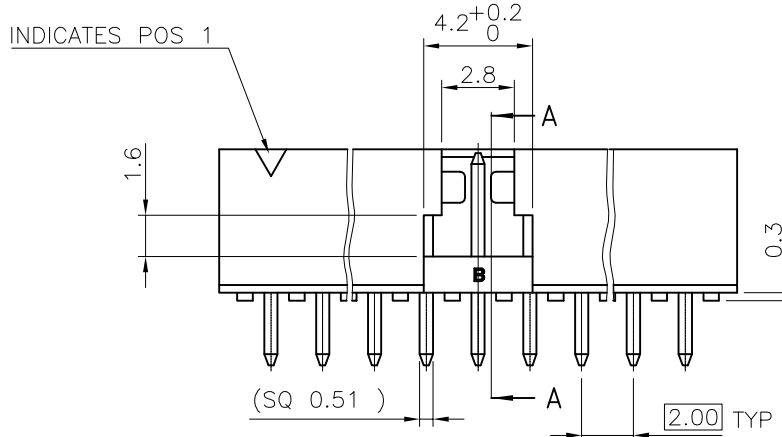
TOTAL NB OF POSITIONS, 04 TO 50 POS

PIN STYLE	POST LENGTH	TAIL LENGTH
06	4.00	2.50
08	4.00	3.10
10	4.00	3.70

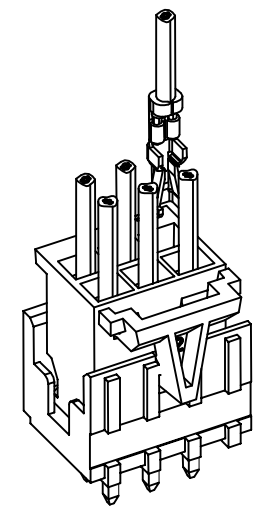
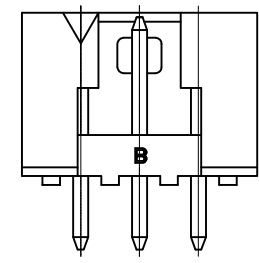
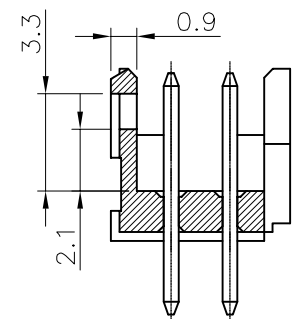
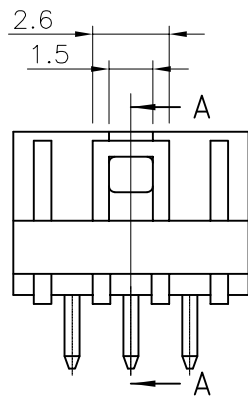


NOTES:

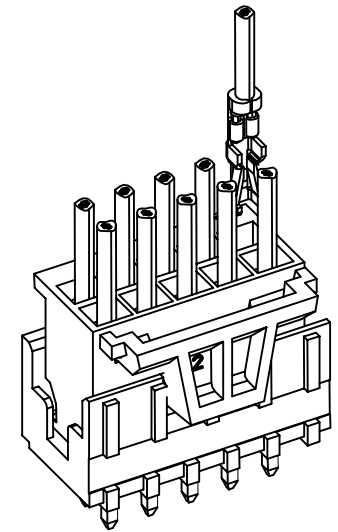
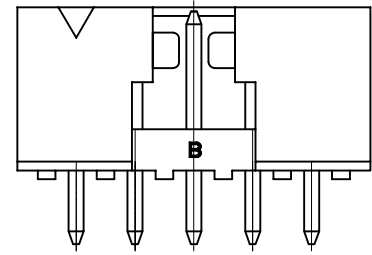
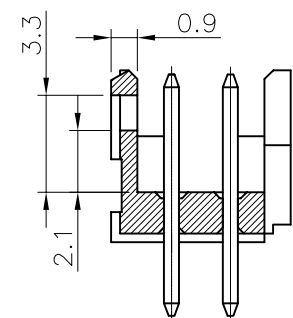
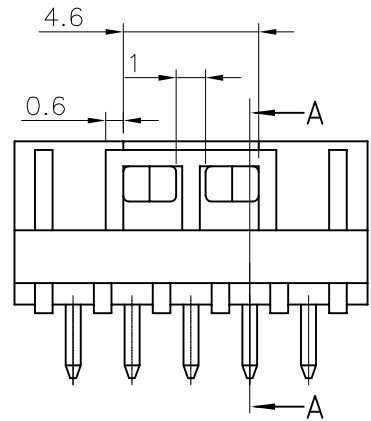
- MATERIAL HOUSING: HIGH TEMP. THERMOPLASTIC
UL 94V-0, COLOR CREAM
- MATERIAL TERMINAL: COPPER ALLOY
- TO DETERMINE DIMENSIONS:
N = NUMBER OF POSITIONS PER ROW
- 7N MIN. PIN RETENTION IN EITHER DIRECTION.
- PACKAGING:
= PLASTIC BOX
- = PLASTIC BOX WHEN POLARISATION FEATURE APPLICABLE
U = TUBE AVAILABLE FROM 06 TO 50 POS
- DIM "C" = (N x 2) + 1.4
EXAMPLE: N = 7
DIM "C" = (7 x 2) + 1.4 = 15.4 mm
- FOR POLARIZATION, SPECIFIED PIN
EXAMPLE : A03 = ROW A, POSITION 03 TO OMIT PIN
OMIT FROM PRODUCT NUMBER IF THIS FEATURE IS NOT APPLICABLE.
- RoHS COMPATIBLE PRODUCT SPECIFICATIONS
 - a - PLATING:
- "LF" MEANS THE PRODUCT IS LEAD-FREE,
2µm MINIMUM MATTE TIN OVER 1.27µm
MINIMUM NICKEL UNDERPLATE.
 - b - MANUFACTURING PROCESS COMPATIBILITY
- THE HOUSING WILL WITHSTAND EXPOSURE TO
260°C ±5°C SOLDER BATH TEMPERATURE FOR
5 SECONDS IN A WAVE SOLDER APPLICATION
WITH A 1.6mm MIN THICK CIRCUIT BOARD.
 - c - LABELLING:
- MEETS PACKAGING SPECS AS PER GS-14-920
 - d - THIS PRODUCT MEETS EUROPEAN DIRECTIVES
AND OTHER COUNTRY REGULATIONS AS DISCRIBED
IN GS-22-008.



mat'l. code SEE NOTES		surface ISO 1302	tolerance ISO 406	projection ISO 101	product family MINITEK
ltr	ecn no	dr	date	tolerances unless otherwise specified	title
G	F04-0186	LMU	04.05.10	angles	SHR HEADER 2.00 VERTICAL TMT
H	F04-0351	JCO	05.01.13	linear	
J	F05-0278	LMU	05.10.19	X.X ±0.3 X.XX ±0.13 X.XXX ±0.05	scale 1:1
K	F06-0210	LMU	06.07.05	dr	FCI
L	F08-0113	LMU	08.01.17	engr	
M	F08-0145	ELA	15.04.08	chr	
N	F09-0211	JCO	09.11.03	appd	
sheet	revision	M	A		dwg no
index	sheet	1	2		98414
					sheet 1 of 2
					size
					A3
					type
					CUSTOMER Drawing



2x3 POS AND 2x4 POS CONFIGURATION
NO LATCHING AVAILABLE FOR 2x2 POS



2x5 POS UP TO 2x25 POS CONFIGURATION

LATCHING FEATURES WHEN USED IN COMBINATION
WITH ACTIVE LATCH HOUSING 10073599

mat'l. code		surface		tolerance		projection		product family	
SEE NOTES		ISO 1302		ISO 406 ISO 101				MINITEK	
ltr	ecn no	dr	date	tolerances unless otherwise specified		mm		title	
A	F08-0113	LMU	08.01.17	angles	linear	X.X ±0.3		SHR HEADER	
						X.XX ±0.13		2.00 VERTICAL TMT	
						X.XXX ±0.05		scale 1:1	
				dr	L.MULIN	07.11.06		sheet 2 of - size	
				engr	J.COMPAGNON	07.11.06		98414 A3	
				chr				type CUSTOMER Drawing	
				appd	JM.C	07.11.06			
sheet index	revision sheet								