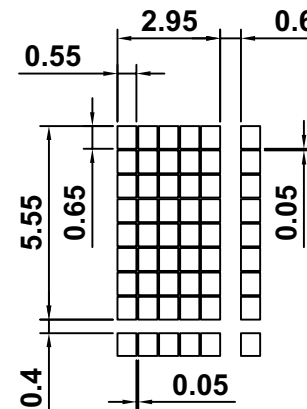
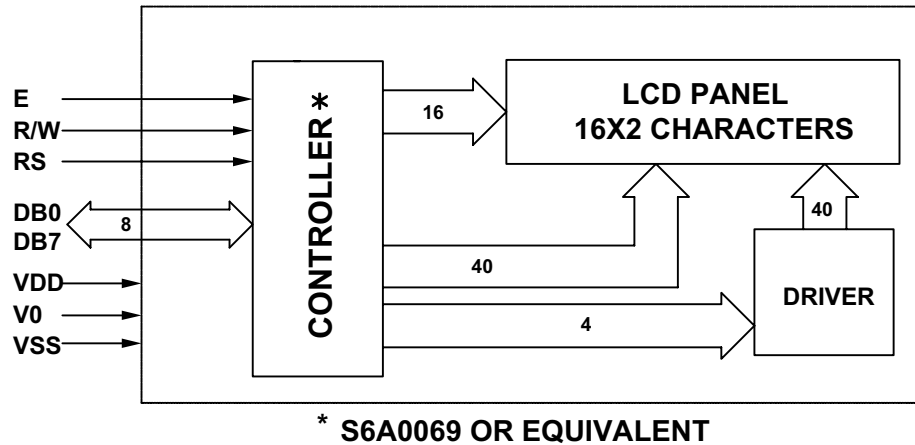
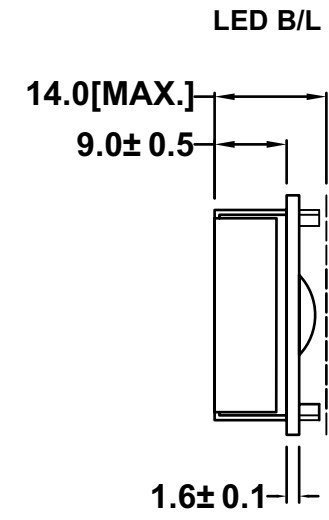
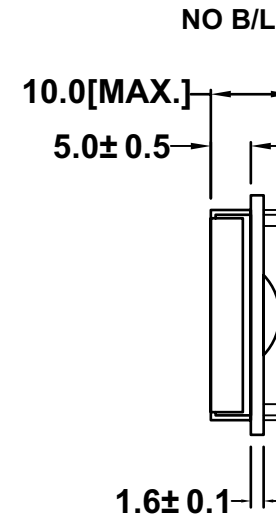
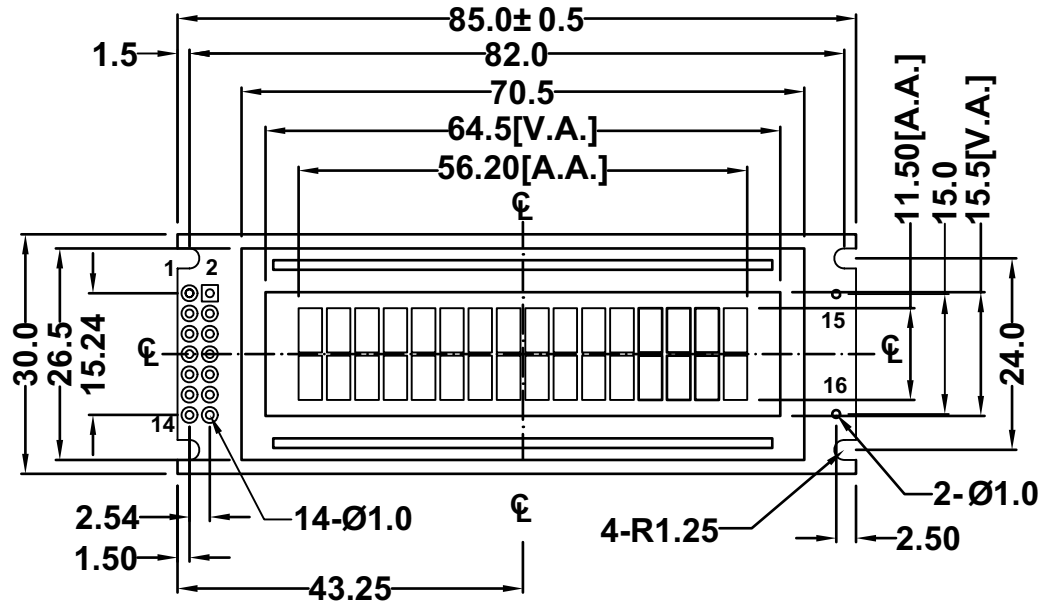




AMC1602I

Unmarked tolerance ±0.3



Pin No	Symbol	Pin No	Symbol
1	DB7	9	E
2	DB6	10	R/W
3	DB5	11	RS
4	DB4	12	V0
5	DB3	13	VSS
6	DB2	14	VDD
7	DB1	15	A
8	DB0	16	K