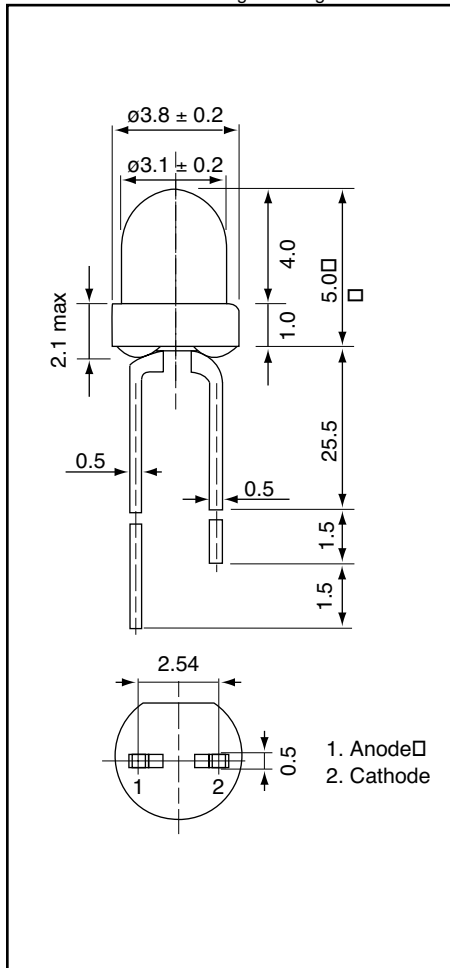




Weight: 0.30 g Unit: mm



AND123G

Standard LED

T-1 Package (3 mm)

Features

- Low power requirement
- Stand-off or flush-mount
- All plastic molded lens
- Color: GaP-Green

Optical Characteristics ($T_a = 25^\circ\text{C}$)

Part Number	Color		Lens Desc.	Axial Luminous Intensity (mcd)		Test Condition (I_F -mA)	Viewing Angle $2\theta_{1/2}$ (deg)
	LED	Lens		Min.	Typ.		
AND123G	Green	Green	Clear	20	50	10	50

Absolute Maximum Ratings ($T_a = 25^\circ\text{C}$)

Characteristics	Symbol	Rating	Unit
Forward Current (DC)	I_F	25	mA
Reverse Voltage	V_R	5	V
Power Dissipation	P_D	105	mW
Operating Temperature	T_{Opr}	-40 to +85	$^\circ\text{C}$
Storage Temperature Range	T_{Stg}	-40 to +85	$^\circ\text{C}$

Electro-Optical Characteristics ($T_a = 25^\circ\text{C}$)

Characteristics	Symbol	Test Condition	Green			Unit
			Min.	Typ.	Max.	
Forward Voltage	V_F	$I_F = 20\text{mA}$	-	2.1	2.5	V
Reverse Current	I_R	$V_R = 5\text{V}$	-	-	10	μA
Peak Emission Wavelength	λ_p	$I_F = 15\text{mA}$	-	565	-	nm
Spectral Line Half Width	λ	$I_F = 15\text{mA}$	-	30	-	nm

Precaution

Please be careful of the following:

1. Soldering temperature: 260°C max; Soldering time: 3 sec. max; Soldering portion of lead: up to 2 mm from the body of the device.
2. The lead can be formed up to 5 mm from the body of the device without forming stress. Soldering should be performed after the lead forming.

Product specifications contained herein may be changed without prior notice.

It is therefore advisable to contact Purdy Electronics before proceeding with the design of equipment incorporating this product.

