

Material:

- Contacts: Phosphor Bronze
- Insulator: PBT+30% G.F. UL-0, White
- Shell: Brass

Mechanical:

- Mating: 35N Max.
- Withdrawal Force: 10N Min.
- Durability: 1,500 Cycles Min.

Electrical:

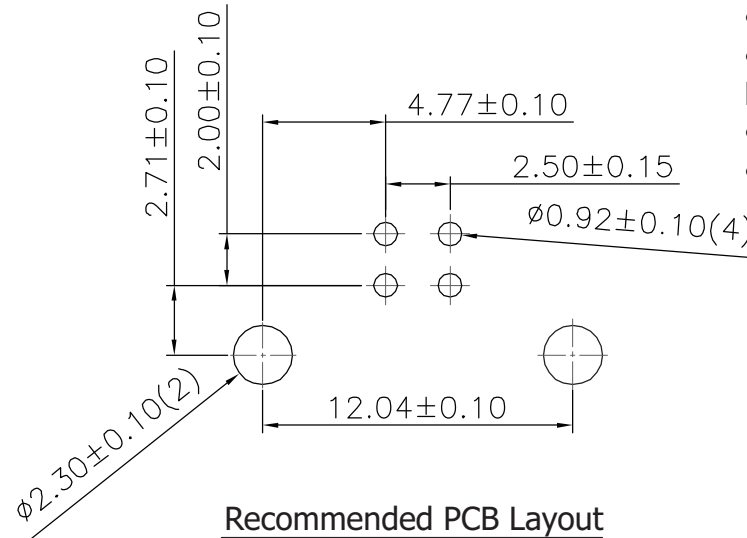
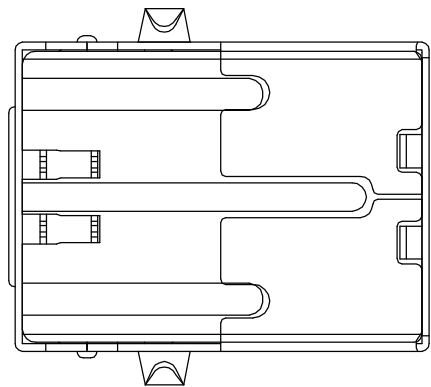
- Current - Max(Amps): 1.5A
- Voltage - Max(Volts): 30V
- Withstanding voltage: 500V AC
- Contact Resistance: 30MΩ Max.
- Insulation Resistance: 1,000MΩ Min.

Plating:

- Contacts: Gold Flash & Tin over Nickel plated
- Shell: Nickel over all plating

Environmental:

- Temperature: -55°C ~ +85°C
- Soldering Temperature: 223.3°C Max.



Recommended PCB Layout

Unit: MM±0.25MM

Ⓐ = Assmann logo



ITEM NO.	AU-Y1007-R
TITLE	USB 1.1 Type B Connector - for PCB Mounting, 5μ" Gold, White Insulator

ASSMANN
Electronics, Inc.

1840 W. Drake Drive, Suite 101 • Tempe, AZ 85283
Toll Free: 1-877-277-6266 • Email: info@usa-assmann.com

THIS DRAWING IS UNPUBLISHED
©Copyright 2011 by Assmann Electronic Components
All International Rights Reserved