

**(2,54mm) .100"**  
**BSW SERIES**

# BOTTOM MOUNT SOCKET STRIPS

**Mates with:**  
 TSW, MTSW, MTLW,  
 EW, ZW, TSM

## FEATURES

- Bottom mount socket strips accept .025" SQ terminals.
- Ideal for soldering and plugging from the same side of the board.
- For low profile connections and high temperature soldering.

## SPECIFICATIONS

For complete specifications and recommended PCB layouts see [www.samtec.com?BSW](http://www.samtec.com?BSW)

**Insulator Material:**

Black High Temperature Thermoplastic



**Insulation Resistance:**

5000 MΩ min



**Contact Material:**

Phosphor Bronze

**Plating:**

Au or Sn over

50μ" (1,27μm) Ni

**Current Rating:**

3A

**Operating Temp Range:**

-55°C to +125°C with Gold

-55°C to +105°C with Tin

**Withstanding Voltage:**

1000 VRMS @ 60 Hz

**Contact Resistance:**

10 mΩ max

**Insertion Depth:**

(3,68mm) .145" to

(6,35mm) .250"

**Insertion Force:**

(Single contact only)

Standard = 8oz (2,23N) avg.

Low Insertion Force = 3oz

(0,83N) avg.

**Withdrawal Force:**

(Single contact only)

Standard = 8oz (2,23N) avg.

Low Insertion Force = 3oz

(0,83N) avg.

**RoHS Compliant:**

Yes

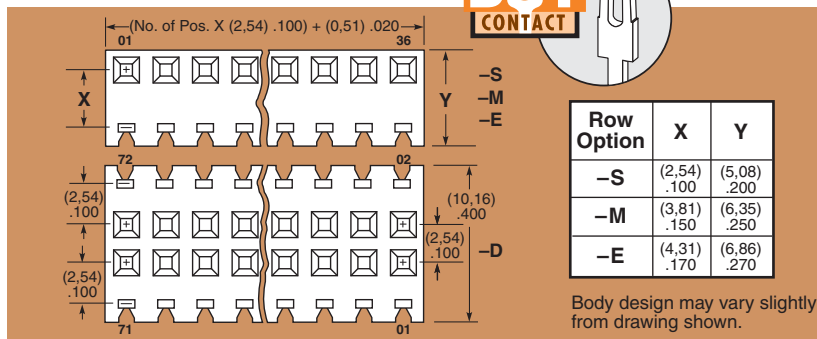
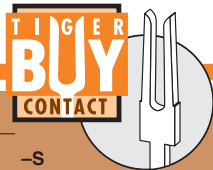
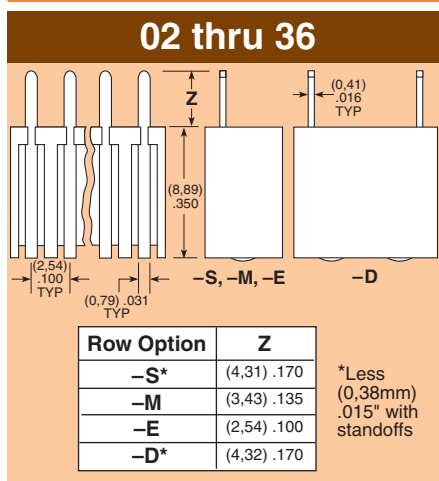
**Lead-Free Solderable:**

Wave only

**Note:** Other Gold plating options available. Contact Samtec.

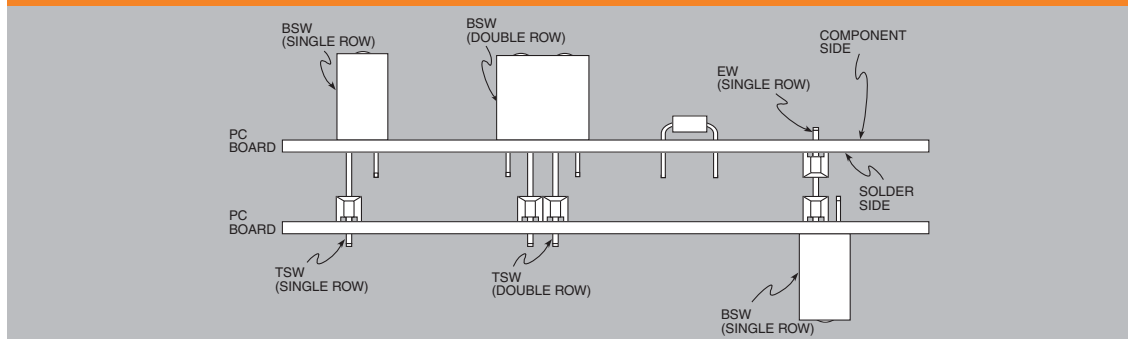
**Note:** Some lengths, styles and options are non-standard, non-returnable.

<b>BSW</b>	<b>1</b>	<b>NO. PINS PER ROW</b>	<b>LEAD STYLE</b>	<b>PLATING OPTION</b>	<b>ROW OPTION</b>	<b>OTHER OPTION</b>
			<b>-04</b> = Standard Lead	<b>-L</b> = 10μ" (0,25μm) Gold contact, Matte Tin on tail		<b>-S</b> = Standoffs for single and double rows only.
			<b>-24</b> = Low Insertion Force	<b>-G</b> = 20μ" (0,51μm) Gold contact, Gold Flash on tail		
				<b>-T</b> = Matte Tin (N/A with Low Insertion Force)		(-S & -D only)



- S** = Single Row
- M** = Single Row More Plug Space
- E** = Single Row Extended Plug Space
- D** = Double Row

## APPLICATIONS



Due to technical progress, all designs, specifications and components are subject to change without notice.

[WWW.SAMTEC.COM](http://WWW.SAMTEC.COM)